

## Horizon Outdoor Blind Installation Guide

Read this guide and review shop drawings and notes before beginning installation.

All packages should be opened and inspected for hidden damage upon receipt. Any missing or damaged components should be noted on the delivery receipt with the carrier before accepting the shipment. Repackage all components and carefully store in an area protected from the weather until ready for installation. Handle materials so as to protect materials, coatings, fabric and finishes during transportation and installation to prevent damage or staining.

It is the responsibility of the installer to meet or exceed all code and safety requirements, and to obtain all required building permits. These instructions are only a guide, and may not address every circumstance. The installer should determine and implement appropriate installation techniques for each situation. Structureworks shall not be held liable for improper or unsafe installations.

### Recommended Tools

The tools required for installation will vary depending on structure configuration and the hardware used. Review shop drawings to confirm drill bit sizes, socket sizes, and other project specific tools.

- Pencil
- 4' Level
- 8' Ladder (2)
- Tape Measure
- Drill & Drill Bits
- Impact Driver & Bits
- Phillips Screwdriver
- Metric Allen Wrench Set
- Heavy Duty Cable Cutters

### Use and Maintenance

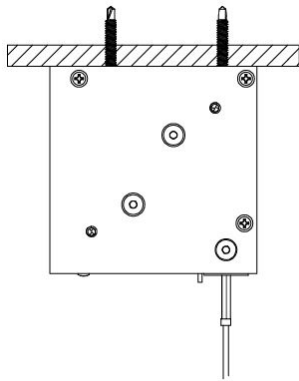
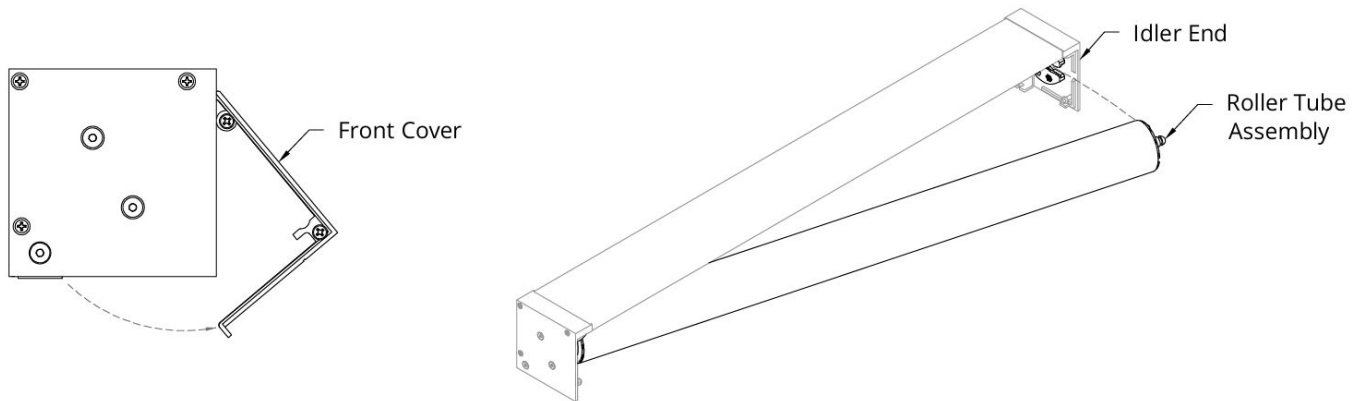
- Do not use the blind in rain or high winds.
- If the fabric is retracted when wet, extend the fabric to dry as soon as possible.
- All components should be inspected annually for wear and adjusted as needed.
- Rinsing the blind fabric once a month with a low pressure hose is the most effective way to reduce dirt accumulation. Ensure the fabric has dried fully before retracting the blind.
- Fabric Cleaning: Remove dirt with a soft brush, then spray the fabric with water using a low pressure hose. Next, prepare a solution of solvent free soap in warm water and apply it to the fabric evenly. Then, scrub the fabric with a soft brush allowing the solution to penetrate the fabric. Finally, rinse with water and let dry. For more aggressive cleaning, substitute the soap solution for a solution of 70% water, 20% solvent-free soap, and 10% bleach. Apply the solution to the fabric and allow it to sit for 15 minutes. Then, rinse the fabric thoroughly to fully remove the solution and let dry.

## Mount Cassette

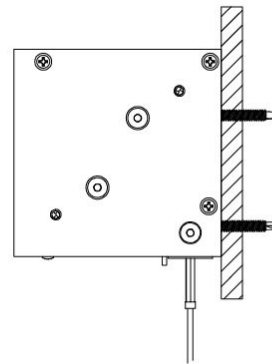
Remove the front cover and roller tube assembly from the cassette and set aside.

The cassette assembly may be mounted to the host structure using a face mount, top mount, or side mount. Secure to the host structure using hardware appropriate for the mounting surface.

Install fasteners approximately 6 inches from each end and spaced no more than 4 feet apart along the width. Ensure it is fastened to structural members capable of supporting the loads of the assembled blind.



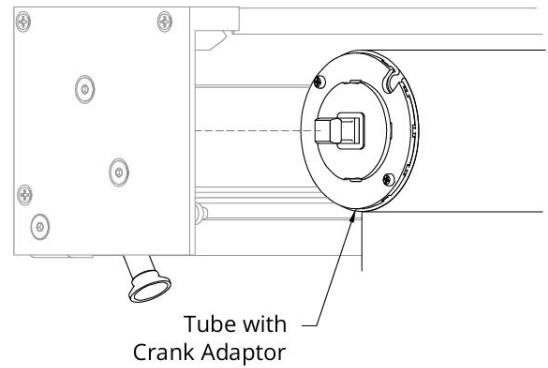
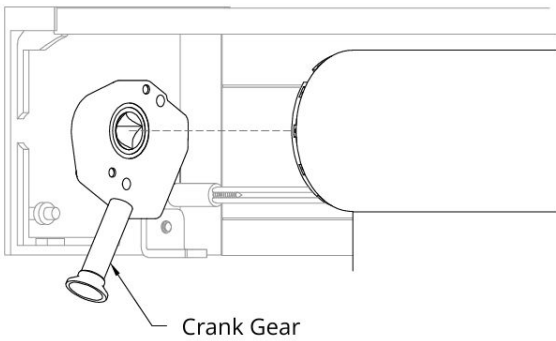
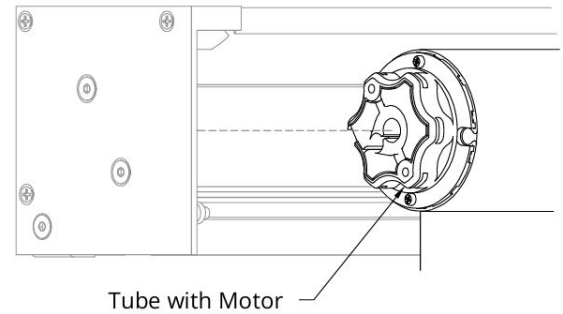
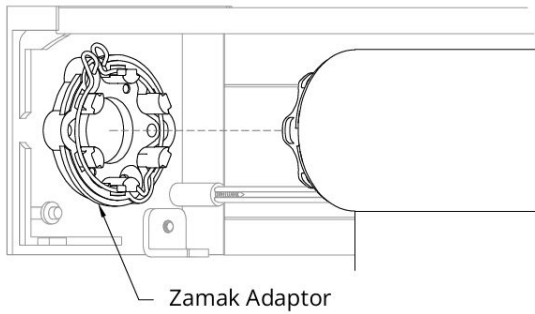
**Top Mount**



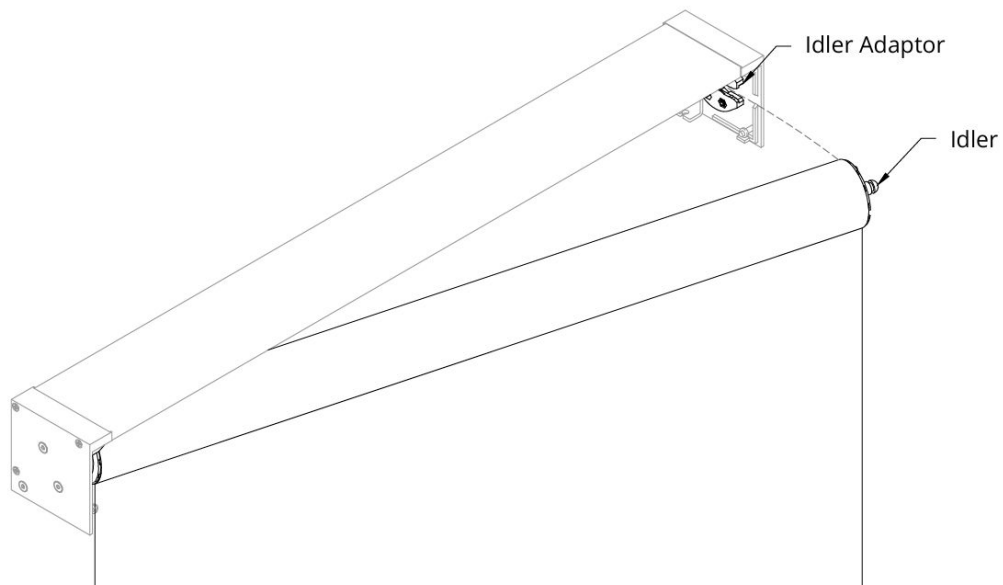
**Side Mount**

## Install Roller Tube

For motor controlled blinds, drill a 3/8" hole in the end plate or cassette back and route the motor wire through the opening. Insert the motor end of the roller tube into the Zamak adaptor. For crank-controlled blinds, insert the crank adaptor into the crank gear.

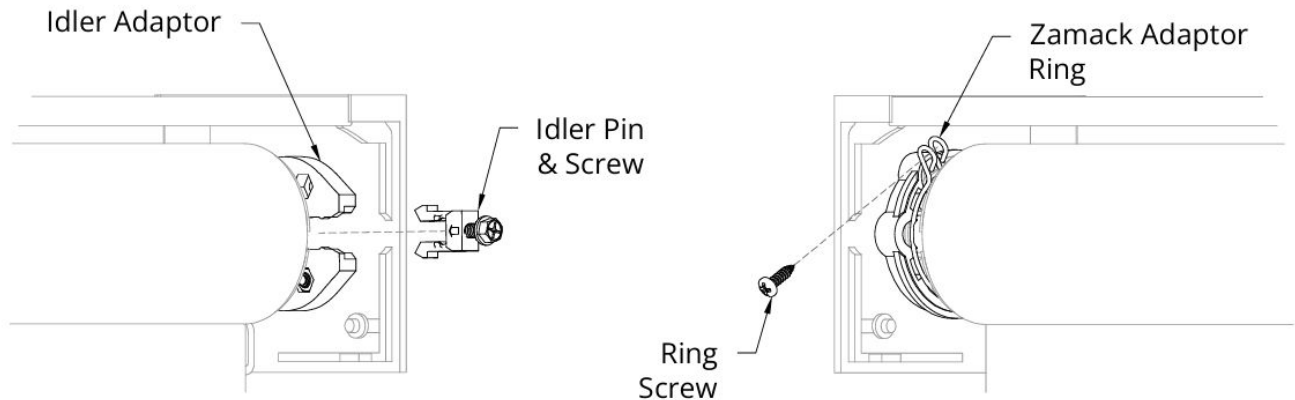


Pivot the roller tube and align the idler inside the idler adaptor.



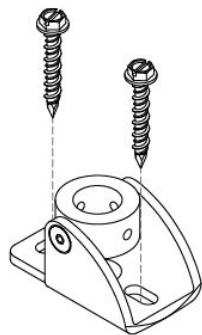
## Secure Roller Tube

Secure the idler end of the roller tube by inserting the pin into the open end of the idler adaptor and fully tightening the screw. For motor-controlled installations, secure the motor end of the roller tube by installing the screw into the adapter ring and fully tightening it.

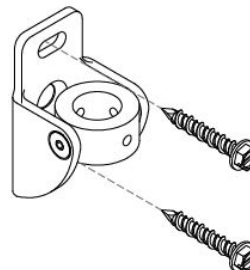


## Install Guide Brackets - Wire Guided Blinds

Determine the guide bracket locations using the dimensions shown in the shop drawings. The guide brackets may be installed in either a horizontal or vertical orientation, depending on the installation type. Secure the brackets using hardware appropriate for the mounting surface.



**Horizontal Mount**



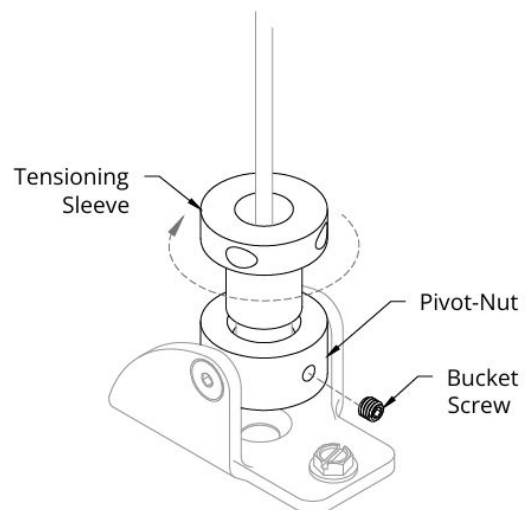
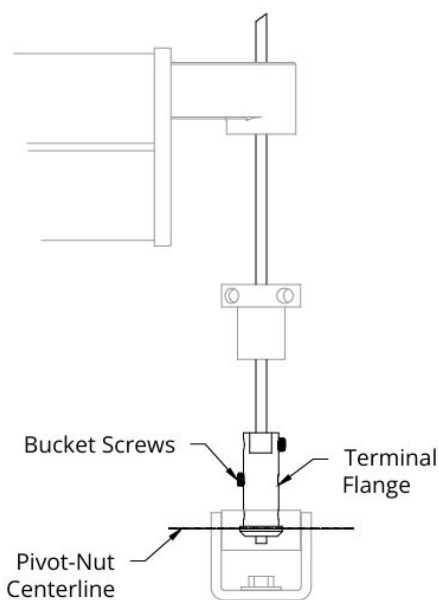
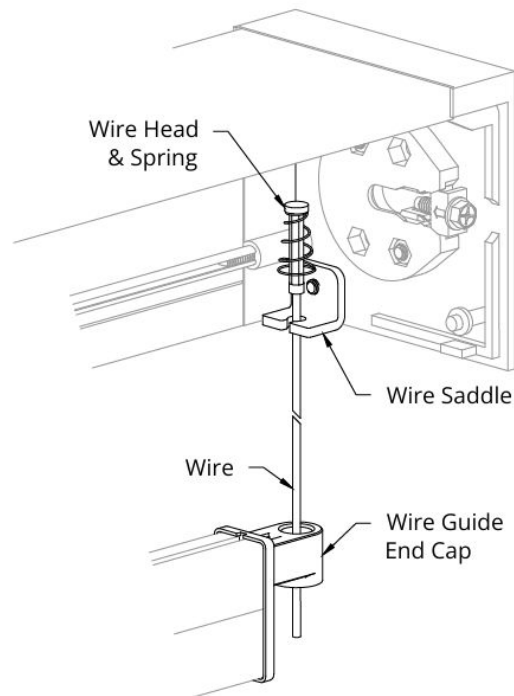
**Vertical Mount**

## Install Guides - Wire Guided Blinds

Position the wire head and spring inside the wire saddle, then thread the wire end through the wire guide end cap, tensioning sleeve and the terminal flange.

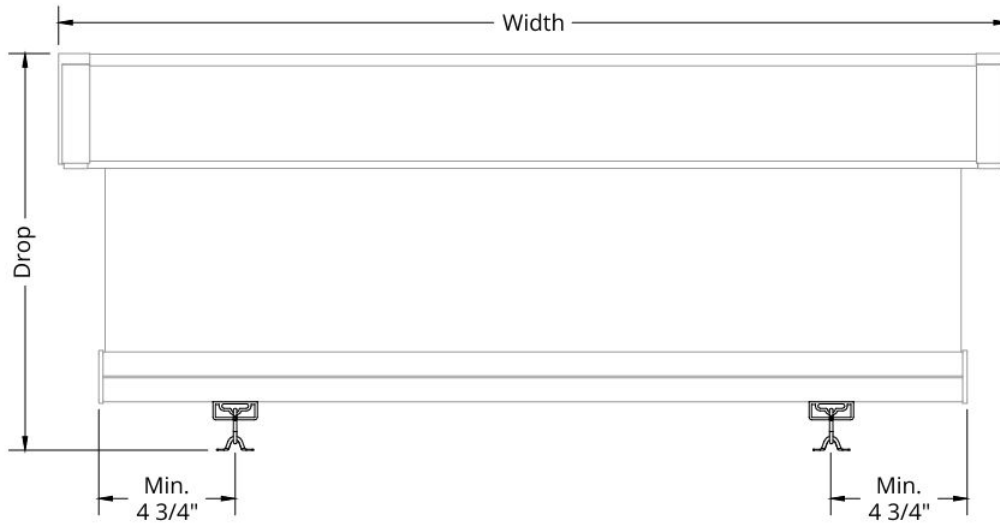
Position the terminal flange approximately centered on the pivot nut and pull the wire taught. Secure the terminal flange to the wire at this location by tightening the bucket screws. Trim any excess wire.

Position the tensioning sleeve over the terminal flange and thread into the pivot nut. An allen key can be used to rotate the tensioning sleeve. Once the wire is taught, secure the tensioning sleeve in place with the bucket screw.



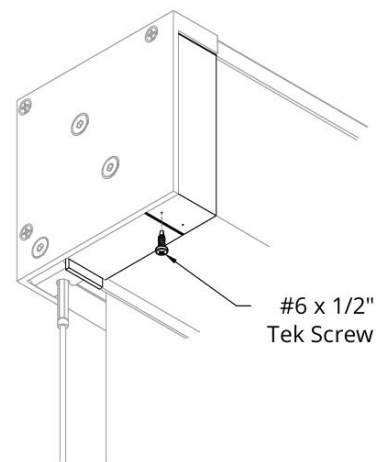
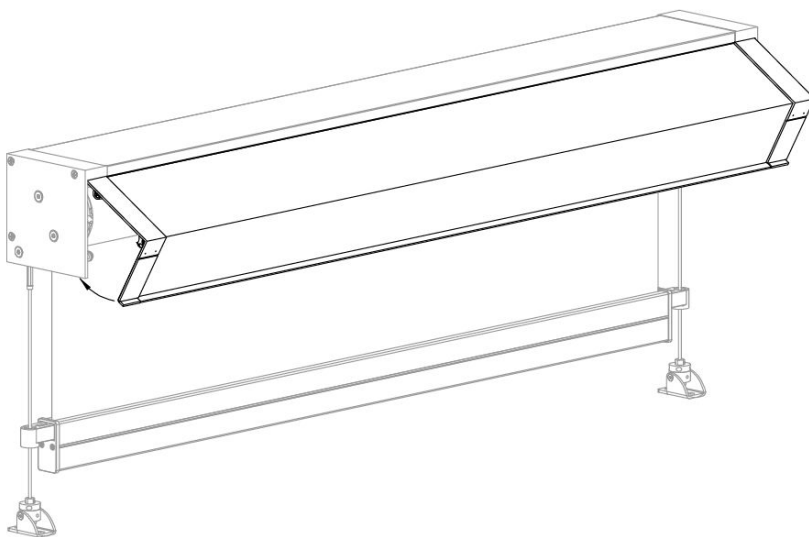
## Install Guides - Surface Clip Blinds

Determine the desired location of the surface clip guides. Secure using hardware appropriate for the mounting surface.



## Install Front Cover

Install the front cover onto the blind assembly and secure at each end with screws.



## Connect Motor to Power

Connect the motor pigtail to a junction box or terminate with a plug and connect to a receptacle. The motor must be connected to 120V AC power. Material for electrical connection is not included.

The motor draws a maximum of 1.3 amps when in operation. Multiple motors can be connected to the same circuit as long as normal loading requirements are followed.

## Program Motor

1. Press and hold the UP and DOWN buttons simultaneously until the motor jogs.
2. Check motor direction using UP or DOWN. If direction is incorrect, press and hold the MY button until the motor jogs, then recheck.
3. Press and release DOWN to extend the blind to the desired lower limit. Press and hold UP and MY until the motor moves to save the position.
4. Press MY to stop the blind near the cassette. Use UP to fine-adjust the upper limit. Press and hold MY and DOWN until the motor moves to save.
5. Move the blind to approximately the midpoint, use MY to stop. Press and hold MY until the motor jogs to confirm saved limits.
6. Exit programming by pressing and holding the PROG button on the back of the remote until the motor jogs. Verify operation by fully extending and retracting the blind.

## Program MY Position

1. Use UP or DOWN to move the blind to the desired My position.
2. Press MY/STOP to stop the blind at the selected position.
3. Press and hold MY/STOP until the motor jogs to save the position.

## Adjust Lower Limit

1. Press DOWN to move the blind to the current lower limit.
2. Press and hold UP and DOWN until the blind jogs.
3. Adjust to the new lower limit using UP or DOWN.
4. Press and hold MY/STOP until the motor jogs to save the new limit.