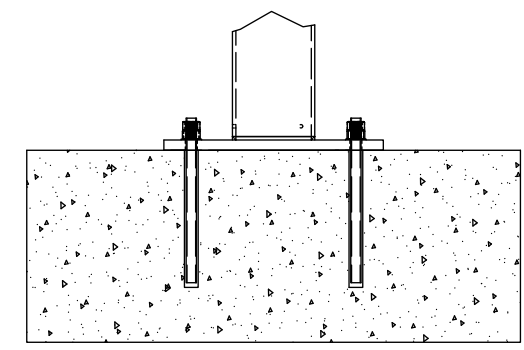
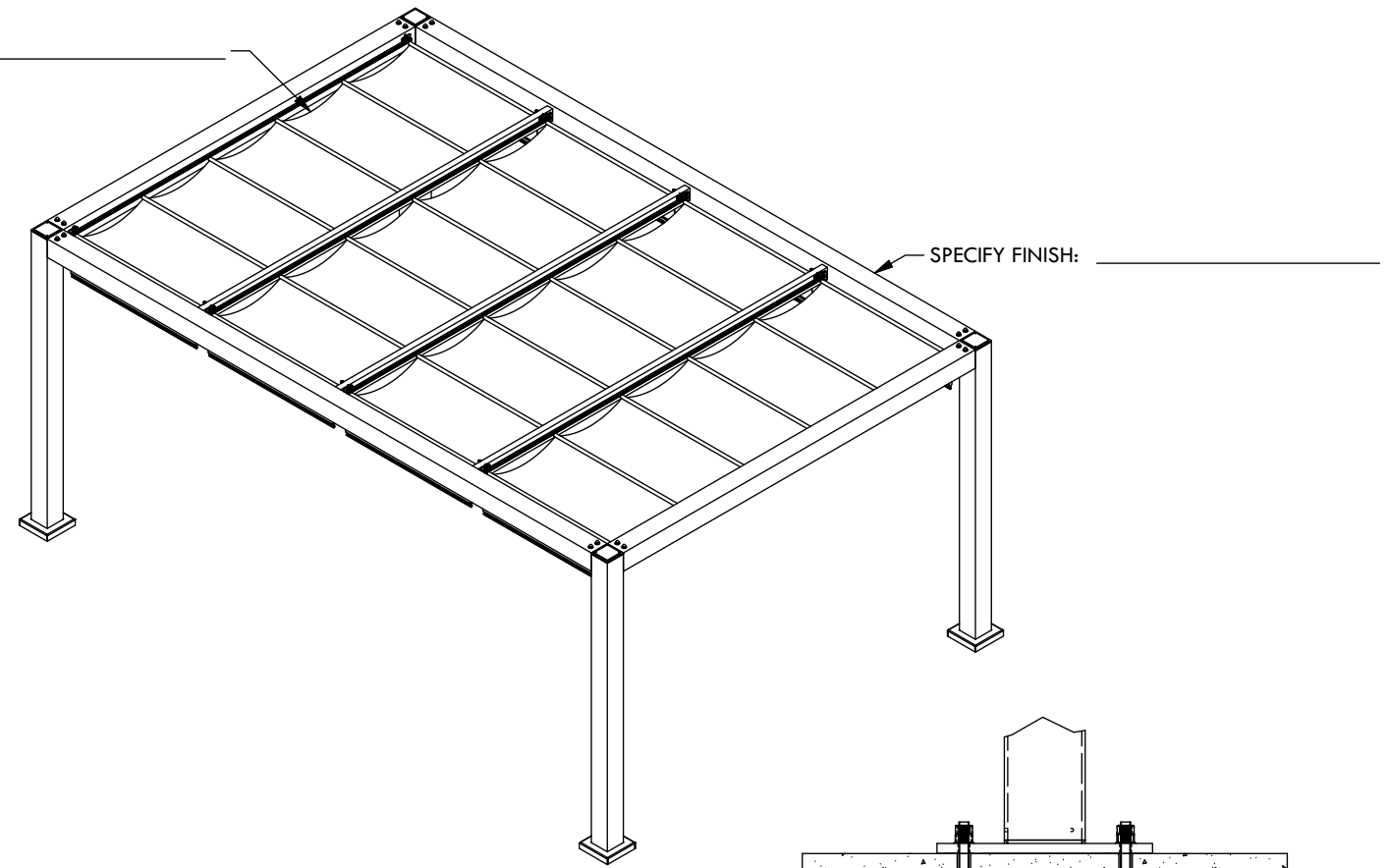
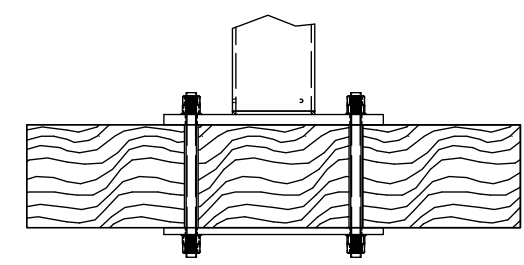


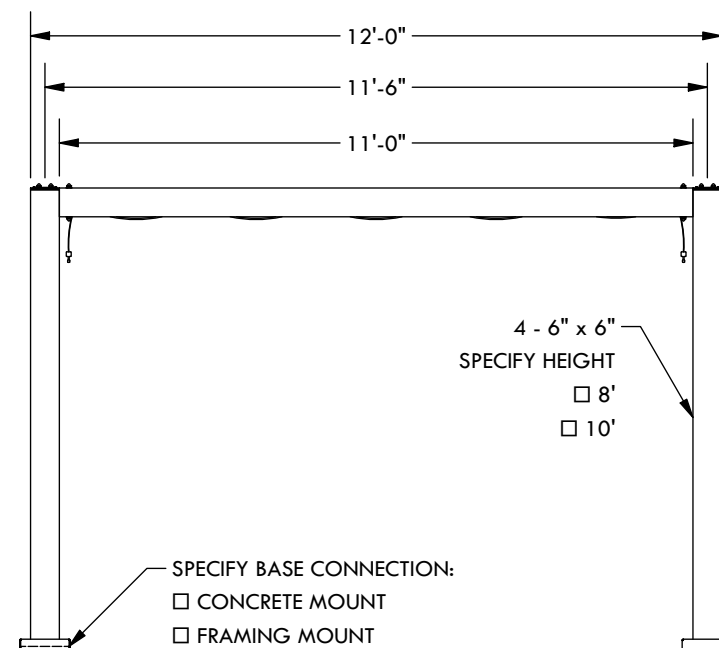
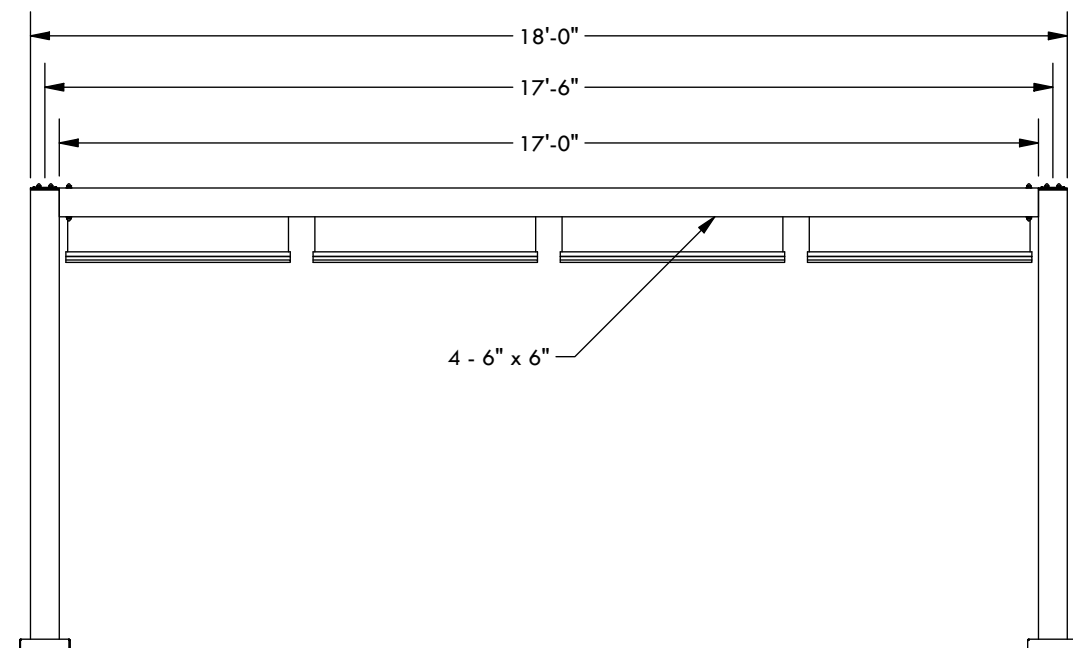
SPECIFY FABRIC: _____



CONCRETE MOUNT



FRAMING MOUNT



DESCRIPTION			
18' WIDE X 12' PROJECTION FREESTANDING BREEZE			
REV	BY	DESCRIPTION	DATE
	MH	INITIAL RELEASE	5/12/2025
STRUCTUREWORKS™			
www.structureworks.com 877.489.8064			

© 2025 Structureworks