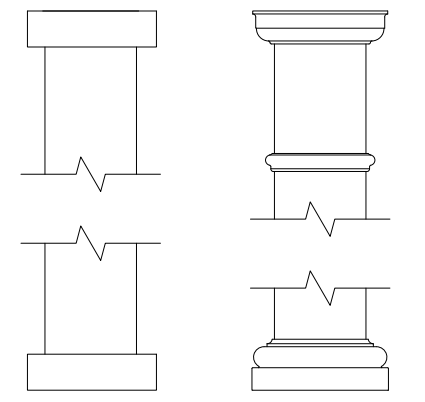


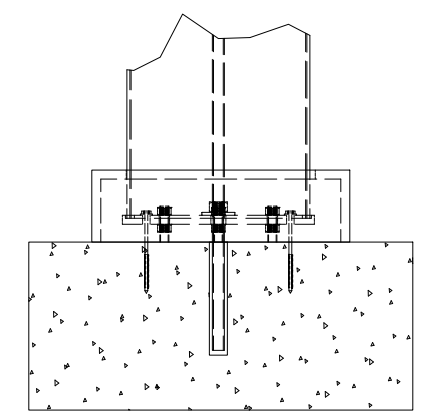
SPECIFY FINISH - STRUCTURE:  
 UNPAINTED WHITE  
 COLORLAST: \_\_\_\_\_

SPECIFY FINISH - COLUMN: \_\_\_\_\_

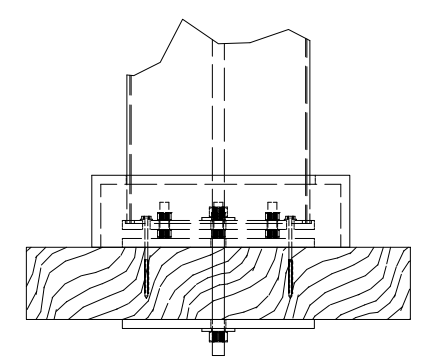
SPECIFY BASE CONNECTION:  
 CONCRETE MOUNT  
 FRAMING MOUNT



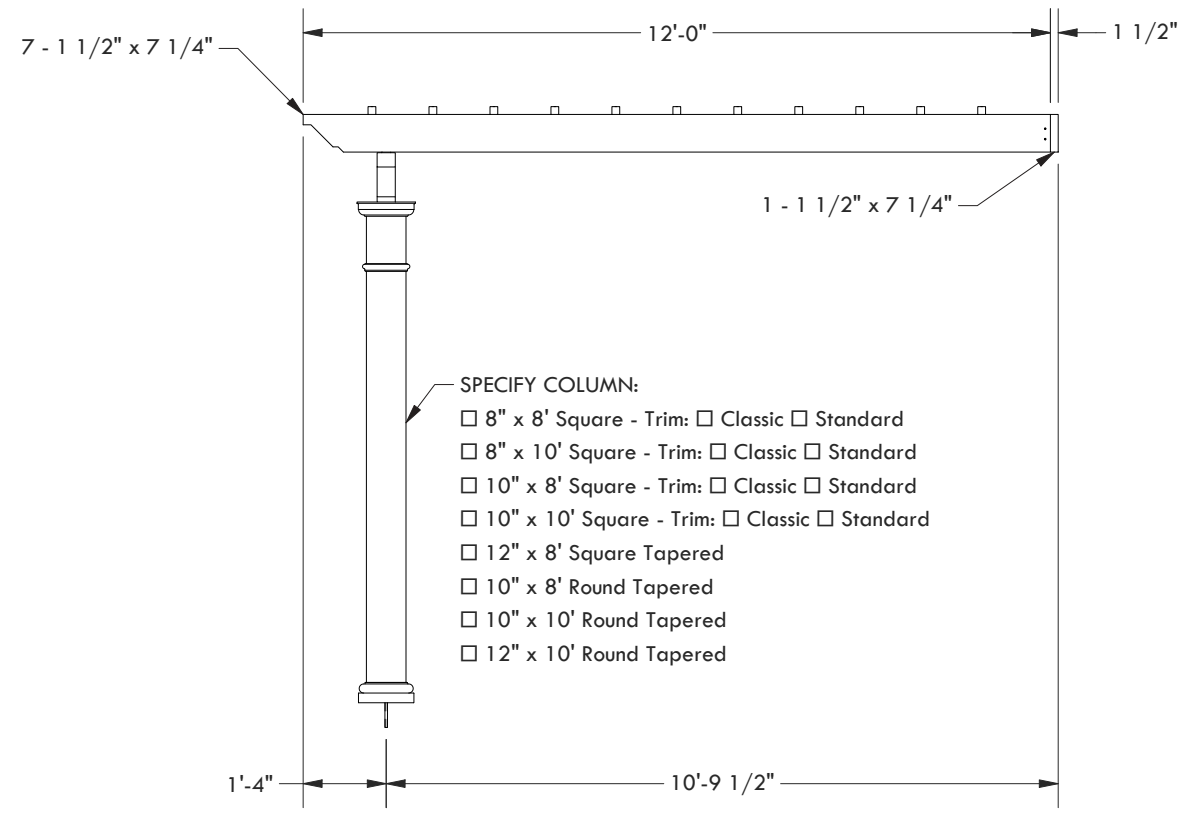
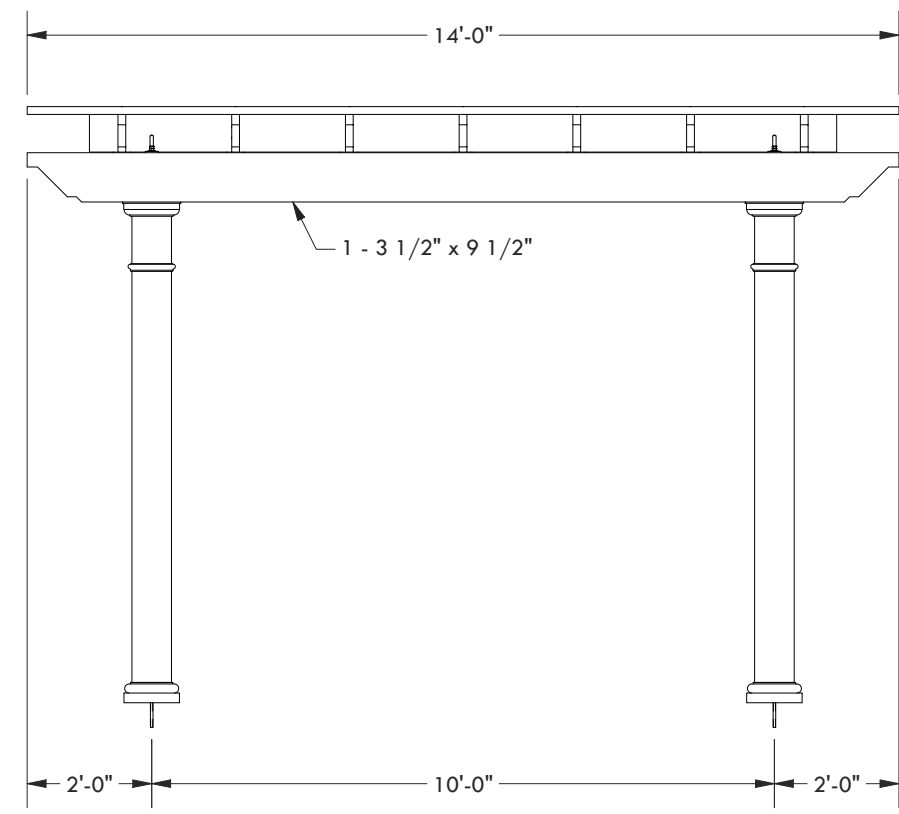
CLASSIC TRIM STANDARD TRIM



CONCRETE MOUNT



FRAMING MOUNT



SPECIFY COLUMN:  
 8" x 8" Square - Trim:  Classic  Standard  
 8" x 10' Square - Trim:  Classic  Standard  
 10" x 8' Square - Trim:  Classic  Standard  
 10" x 10' Square - Trim:  Classic  Standard  
 12" x 8' Square Tapered  
 10" x 8' Round Tapered  
 10" x 10' Round Tapered  
 12" x 10' Round Tapered

© 2021 Structureworks

DESCRIPTION			
<b>14' WIDE X 12' PROJECTION ATTACHED TREX PERGOLA</b>			
REV	BY	DESCRIPTION	DATE
1	NB	INITIAL RELEASE	03/31/21
<b>Trex Pergola™</b>			
www.trexpergola.com 888.908.4965			