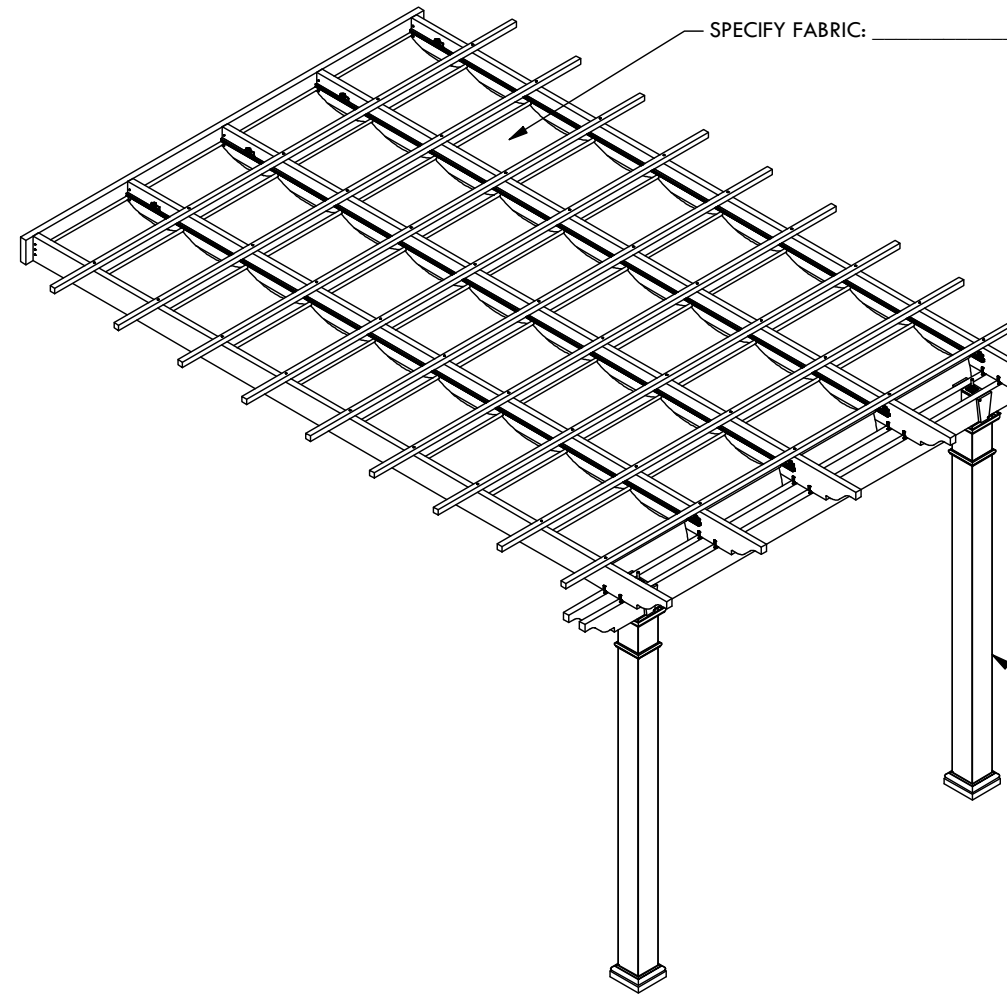


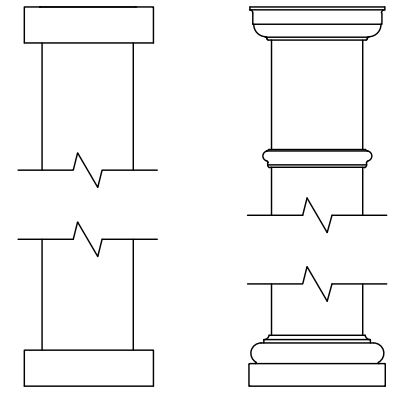
**PLAN VIEW**



SPECIFY FABRIC: \_\_\_\_\_

SPECIFY END STYLE:

- ARCADIA
- BELMONT
- CLASSIC
- CLIP
- COAST
- FLAT
- SLIGHT
- TRADITIONAL

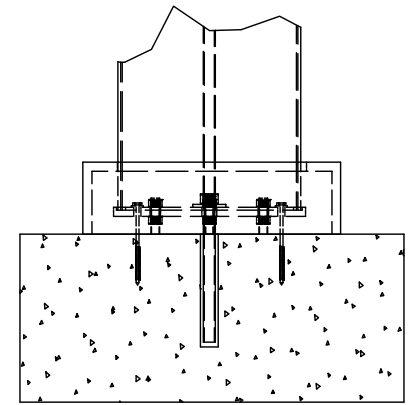


**CLASSIC TRIM**

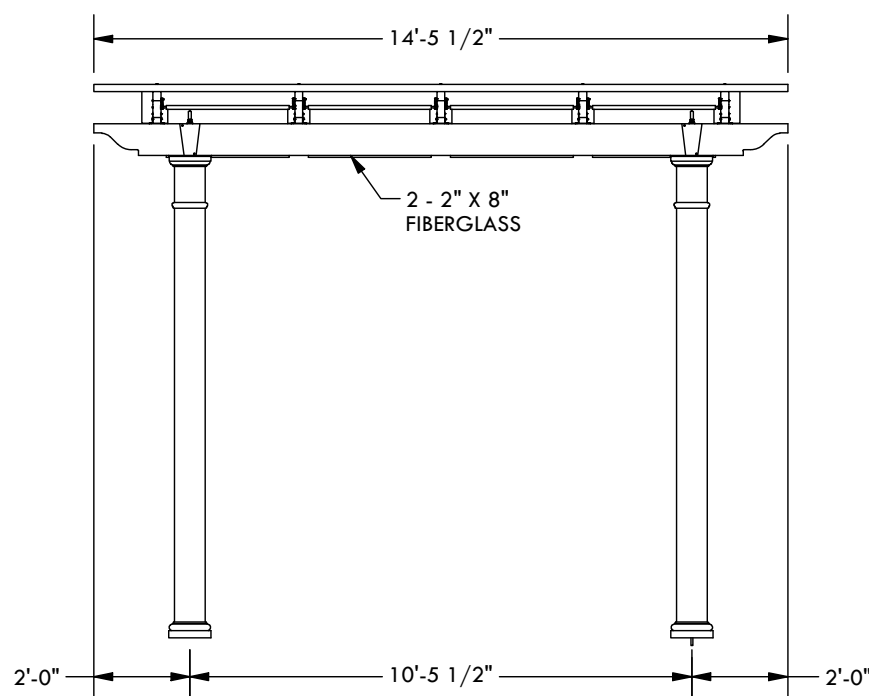
**STANDARD TRIM**

SPECIFY FINISH:

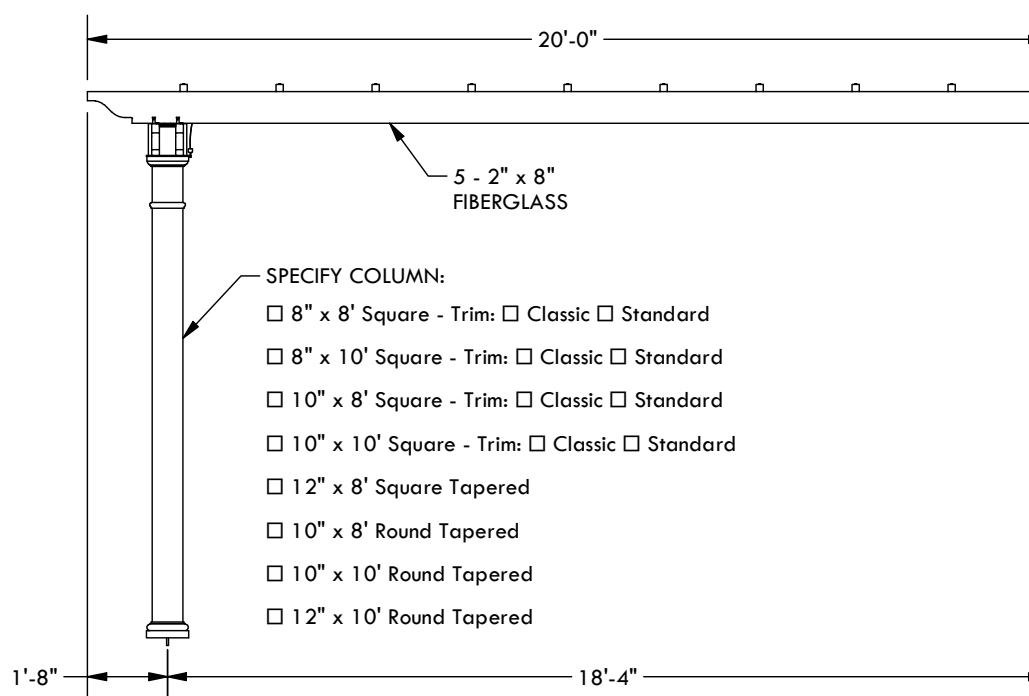
- CLASSIC WHITE
- DRIFT
- FOREST BROWN
- WALNUT
- GRANITE
- GRAPHITE
- MEDITERRANEAN
- MIST
- WALNUT



**CONCRETE MOUNT**



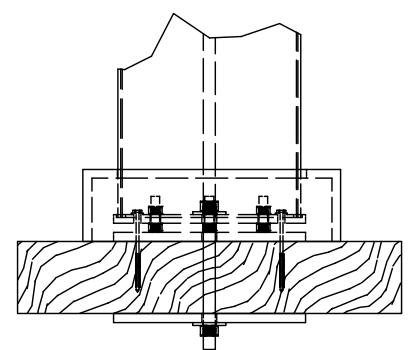
**WIDTH ELEVATION**



**PROJECTION ELEVATION**

SPECIFY COLUMN:

- 8" x 8' Square - Trim:  Classic  Standard
- 8" x 10' Square - Trim:  Classic  Standard
- 10" x 8' Square - Trim:  Classic  Standard
- 10" x 10' Square - Trim:  Classic  Standard
- 12" x 8' Square Tapered
- 10" x 8' Round Tapered
- 10" x 10' Round Tapered
- 12" x 10' Round Tapered



**FRAMING MOUNT**

DESCRIPTION			
<b>14' WIDE X 20' PROJECTION ATTACHED WINDSOR</b>			
REV	BY	DESCRIPTION	DATE
	CL	INITIAL RELEASE	1/13/2026

© 2026 Structureworks

**STRUCTUREWORKS™**

www.structureworks.com 877.489.8064