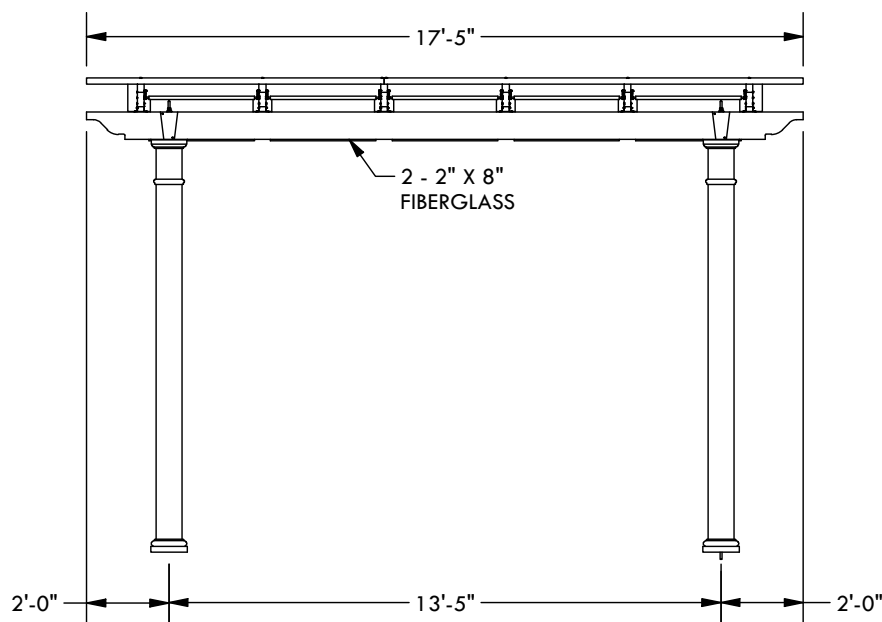
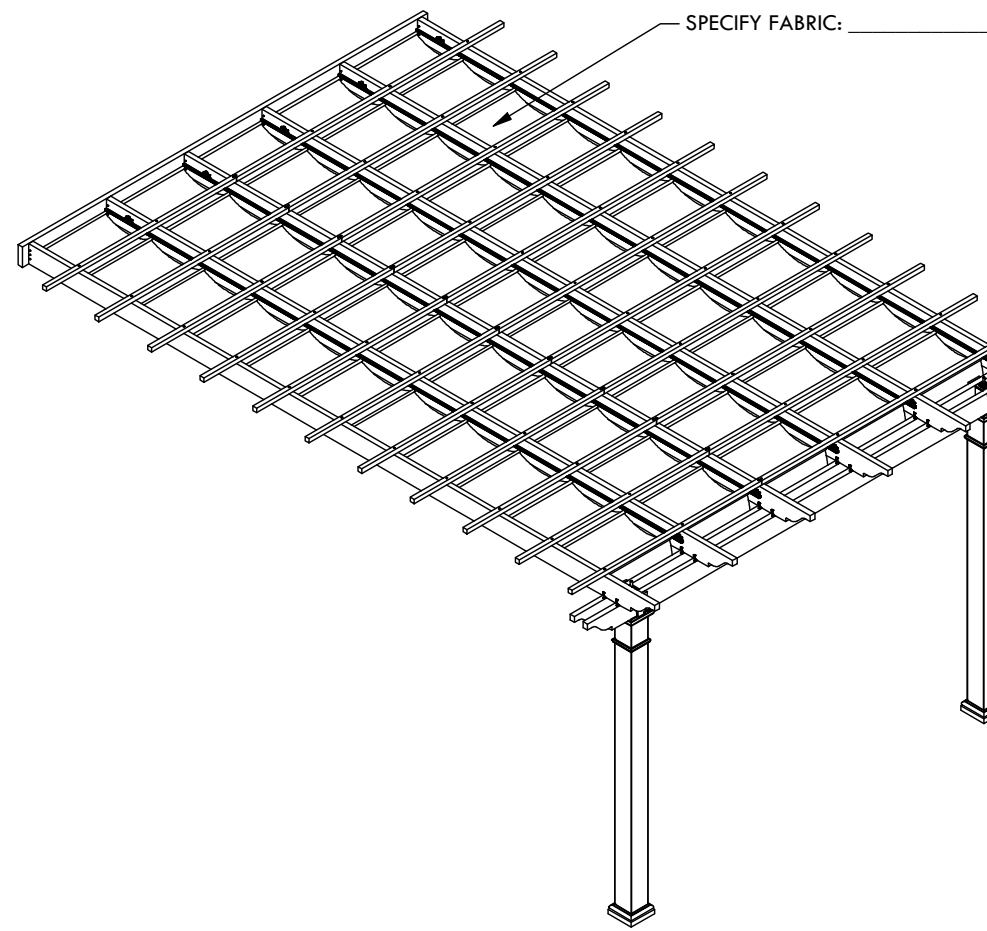


PLAN VIEW

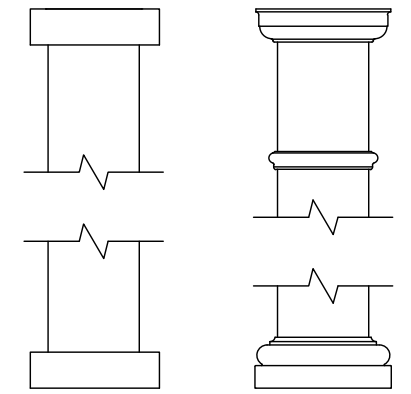


WIDTH ELEVATION



SPECIFY END STYLE:

- ARCADIA
- BELMONT
- CLASSIC
- CLIP
- COAST
- FLAT
- SLIGHT
- TRADITIONAL

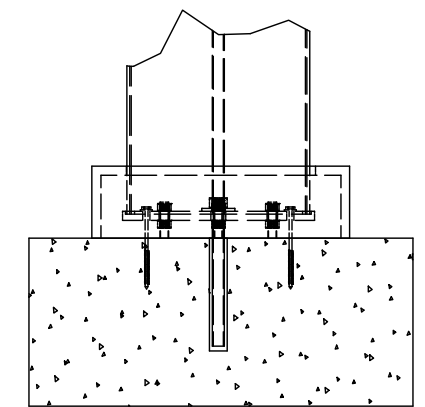


CLASSIC TRIM

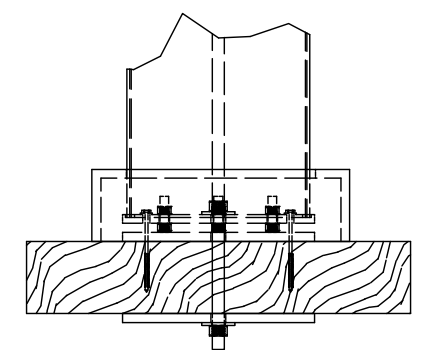
STANDARD TRIM

SPECIFY FINISH:

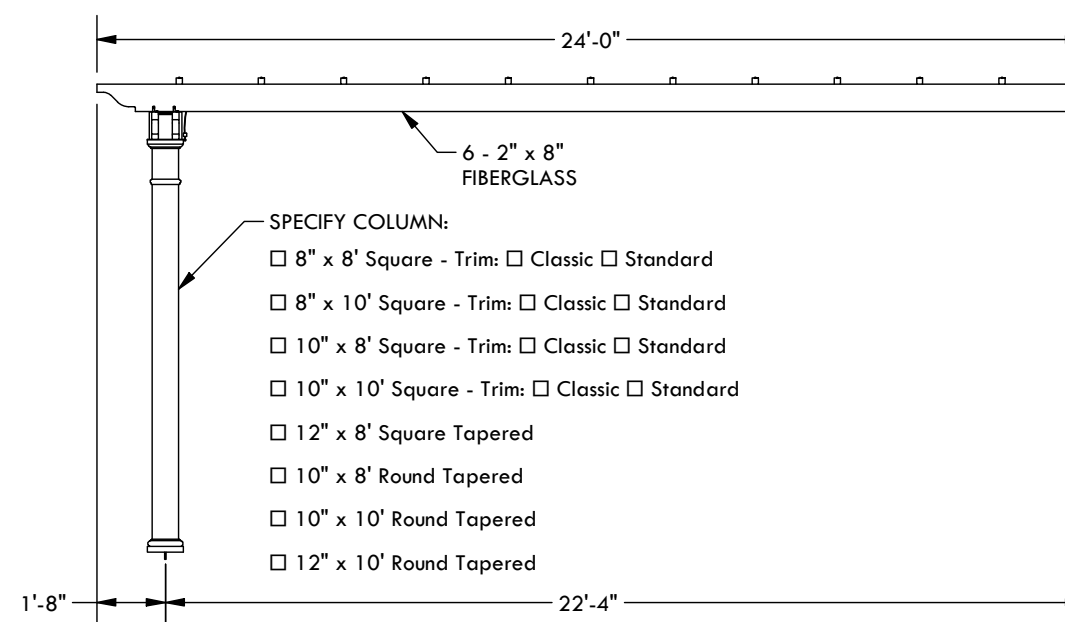
- CLASSIC WHITE
- DRIFT
- FOREST BROWN
- WALNUT
- GRANITE
- GRAPHITE
- MEDITERRANEAN
- MIST
- WALNUT



CONCRETE MOUNT



FRAMING MOUNT



PROJECTION ELEVATION

SPECIFY COLUMN:

- 8" x 8' Square - Trim:  Classic  Standard
- 8" x 10' Square - Trim:  Classic  Standard
- 10" x 8' Square - Trim:  Classic  Standard
- 10" x 10' Square - Trim:  Classic  Standard
- 12" x 8' Square Tapered
- 10" x 8' Round Tapered
- 10" x 10' Round Tapered
- 12" x 10' Round Tapered

DESCRIPTION			
<b>17' WIDE X 24' PROJECTION ATTACHED WINDSOR</b>			
REV	BY	DESCRIPTION	DATE
	CL	INITIAL RELEASE	1/13/2026

© 2026 Structureworks

**STRUCTUREWORKS™**

www.structureworks.com 877.489.8064