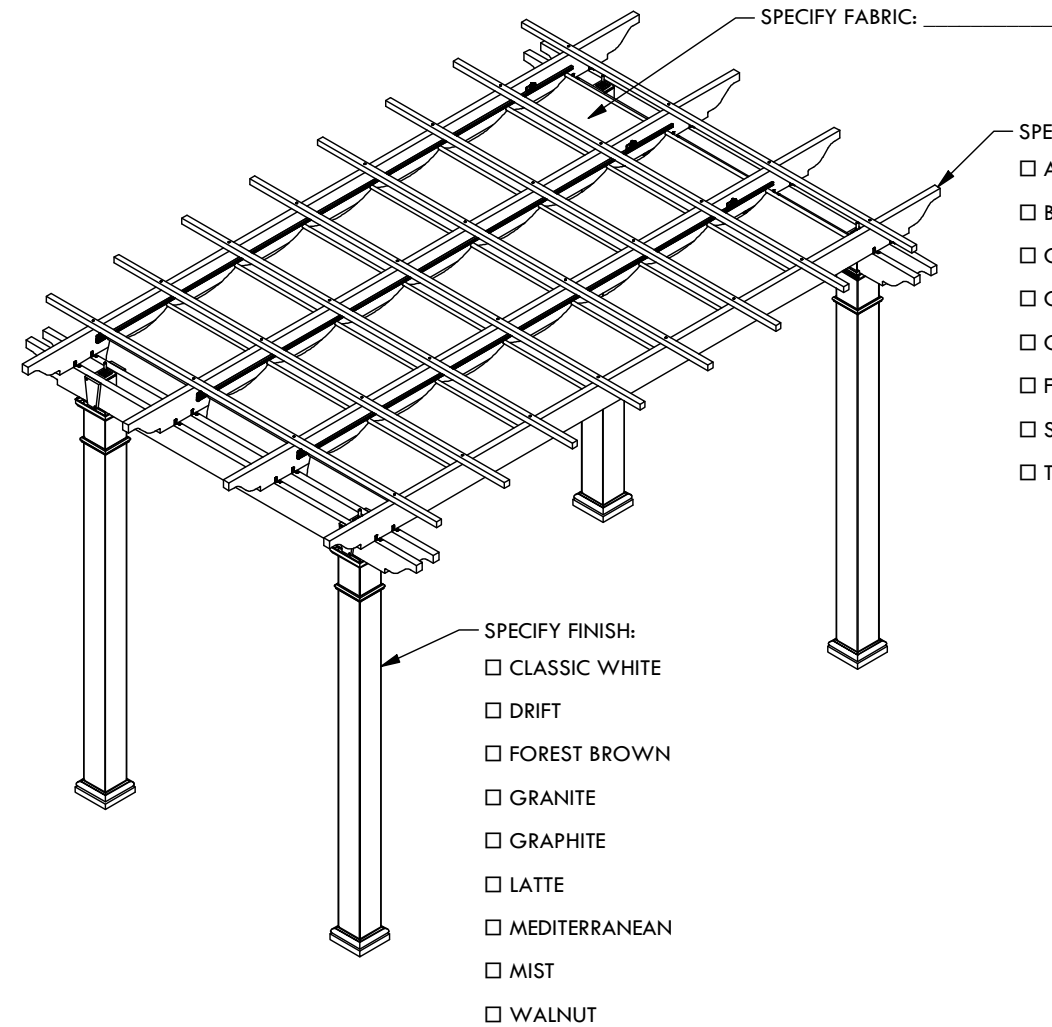
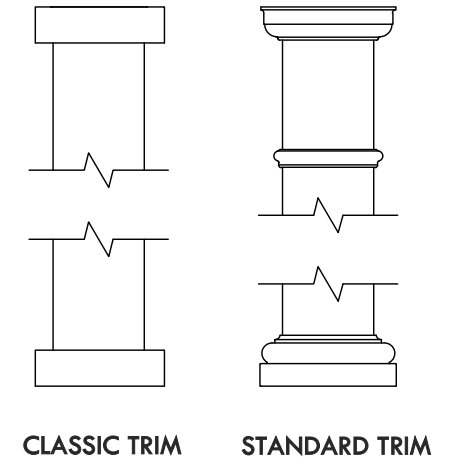


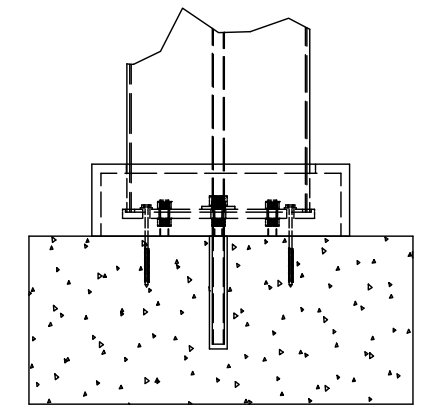
PLAN VIEW



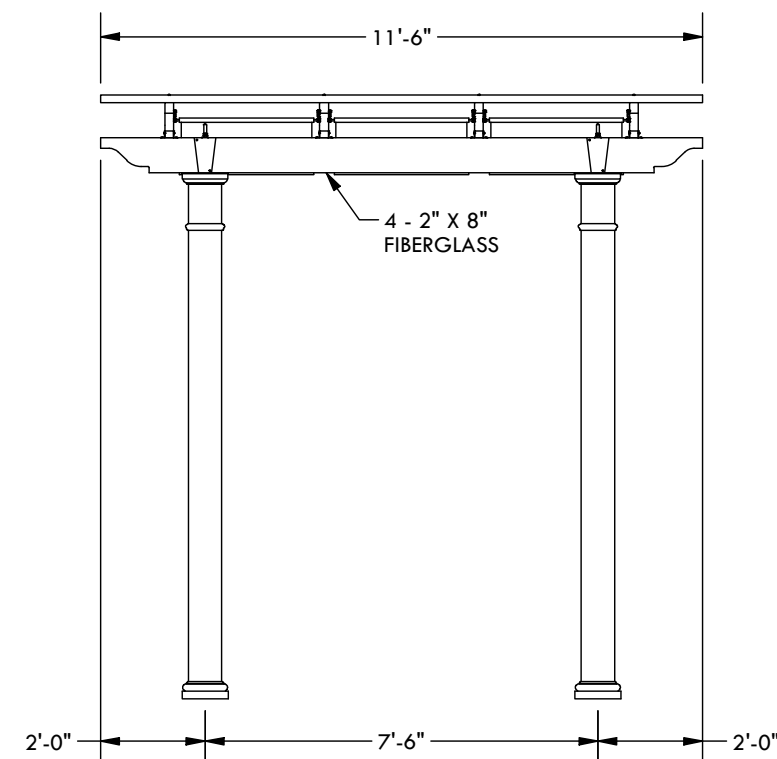
- SPECIFY END STYLE:**
- ARCADIA
 - BELMONT
 - CLASSIC
 - CLIP
 - COAST
 - FLAT
 - SLIGHT
 - TRADITIONAL



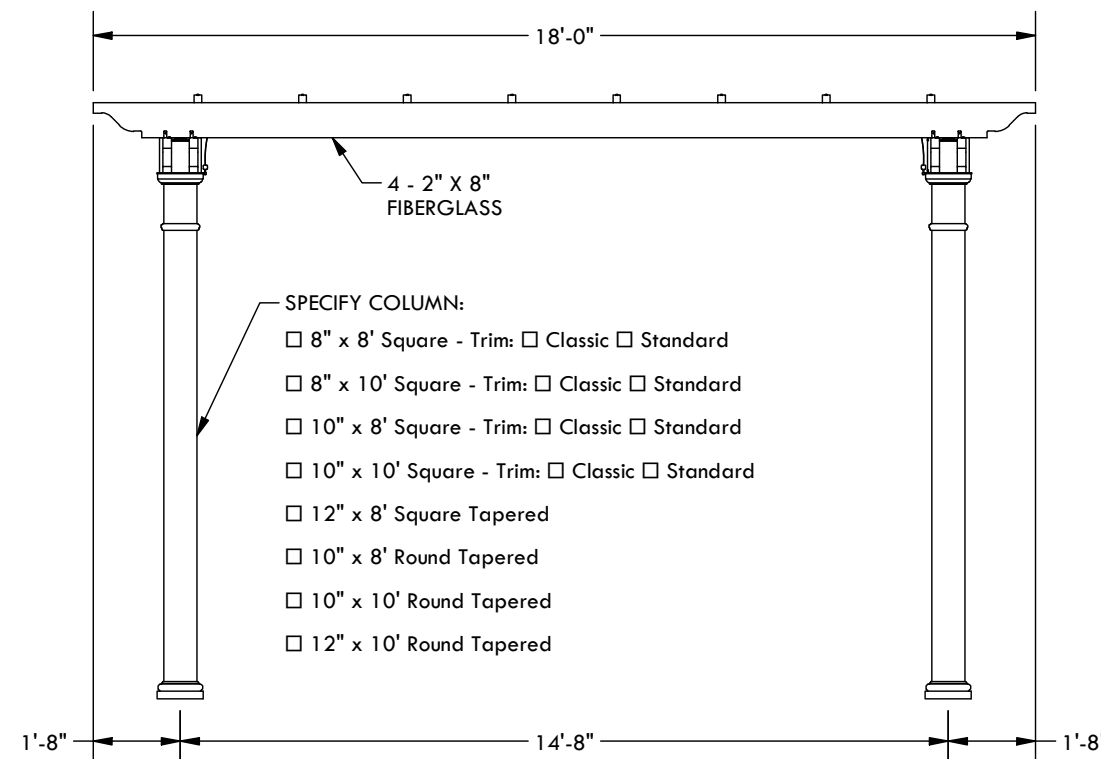
- SPECIFY FINISH:**
- CLASSIC WHITE
 - DRIFT
 - FOREST BROWN
 - GRANITE
 - GRAPHITE
 - LATTE
 - MEDITERRANEAN
 - MIST
 - WALNUT



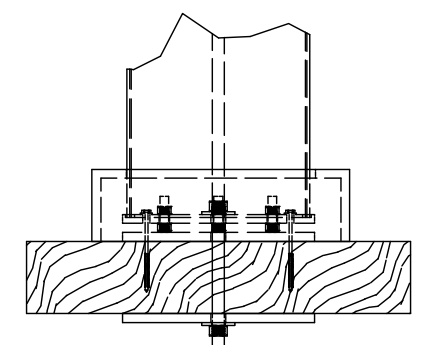
CONCRETE MOUNT



WIDTH ELEVATION



PROJECTION ELEVATION



FRAMING MOUNT

- SPECIFY COLUMN:**
- 8" x 8' Square - Trim: Classic Standard
 - 8" x 10' Square - Trim: Classic Standard
 - 10" x 8' Square - Trim: Classic Standard
 - 10" x 10' Square - Trim: Classic Standard
 - 12" x 8' Square Tapered
 - 10" x 8' Round Tapered
 - 10" x 10' Round Tapered
 - 12" x 10' Round Tapered

| DESCRIPTION | | | |
|---|----|-----------------|-----------|
| 12' WIDE X 18' PROJECTION FREESTANDING WINDSOR | | | |
| REV | BY | DESCRIPTION | DATE |
| | CL | INITIAL RELEASE | 1/13/2026 |

© 2026 Structureworks

STRUCTUREWORKS™

www.structureworks.com 877.489.8064