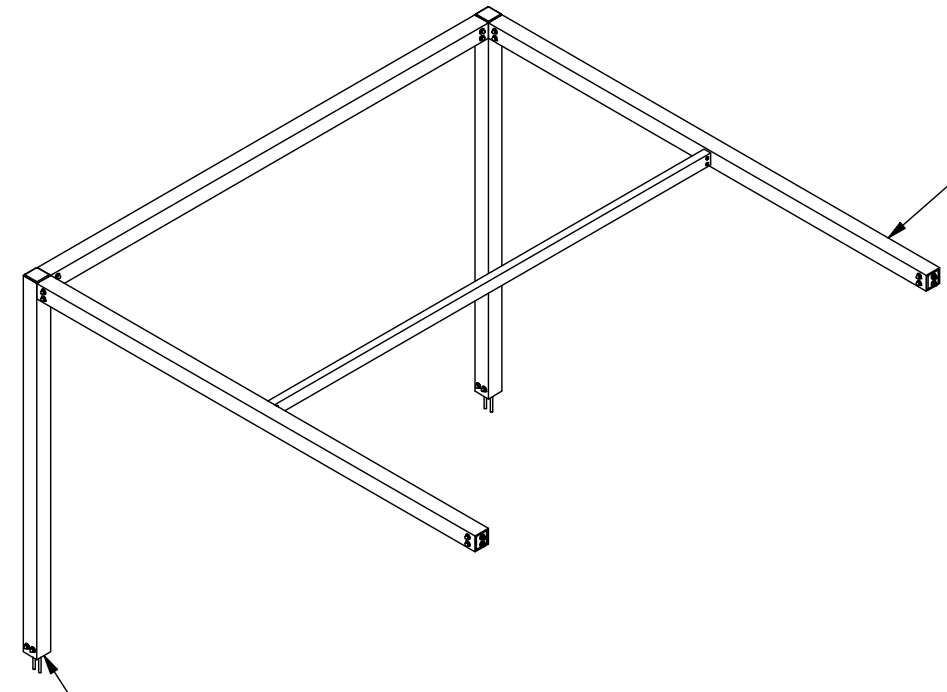
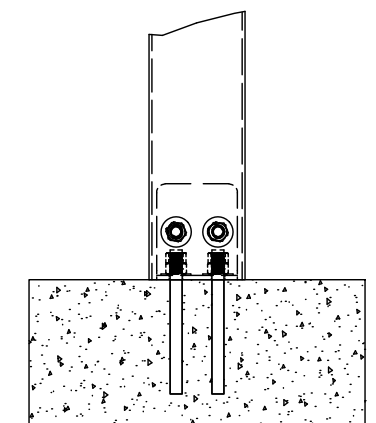


**PLAN VIEW**

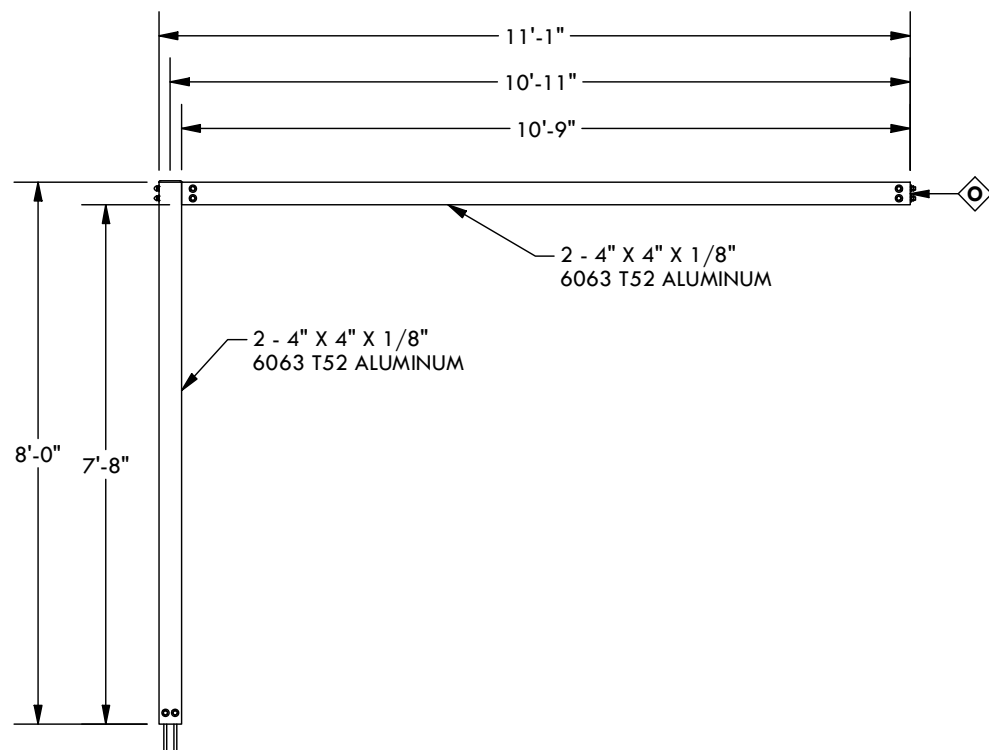


- SPECIFY FINISH:
- SEASHELL WHITE
  - SANDSTONE
  - GREY
  - STATUARY BRONZE
  - JET BLACK
  - OTHER: \_\_\_\_\_

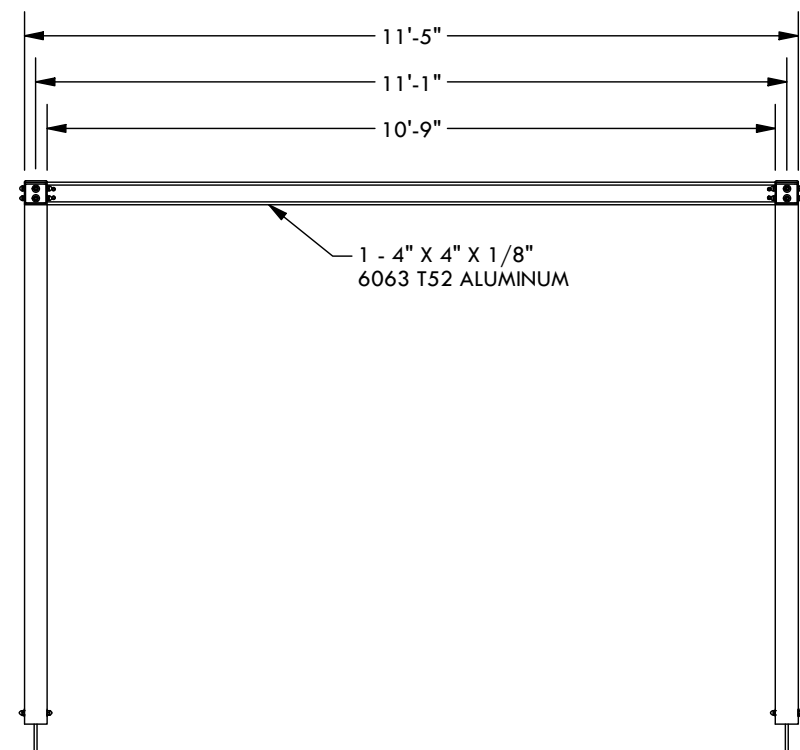
- SPECIFY BASE CONNECTION:
- CONCRETE MOUNT
  - FRAMING MOUNT



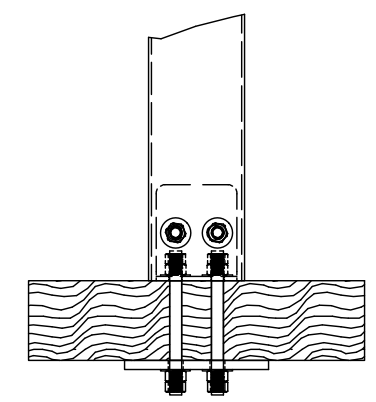
**CONCRETE MOUNT**



**WIDTH ELEVATION**



**PROJECTION ELEVATION**



**FRAMING MOUNT**

DESCRIPTION			
<b>ZEPHYR - FREESTANDING ADD-ON UNIT</b>			
REV	BY	DESCRIPTION	DATE
	NTF	INITIAL RELEASE	1/13/2026
<b>STRUCTUREWORKS™</b>			
www.structureworks.com 877.489.8064			

© 2026 Structureworks