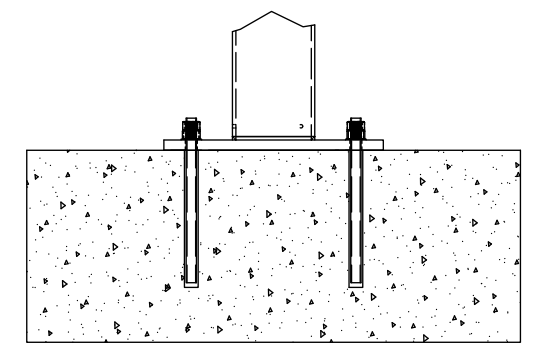
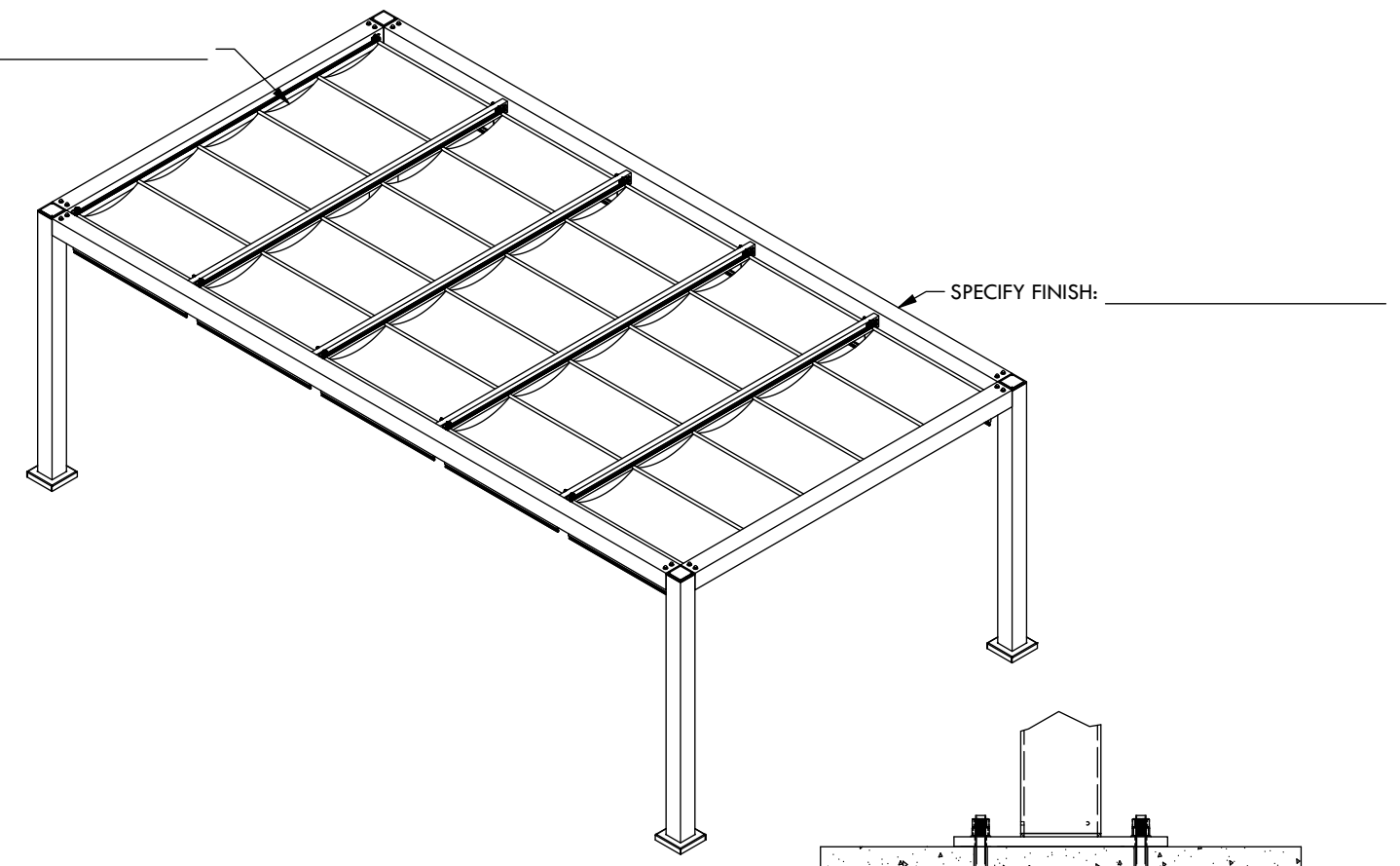
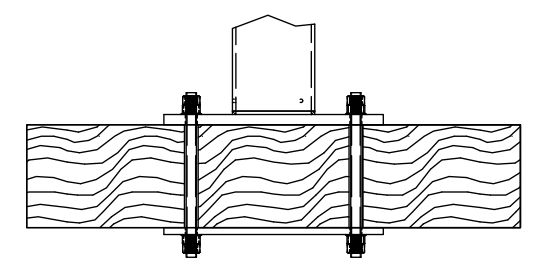


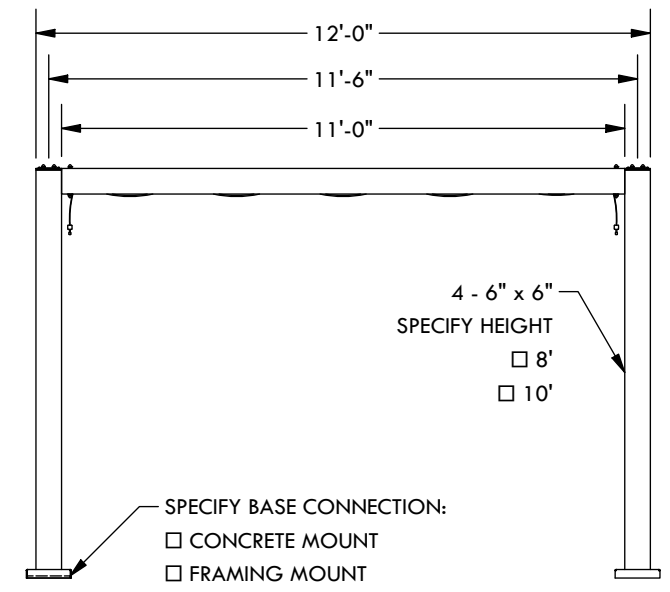
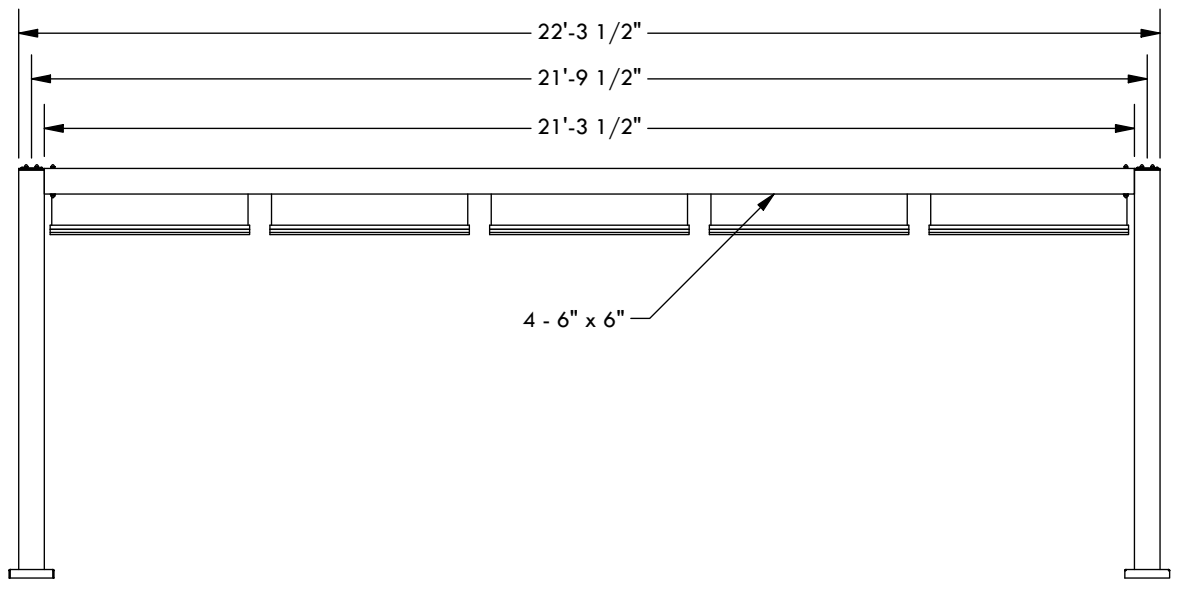
SPECIFY FABRIC: \_\_\_\_\_



CONCRETE MOUNT



FRAMING MOUNT



DESCRIPTION			
<b>22' 4" WIDE X 12' PROJECTION FREESTANDING BREEZE</b>			
REV	BY	DESCRIPTION	DATE
	MH	INITIAL RELEASE	5/12/2025

© 2025 Structureworks