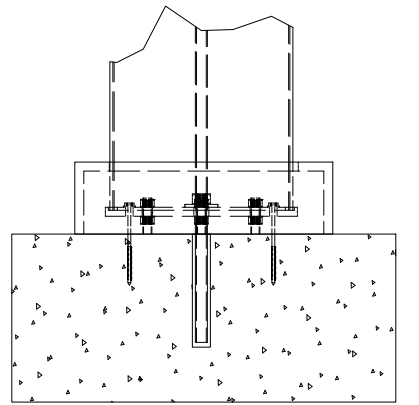
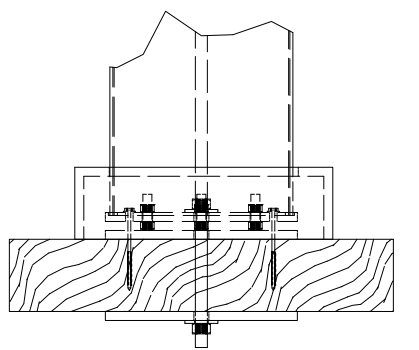


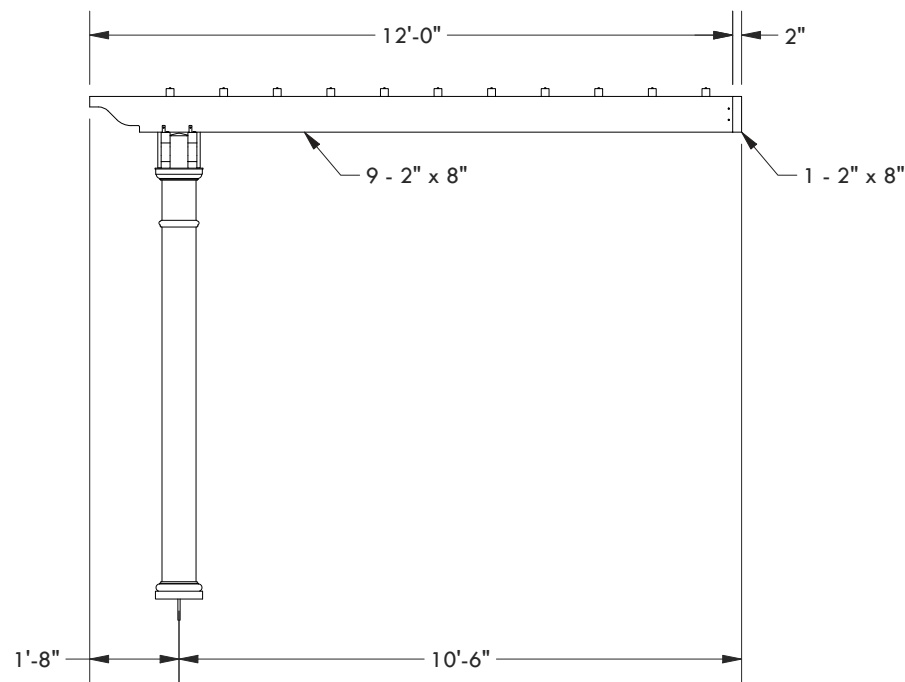
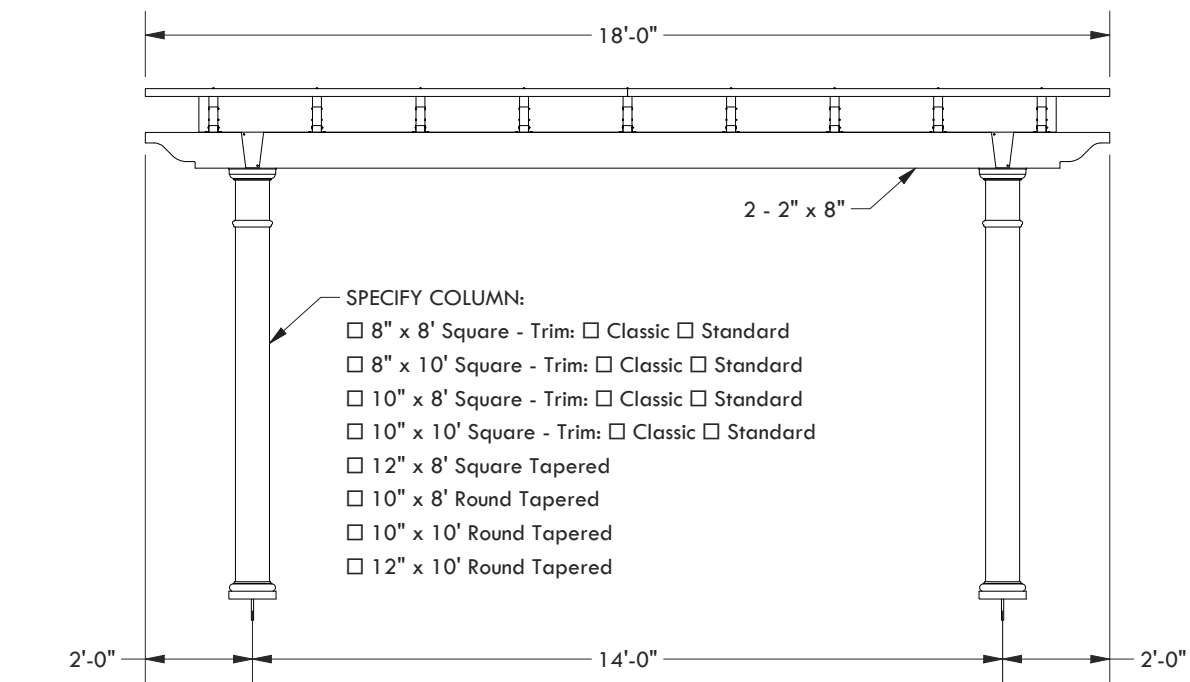
CLASSIC TRIM      STANDARD TRIM



CONCRETE MOUNT



FRAMING MOUNT



DESCRIPTION			
<b>18' WIDE X 12' PROJECTION ATTACHED WILLIAMSBURG</b>			
REV	BY	DESCRIPTION	DATE
1	NB	INITIAL RELEASE	04/02/21

© 2021 Structureworks

**STRUCTUREWORKS™**

www.structureworks.com 877.489.8064