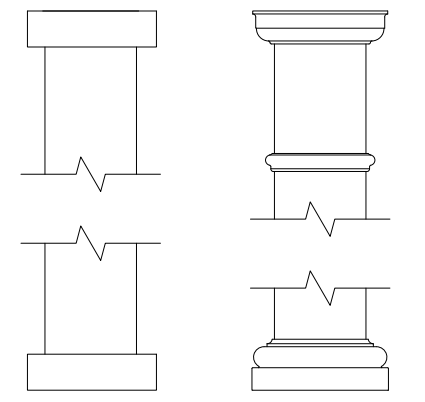


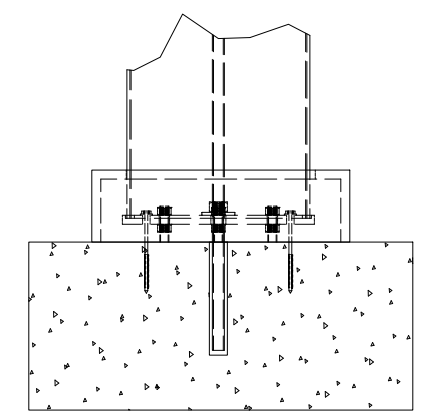
SPECIFY FINISH - STRUCTURE:  
 UNPAINTED WHITE  
 COLORLAST: \_\_\_\_\_

SPECIFY FINISH - COLUMN: \_\_\_\_\_

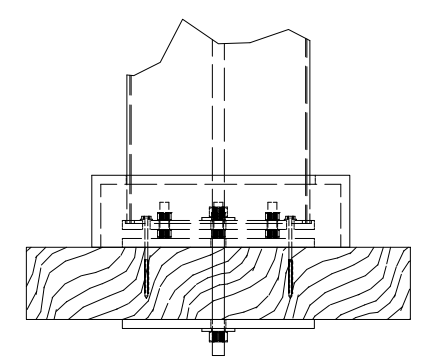
SPECIFY BASE CONNECTION:  
 CONCRETE MOUNT  
 FRAMING MOUNT



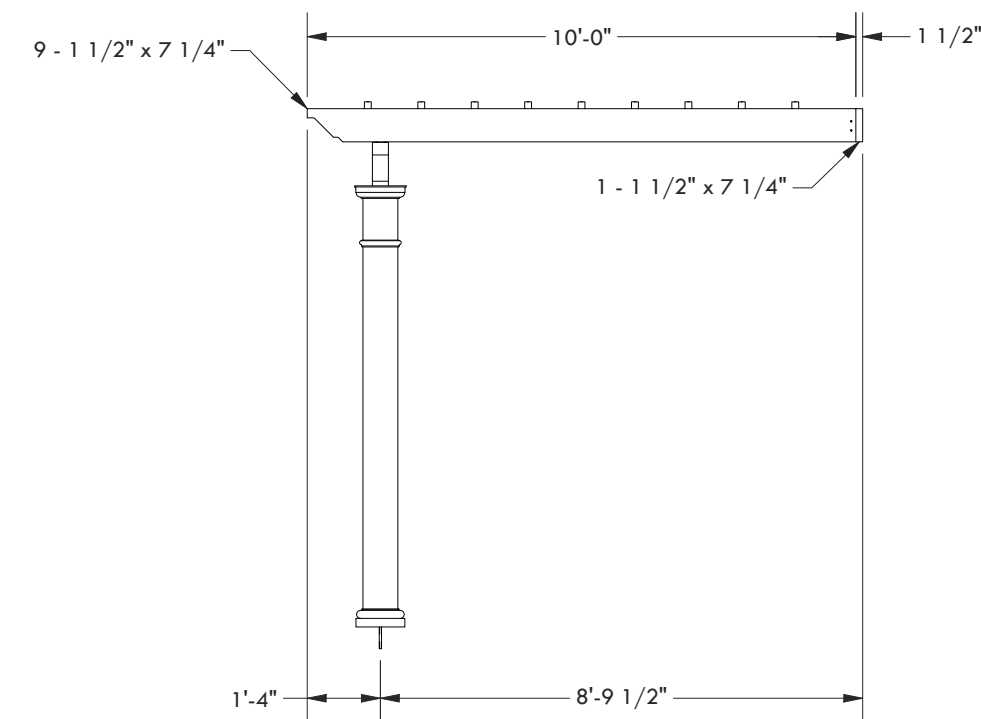
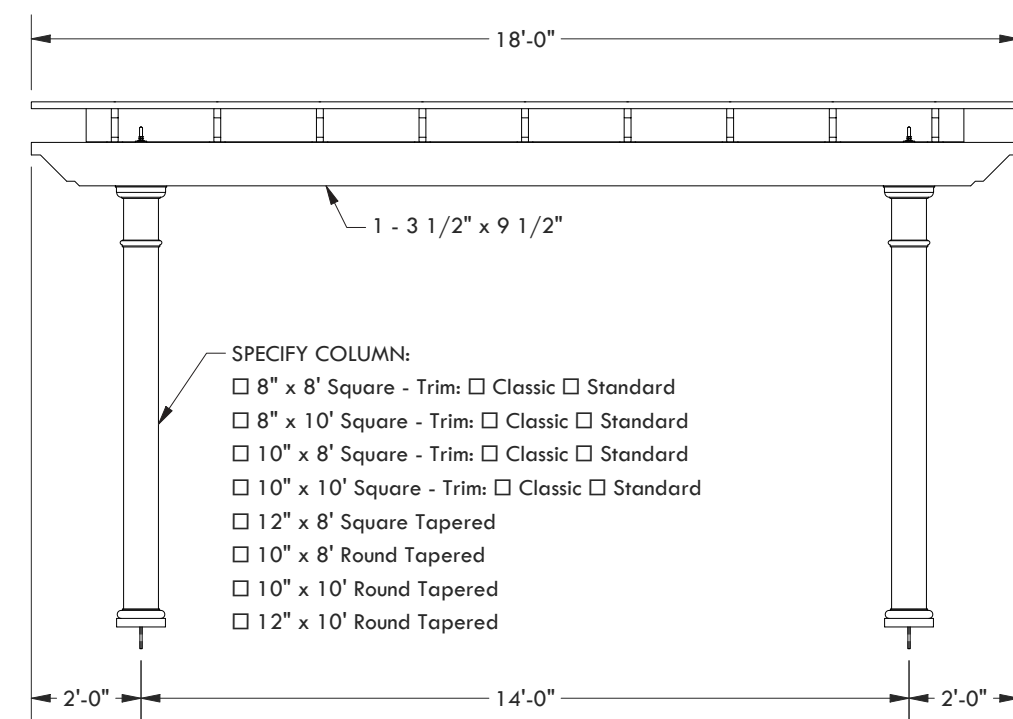
CLASSIC TRIM      STANDARD TRIM



CONCRETE MOUNT



FRAMING MOUNT



© 2021 Structureworks

DESCRIPTION			
<b>18' WIDE X 10' PROJECTION ATTACHED TREX PERGOLA</b>			
REV	BY	DESCRIPTION	DATE
1	NB	INITIAL RELEASE	03/31/21

**Trex® Pergola™**  
 www.trexpergola.com 888.908.4965