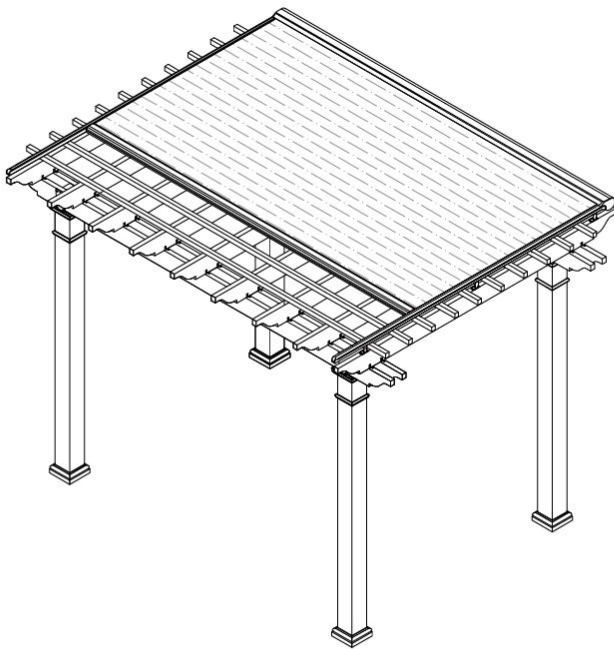
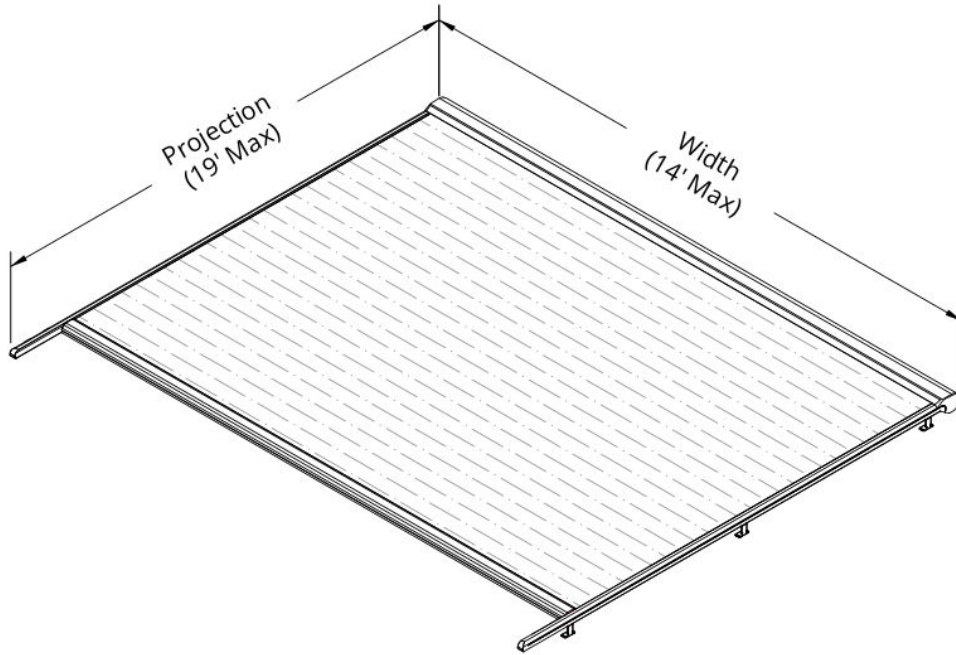


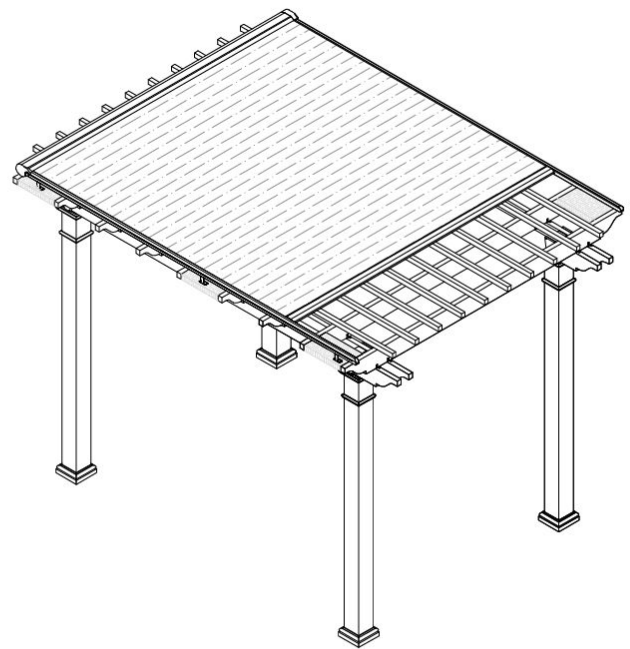
ShadeFlex® Glide Measuring Guide

Glide can be installed on new structures or tailored to fit an existing structure. It can be attached to the top or sides, and oriented parallel or perpendicular, to the support structure components.

Follow these steps to take the needed measurements, complete the form, and return it to your salesperson for a quote.

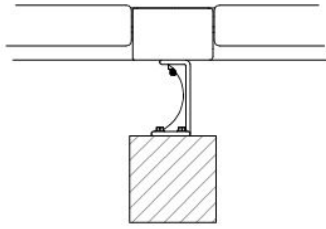


Parallel Installation

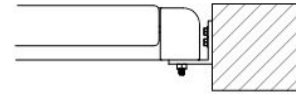


Perpendicular Installation

1. Determine Mounting Type



Top Mounted



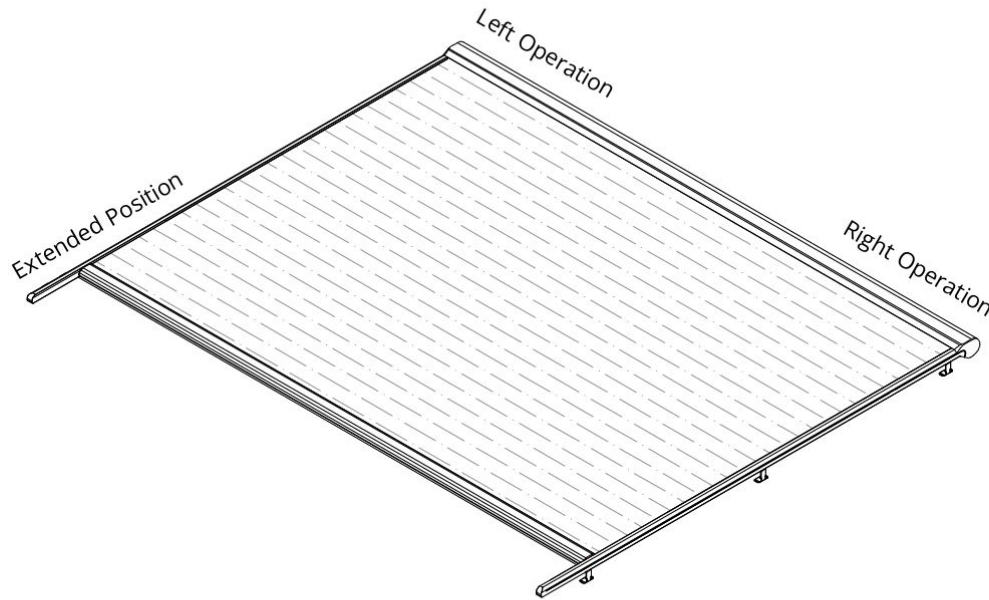
Side Mounted

Top Mounted

Side Mounted

2. Determine Motor Operation

Operation is based on viewing Glide from the front. If more than one unit is being installed, specify the motor operation for each unit. Glides comes with a 6' plug-in cord that can be used with a GFCI-rated receptacle and in-use cover, or cut and hardwired into an exterior rated junction box.

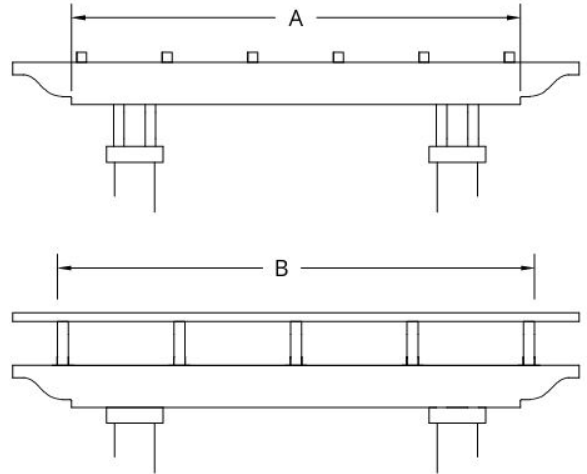
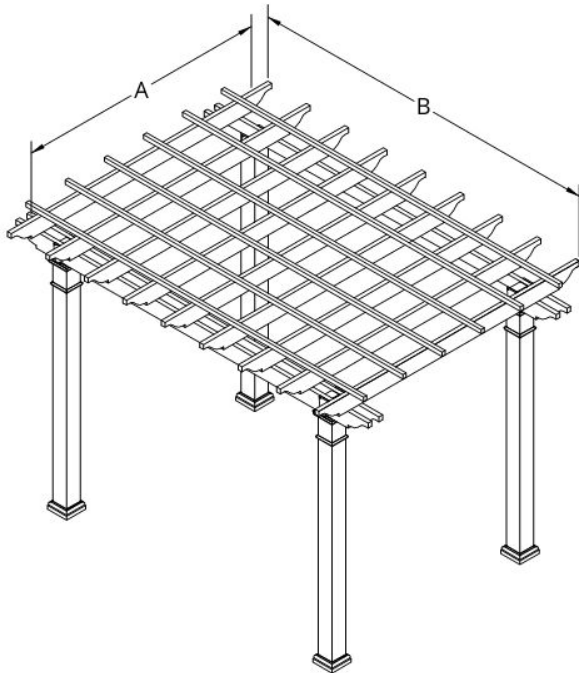


Left Operation

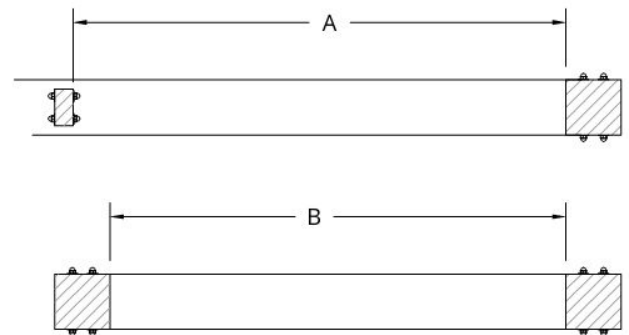
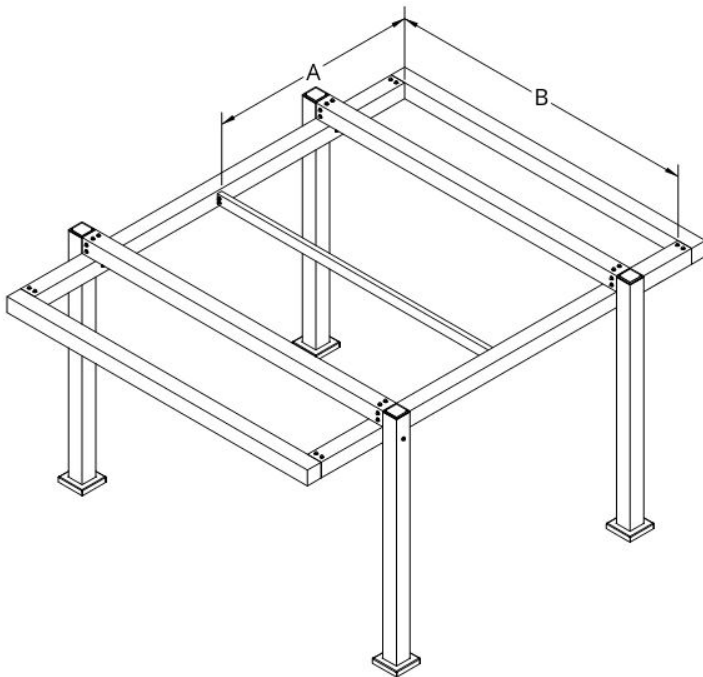
Right Operation

3. Determine Overall Measurements

For top mounted installations, measure the overall distance from outside to outside of the rafters. For side mounted installations, measure the inside distance between mounting surfaces.



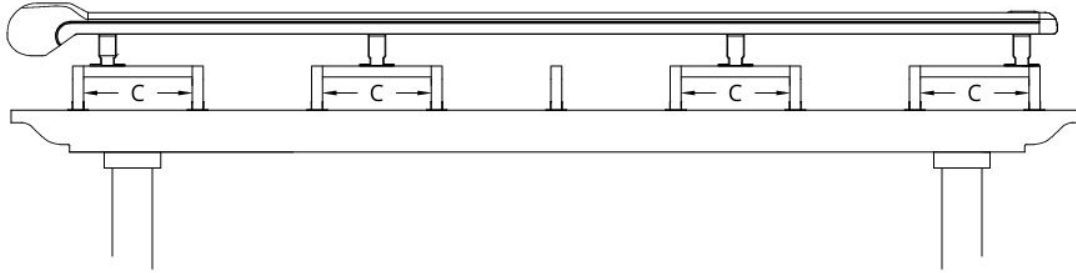
Measurement A: _____
Measurement B: _____



Measurement A: _____
Measurement B: _____

4. Determine Blocking Length

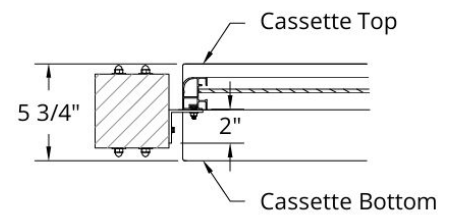
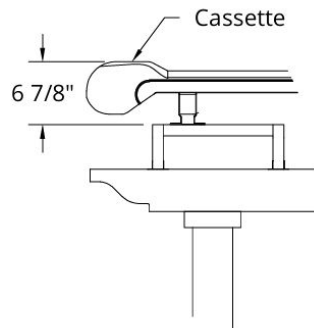
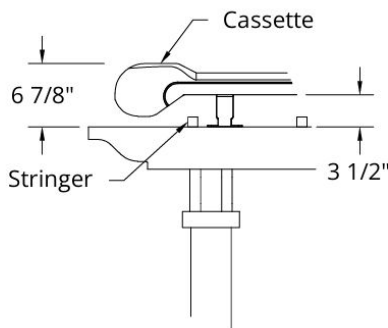
Blocking may be used to support mounting brackets when they do not align with the rafters. Measure the spacing between rafters to determine the required blocking length.



Measurement C: _____

5. Confirm Vertical Clearance

Ensure there is proper clearance for mounting the canopy based on the installation type. The canopy cassette requires at least 6 7/8" of vertical space when installed. If the structure includes a stringer, verify that the stringer height is less than 3 1/2" to maintain the necessary clearance.



Adequate Clearance