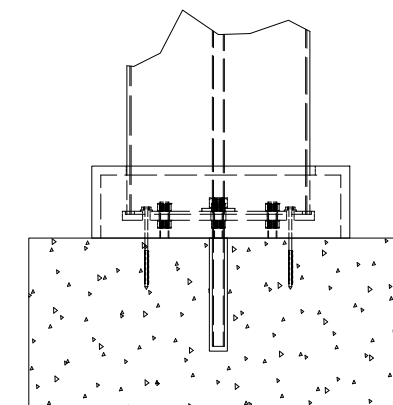
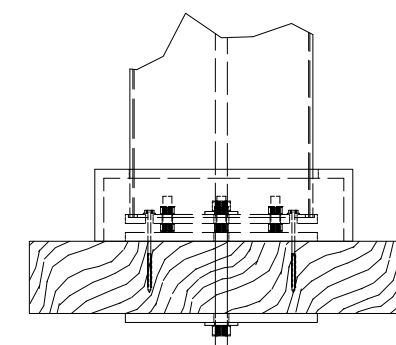


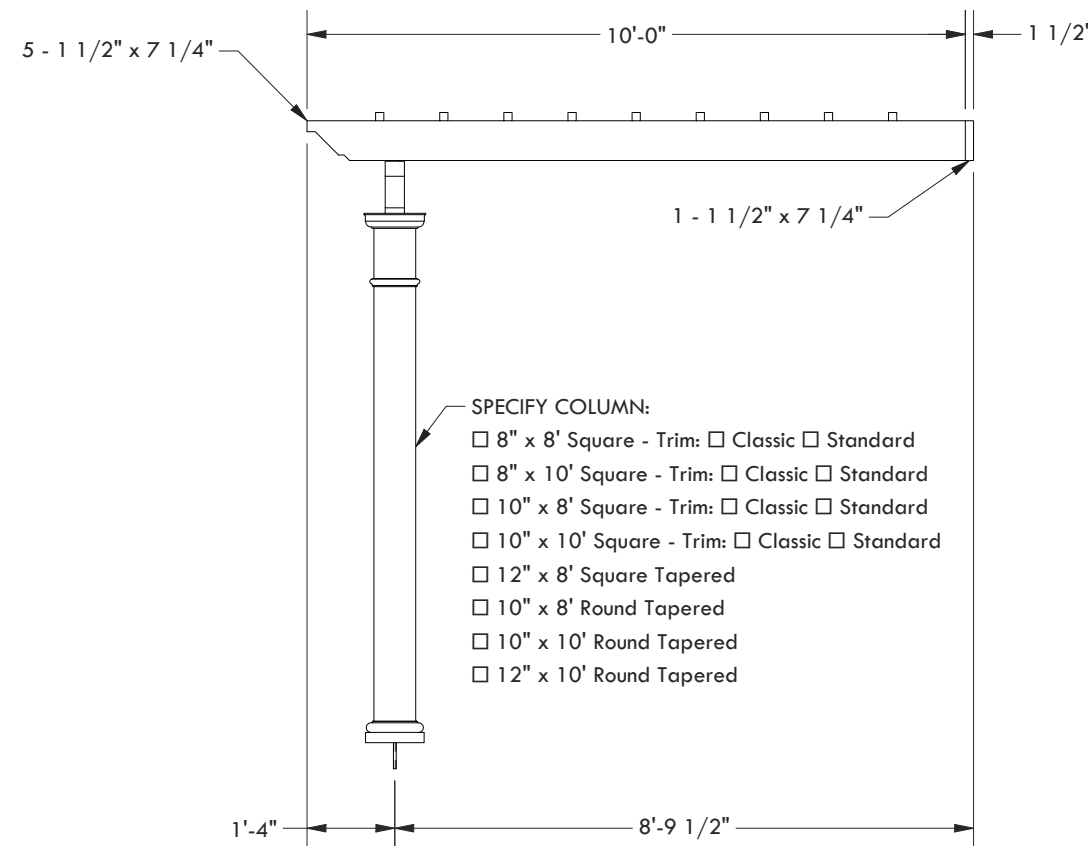
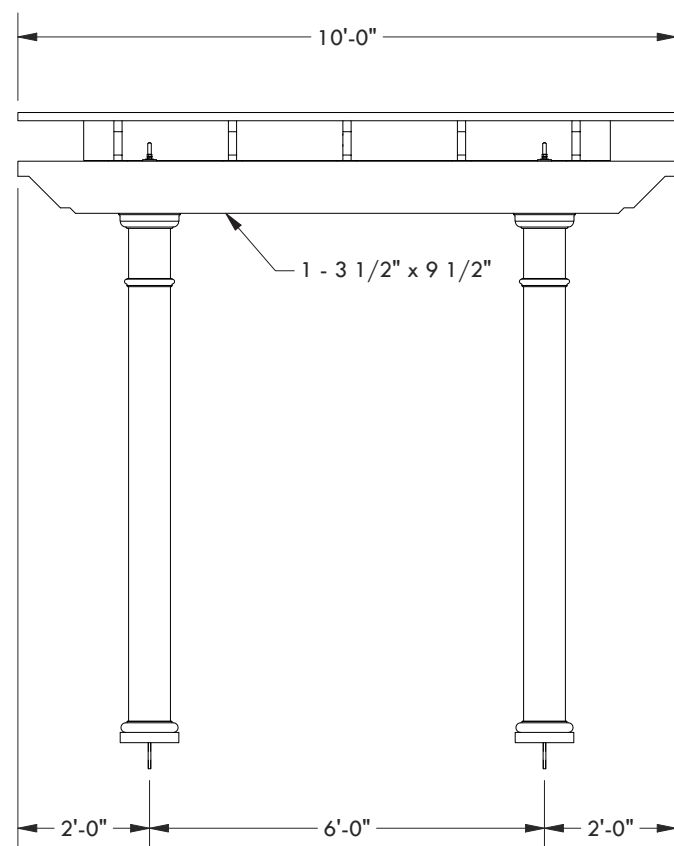
CLASSIC TRIM STANDARD TRIM



CONCRETE MOUNT



FRAMING MOUNT



DESCRIPTION			
<b>10' WIDE X 10' PROJECTION ATTACHED TREX PERGOLA</b>			
REV	BY	DESCRIPTION	DATE
1	NB	INITIAL RELEASE	03/31/21

© 2021 Structureworks

**Trex® Pergola™**

www.trexpergola.com 888.908.4965