

Balance Installation Guide

Read this guide and review shop drawings and notes before beginning installation.

All packages should be opened and inspected for hidden damage upon receipt. Any missing or damaged components should be noted on the delivery receipt with the carrier before accepting the shipment. All items should be repackaged and stored where protected from moisture, dirt, and excessive heat. Do not wrap material so that heat or moisture can become trapped. Ensure that items are level, fully supported, and have airflow between parts. Damage from improper storage is not considered shipping damage and is not covered by product warranties. Handle materials so as to protect materials, coatings, fabric and finishes during transportation and installation to prevent damage or staining.

It is the responsibility of the installer to meet or exceed all code and safety requirements, and to obtain all required building permits. These instructions are only a guide, and may not address every circumstance. The installer should determine and implement appropriate installation techniques for each situation. Structureworks shall not be held liable for improper or unsafe installations.

Recommended Tools

The tools required for installation will vary depending on structure configuration and the hardware used. Review shop drawings to confirm drill bit sizes, socket sizes, and other project specific tools.

- Pencil
- 4' Level
- 8' Ladder (2)
- Framing Square
- Impact Driver w/ Phillips Bit
- Adjustable Wrench
- Tape Measure
- Caulk Gun
- Hole-Cleaning Brush
- Socket Wrench w/ Sockets
- Drill

Required Materials

Depending on the configuration of the structure, additional materials such as ledger attachment hardware, silicone caulk, and anchoring epoxy may be needed. Review shop drawings for project specific requirements.

Cleaning and Maintenance

Use a combination of Simple Green All-Purpose Cleaner and hot water with a soft bristle brush. Clean after installation and on an annual basis. For more difficult to clean marks, a Mr. Clean Magic Eraser can be used. Structural attachments should be inspected annually.

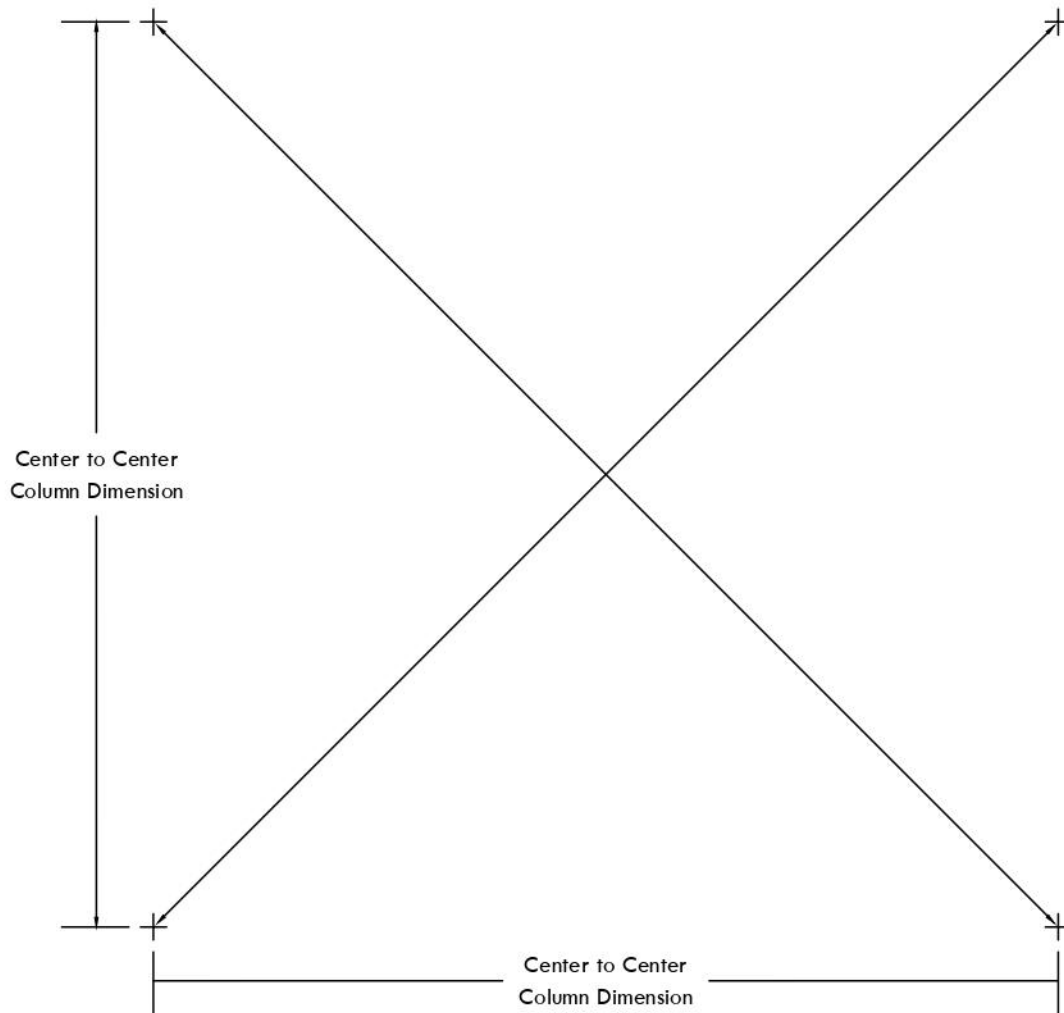
Installation Sequence

This installation guide provides a step by step sequence for the installation of the structure. This guide covers only the structure, separate installation guides are provided for accessories and other products used in the installation of the structure. Ensure that you have all required installation guides before beginning the installation.

All structures are made to order and are provided with shop drawings. Shop drawings may contain additional information, details, or job specific instructions. Shop drawings take precedence over this installation guide.

Layout

Layout all columns according to the shop drawings. Columns must be located precisely and variations in the height of the mounting surface must be accounted for by leveling each column. The structure will not install correctly if the columns are installed out of square or out of level from one another.



Prepare for Column Installation - Concrete Mounting Surfaces

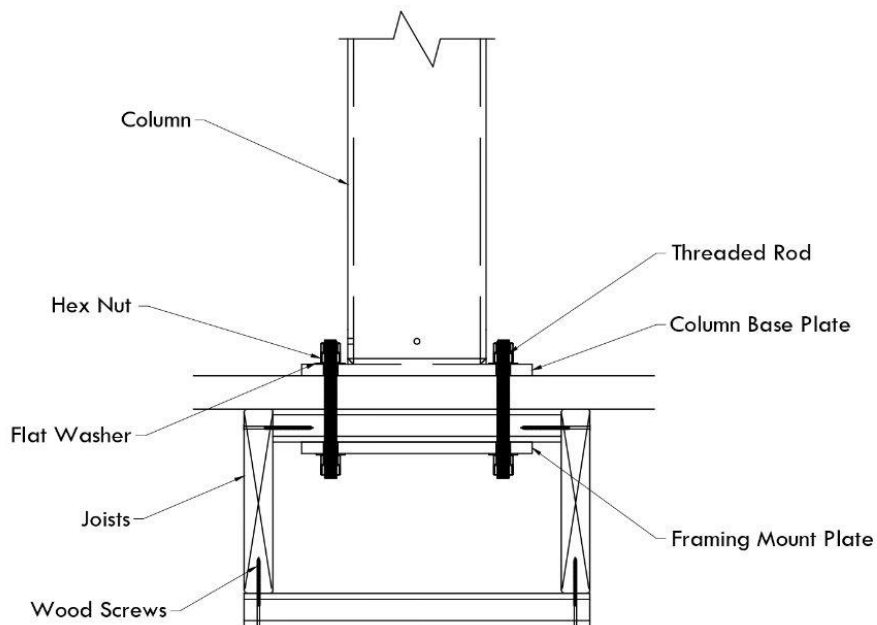
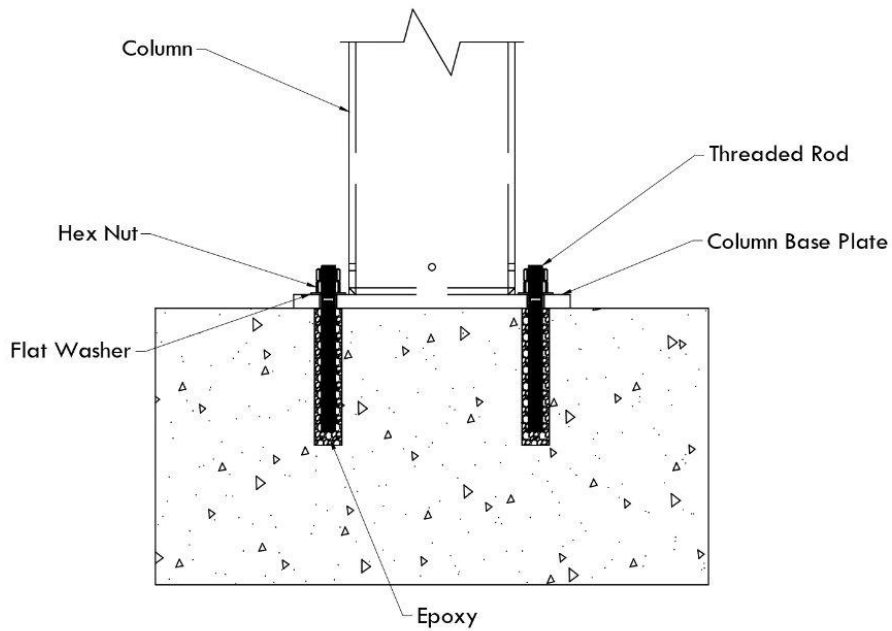
Drill the holes for the threaded rods and epoxy. The holes should be sized larger than the threaded rod diameter per the epoxy manufacturer's instructions. Clean the hole thoroughly.

Fill the holes with epoxy per the manufacturer's instructions. Insert the threaded rods in a twisting motion to ensure epoxy flows into the threads of the rods. Ensure that the rods are inserted to the proper depth and are plumb.

Prepare for Column Installation - Wood Mounting Surfaces

Install pressure treated wood blocking between the joists against the underside of the decking. Blocking should be a nominal thickness of 2" and wider than the framing mount plate.

Drill the holes for the threaded rods through the deck and wood blocking.



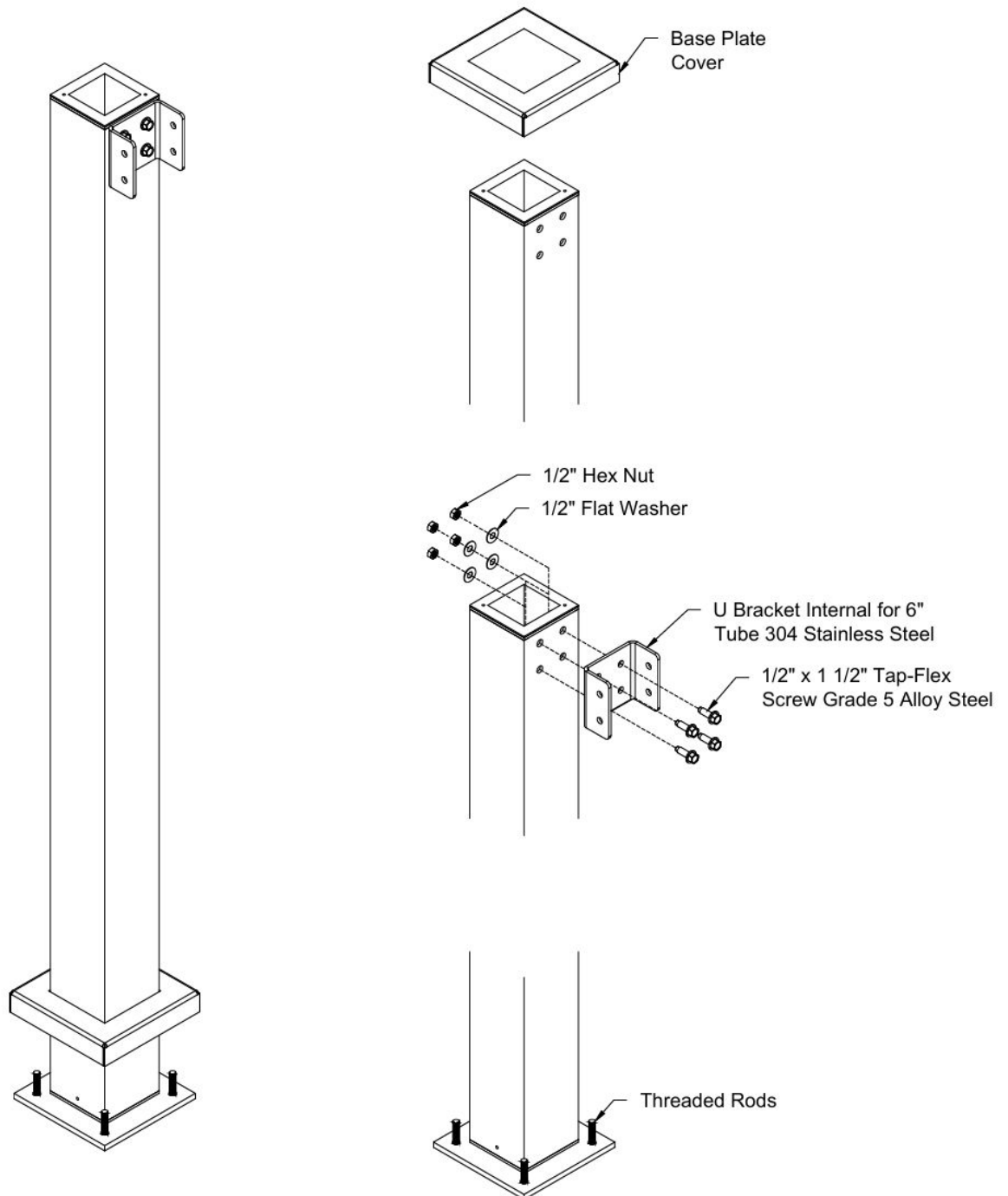
Install Columns

Place the base plate cover over the top of the column and lower it to the ground.

Install the internal U Brackets for the beams at the top of the columns. If the mounting surface is uneven, shim the columns using flat washers or non-shrink grout to ensure they are level. Do not install the flat washers and nuts that secure the columns to the ground at this stage.

If the structure includes features such as lighting, fans, or heaters, complete all necessary wiring, make the required connections, and test the system before continuing.

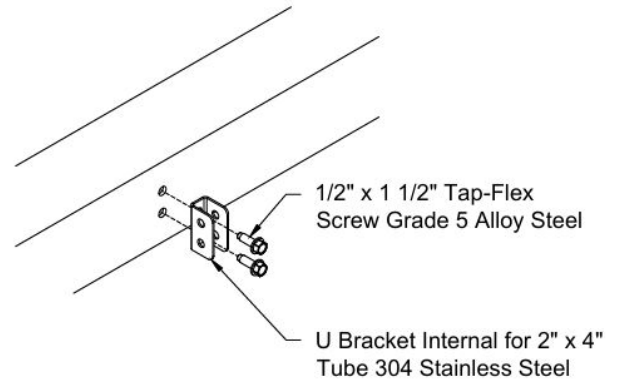
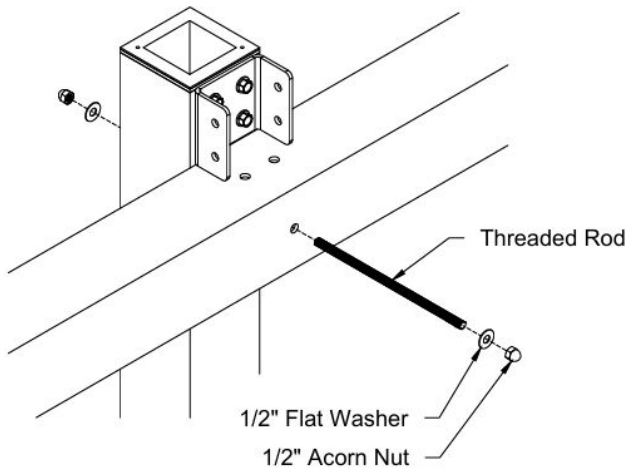
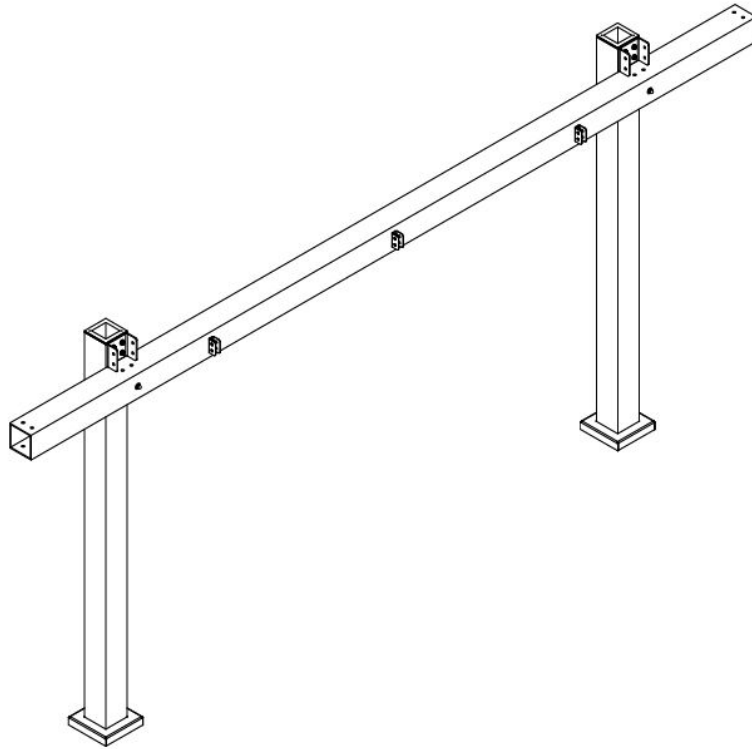
Place all columns in their designated installation locations, making sure the beam brackets are oriented correctly.



Install Width Beams

Install the rafter brackets onto the width beam(s). Position the width beam between the supporting columns and secure it by bolting it to the columns. Tighten all hardware.

For freestanding structures, repeat this process for the second width beam.

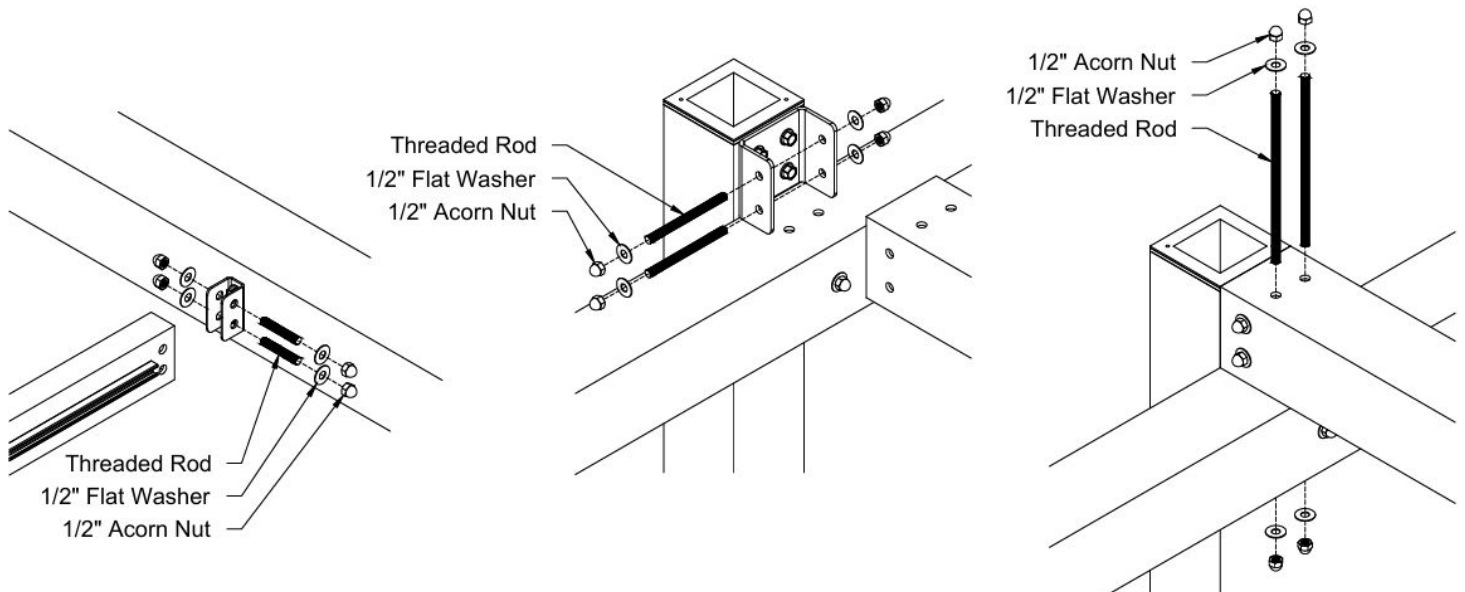
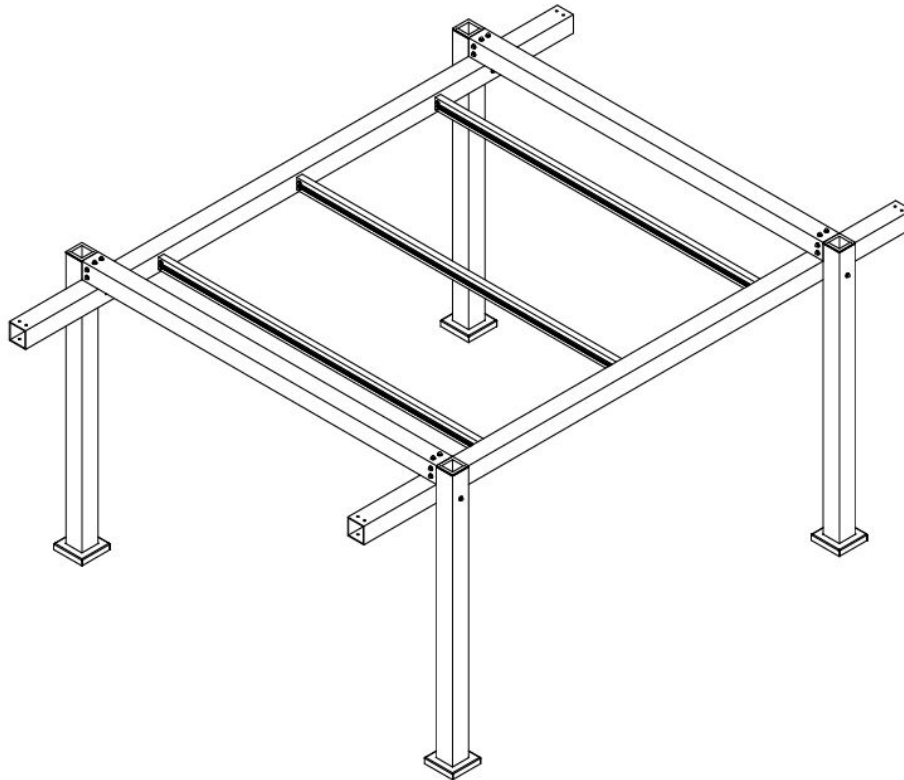


Install Projection Beams and Rafters - Freestanding Structures

Install the projection beams and rafters in sequence, working from one side of the structure to the other.

Begin by bolting one end of each component to the brackets on one side of the structure. As you progress, gradually slide the unbolted ends onto the brackets on the opposite width beam while slowly pulling it into its final position.

Once all projection beams and rafters are in place and bolted on one end, secure the hardware on the other end and fully tighten all connections.

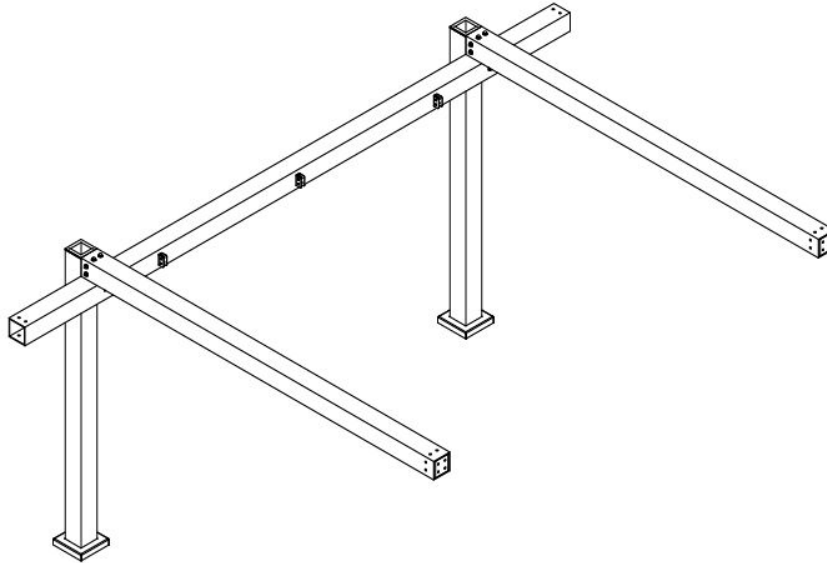


Install Wall Brackets & Projection Beams - Attached Structures

Install the internal brackets for the projection beams onto the host structure. Ensure the brackets are securely mounted to structural elements capable of supporting the load. Attachment hardware is not provided and should be selected based on the specific mounting conditions.

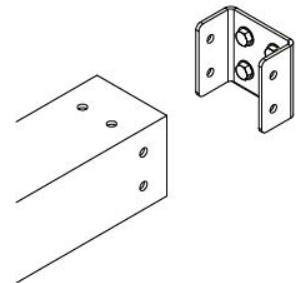
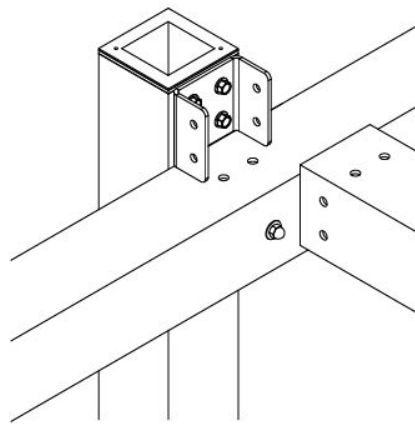
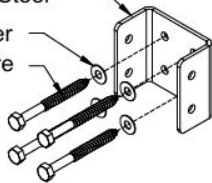
To install the projection beams, lean the column and width beam assembly away from the host structure.

Position the projection beams onto the brackets at both the column side and the host structure side. Do not install the projection beam hardware at this stage.



U Bracket Internal for 6"
Tube 304 Stainless Steel

Flat Washer
Mounting Hardware

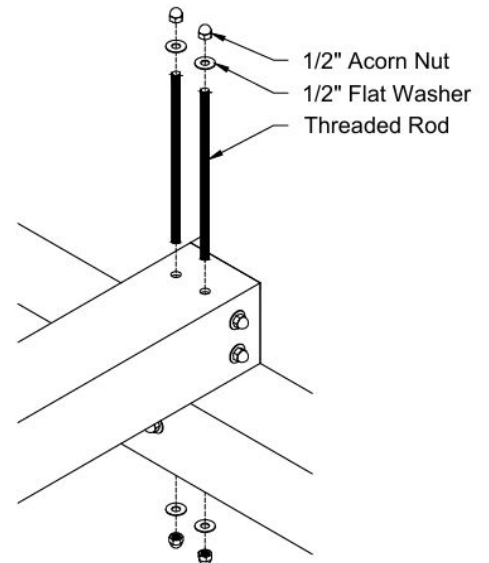
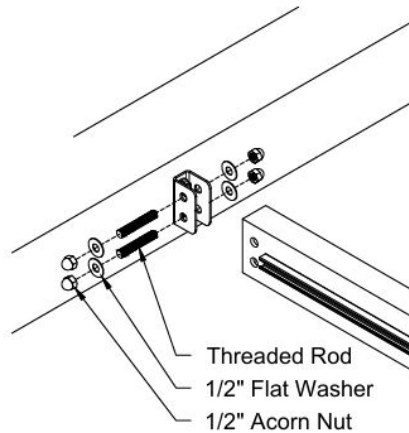
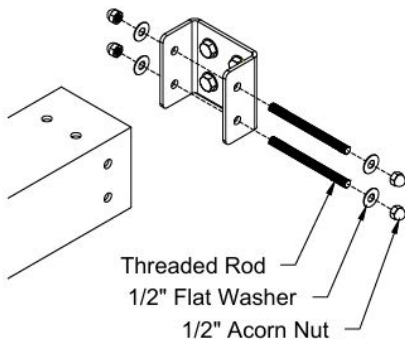
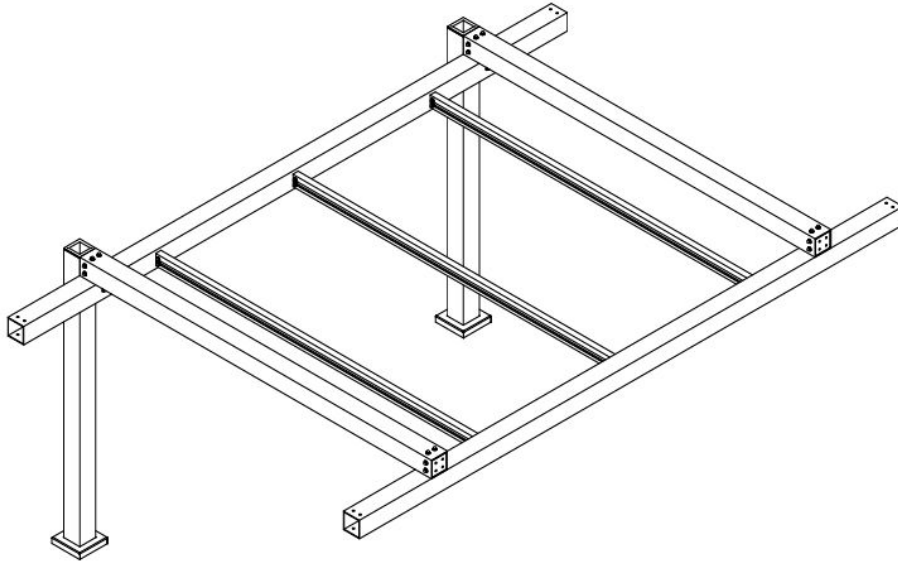


Install Width Beam and Rafters - Attached Structures

Attach the remaining width beam to the projection beams using the appropriate hardware.

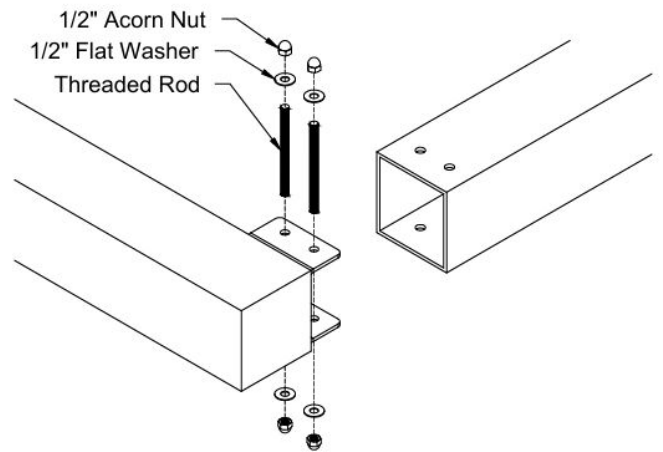
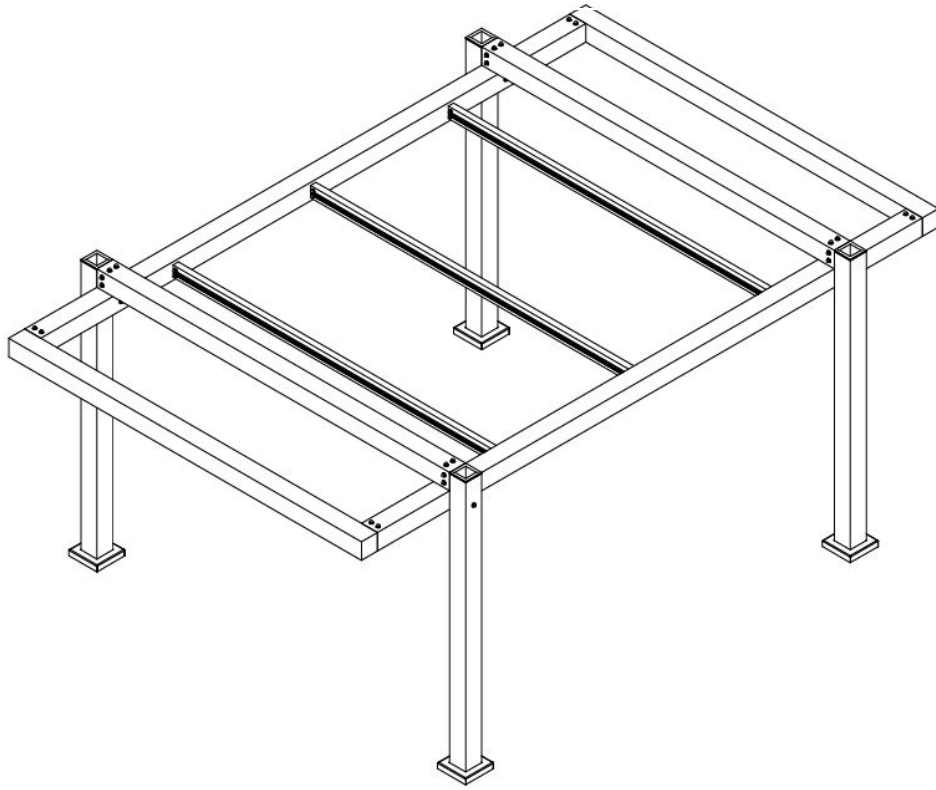
Then, carefully lean the column and width beam assembly away from the host structure and install the rafters, securing them with hardware.

Secure the projection beams to the brackets using hardware appropriate hardware.



Install Floating Frame Projection Beams

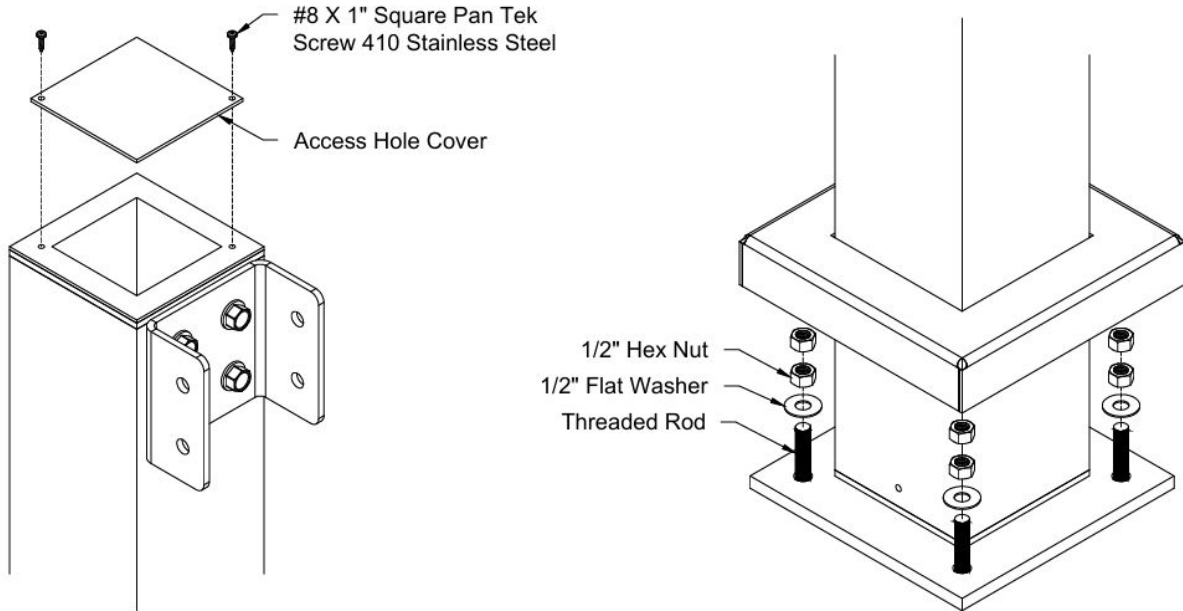
Insert the brackets at the ends of the floating frame projection beams into the width beams, then secure them with hardware.



Finish Column Installation

Install access hole covers on the tops of the columns with screws. Seal the hole cover using silicone.

Verify that all beams and rafters are installed and securely bolted, the beams are level, and the columns are plumb. Install flat washers and hex nuts onto the threaded rods at the base of each column, then tighten securely.



Paint Touch-Up

All structures will require touch up over time and at completion of construction. Use extreme care when handling components. Touch up paint is provided. In the event of scratching or chipping, touch up the painted surface with the included brush. Apply light coats in order to allow the paint to flow and dry with a smooth finish.

Water Drainage

Drill weep holes in the bottom of all hollow components to allow for proper water drainage. Without adequate drainage, water buildup can cause damage to the finish or structure, which is not covered under warranty.