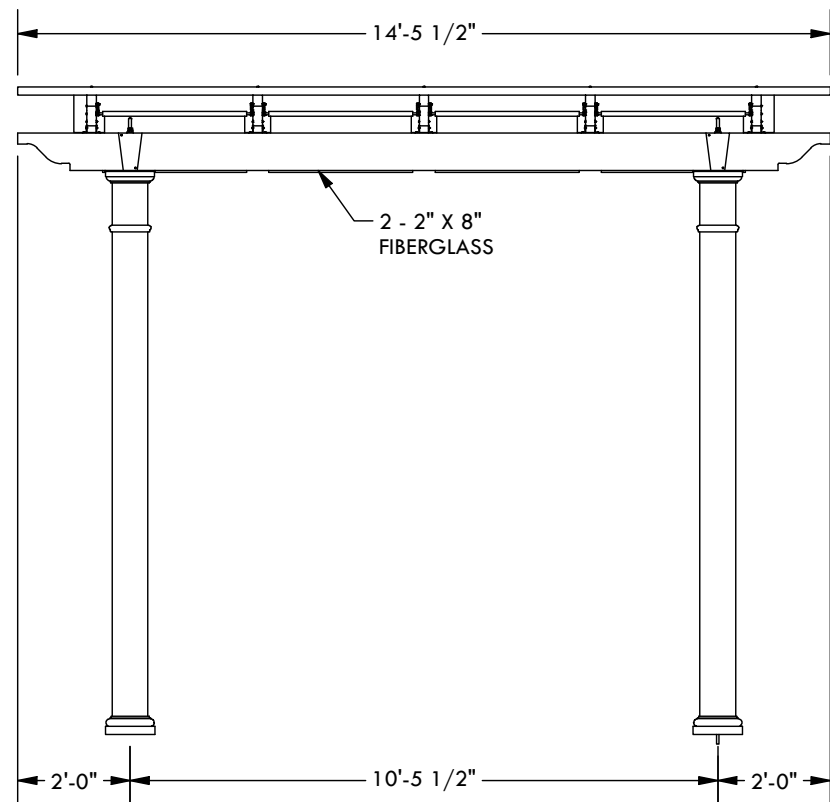
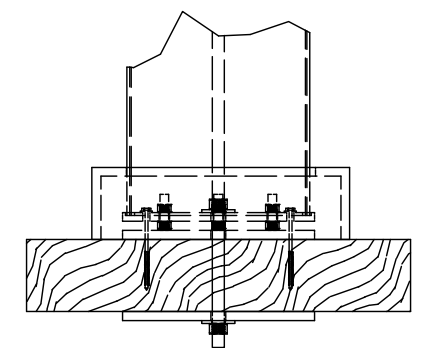
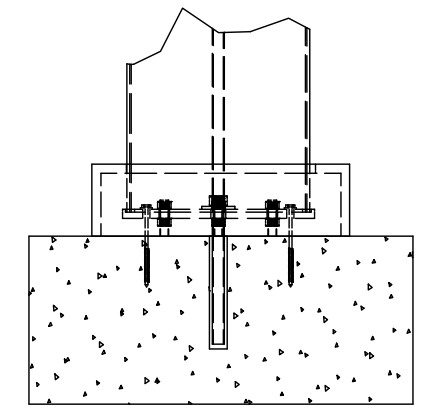
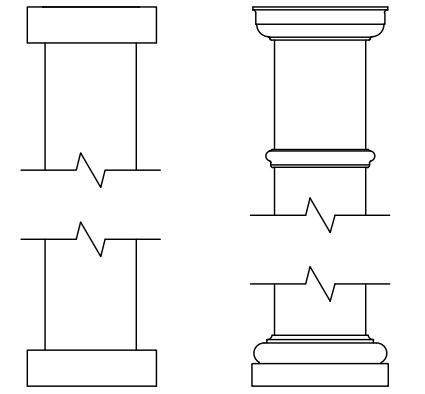
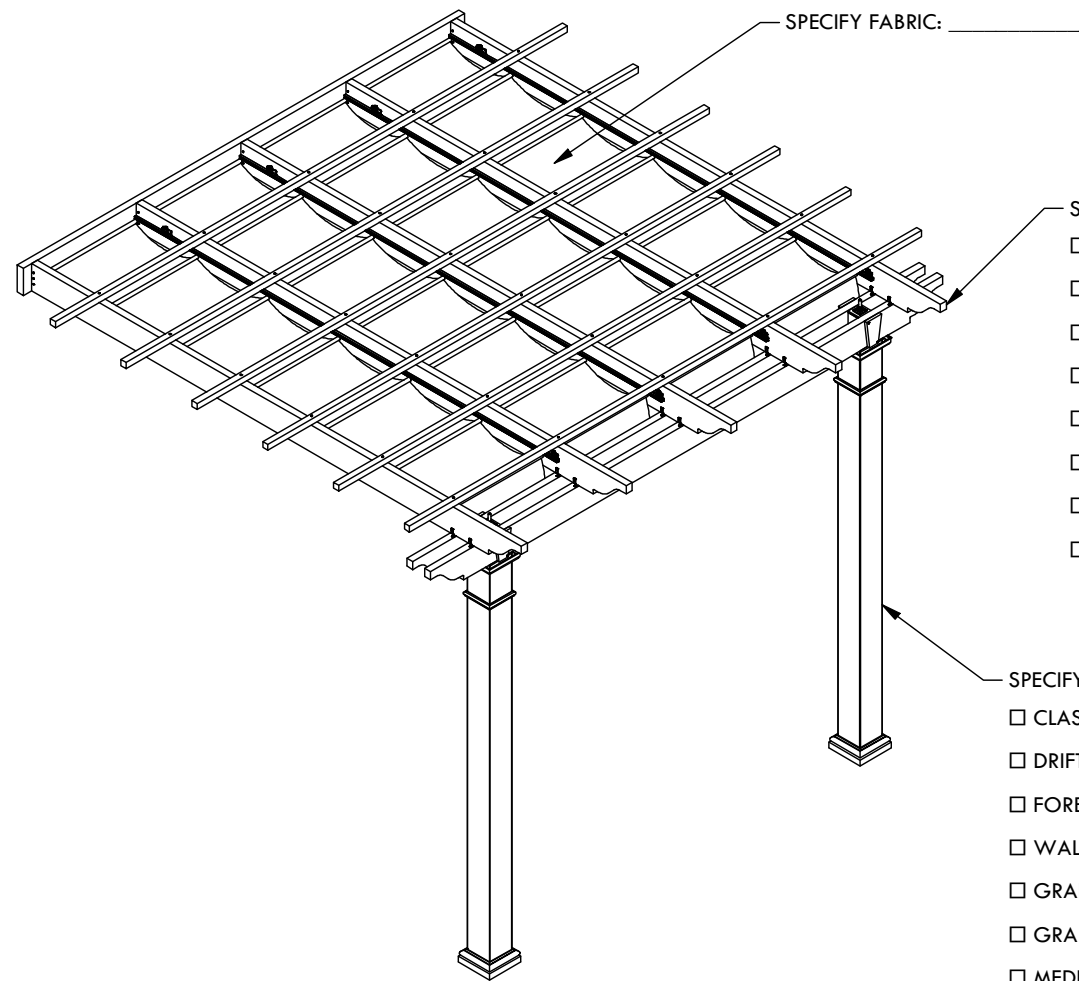
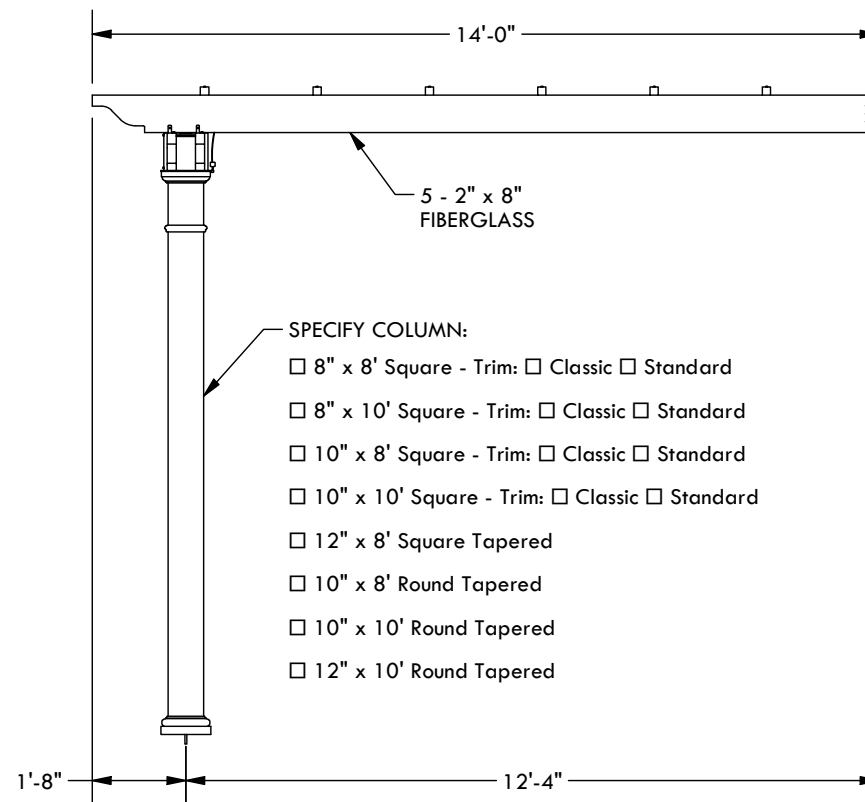


PLAN VIEW



WIDTH ELEVATION



PROJECTION ELEVATION

DESCRIPTION			
<b>14' WIDE X 14' PROJECTION ATTACHED WINDSOR</b>			
REV	BY	DESCRIPTION	DATE
	CL	INITIAL RELEASE	1/13/2026

© 2026 Structureworks

**STRUCTUREWORKS™**

www.structureworks.com 877.489.8064