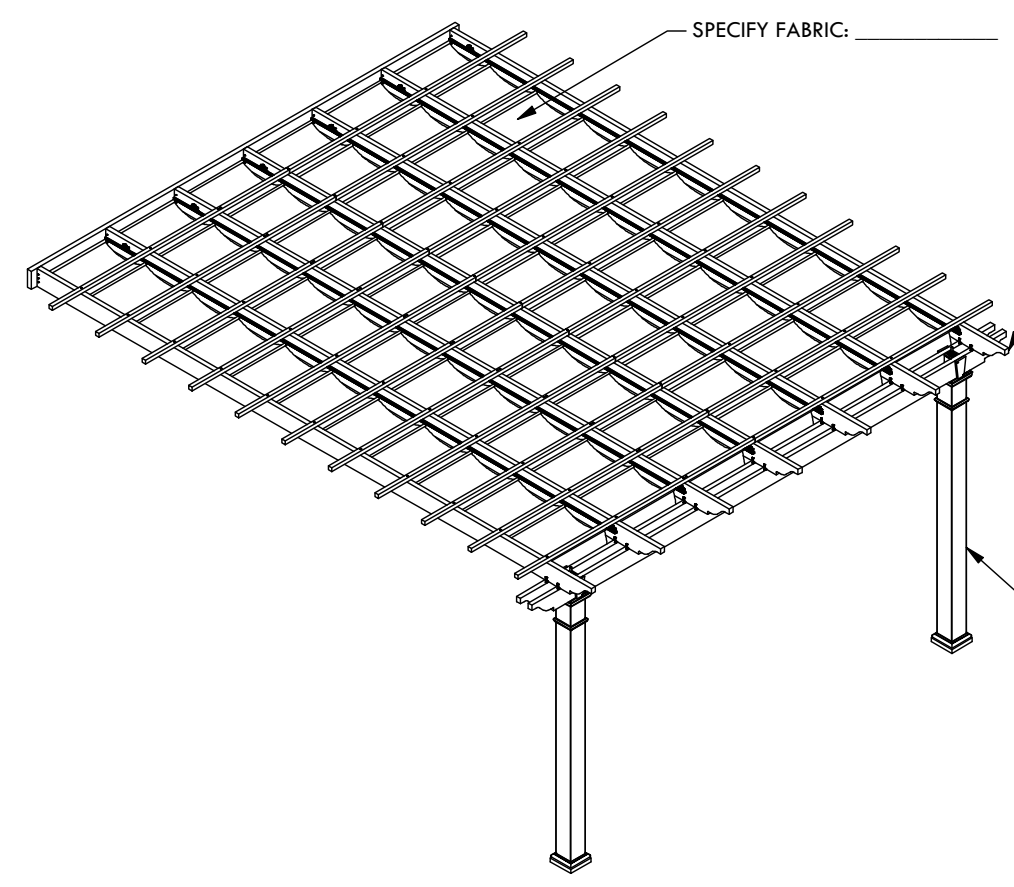
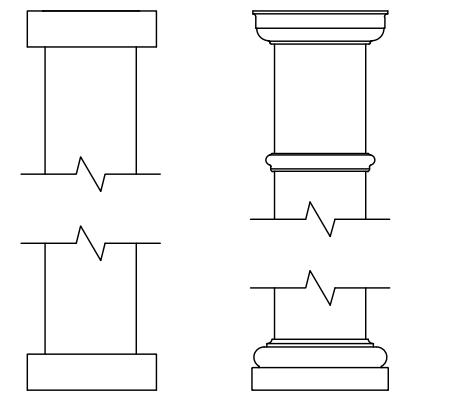


**PLAN VIEW**

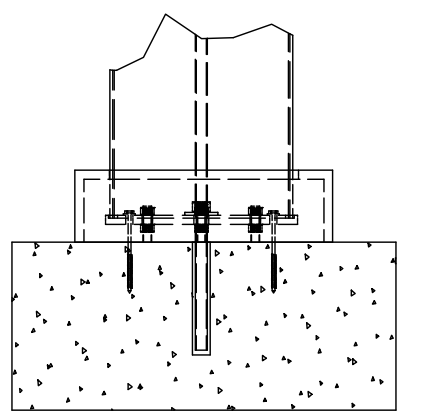


- SPECIFY END STYLE:**
- ARCADIA
  - BELMONT
  - CLASSIC
  - CLIP
  - COAST
  - FLAT
  - SLIGHT
  - TRADITIONAL

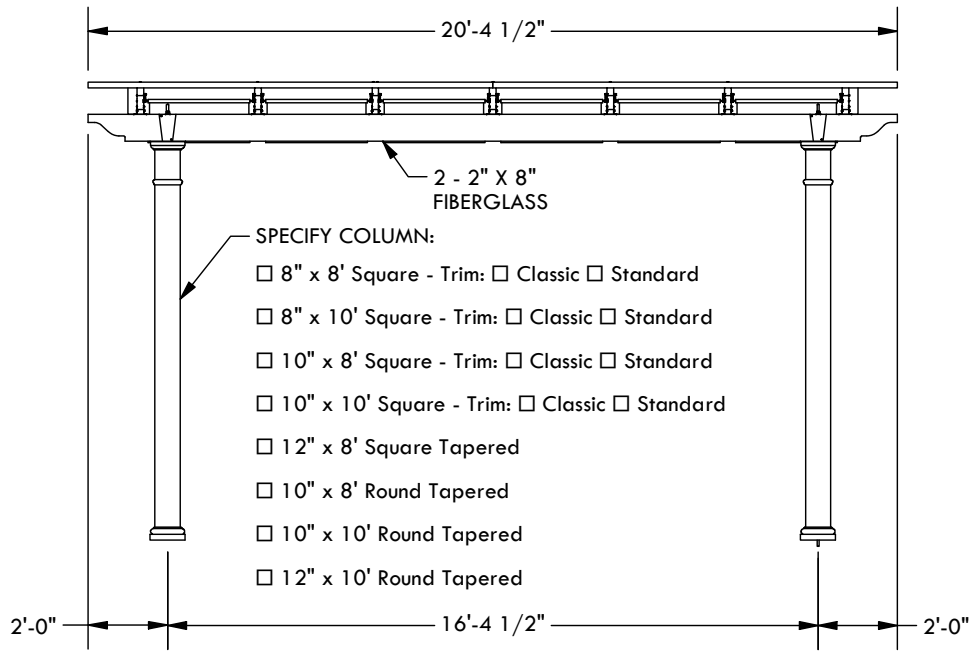


**CLASSIC TRIM      STANDARD TRIM**

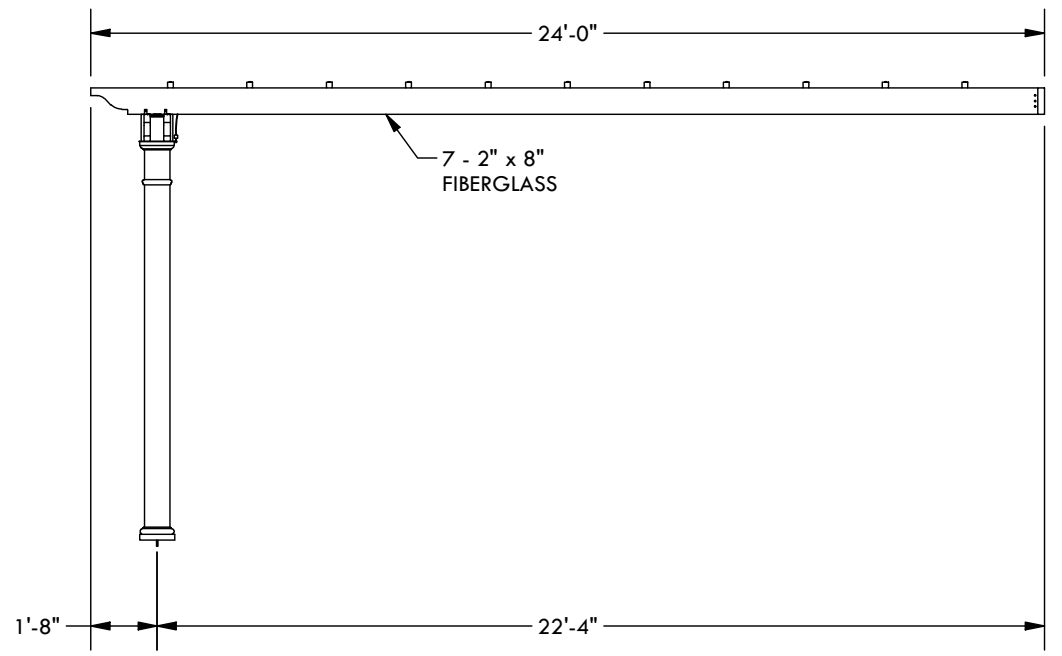
- SPECIFY FINISH:**
- CLASSIC WHITE
  - DRIFT
  - FOREST BROWN
  - WALNUT
  - GRANITE
  - GRAPHITE
  - MEDITERRANEAN
  - MIST
  - WALNUT



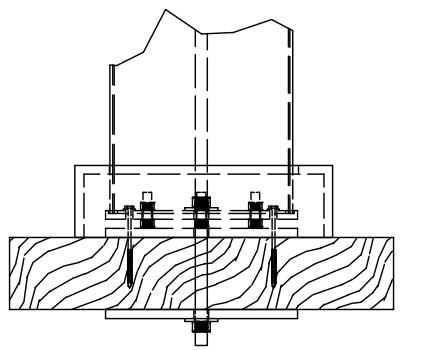
**CONCRETE MOUNT**



**WIDTH ELEVATION**



**PROJECTION ELEVATION**



**FRAMING MOUNT**

DESCRIPTION			
<b>20' WIDE X 24' PROJECTION ATTACHED WINDSOR</b>			
REV	BY	DESCRIPTION	DATE
	CL	INITIAL RELEASE	1/13/2026

**STRUCTUREWORKS™**  
www.structureworks.com 877.489.8064

© 2026 Structureworks