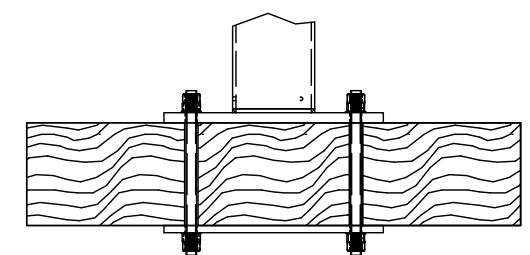
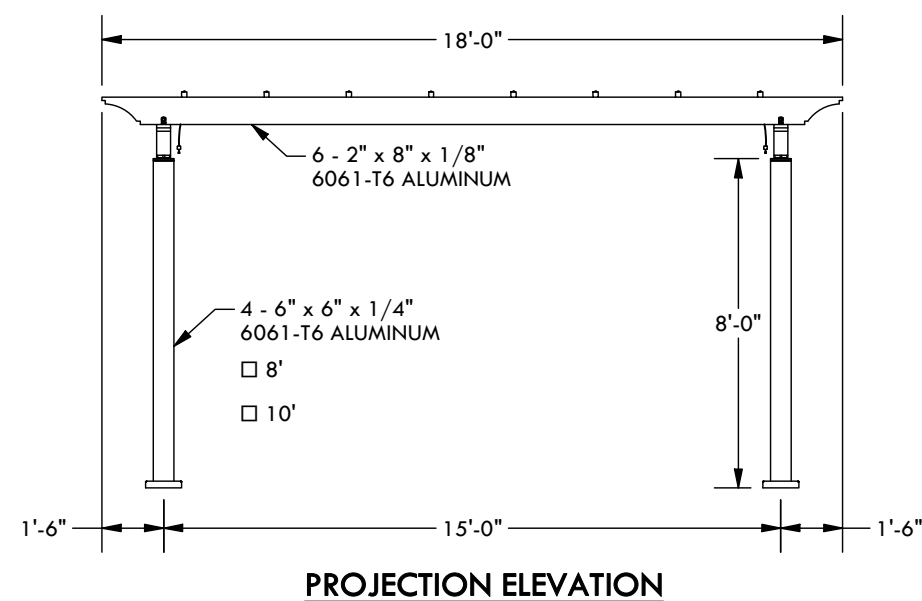
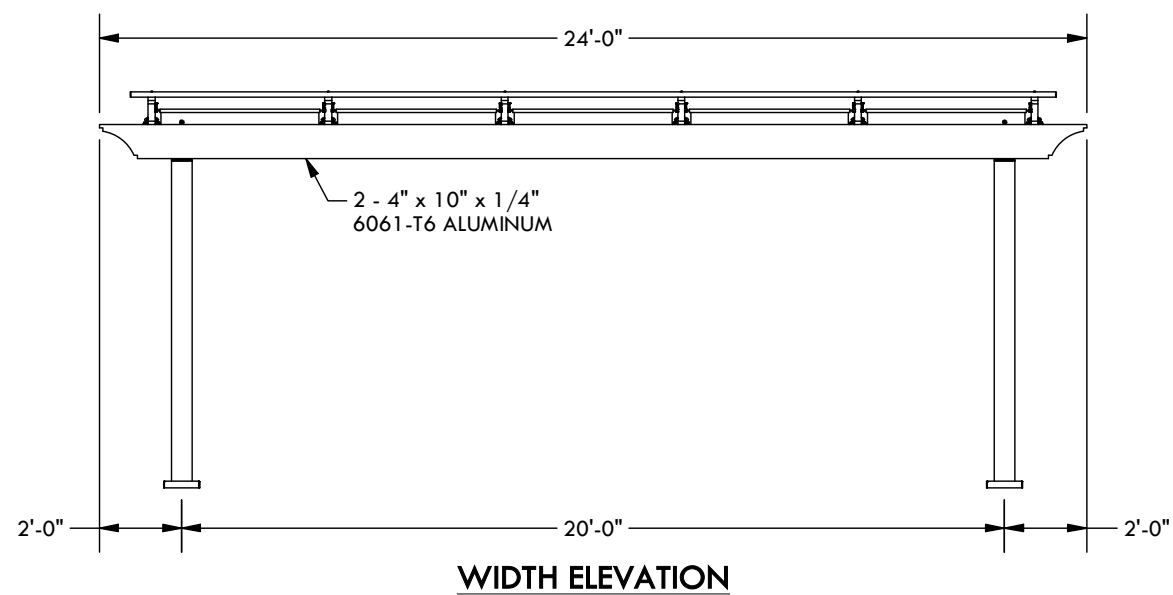


CONCRETE MOUNT



FRAMING MOUNT



DESCRIPTION			
24' WIDE X 18' PROJECTION FREESTANDING ATLAS			
REV	BY	DESCRIPTION	DATE
	CL	INITIAL RELEASE	1/13/2026

© 2026 Structureworks

STRUCTUREWORKS™

www.structureworks.com 877.489.8064