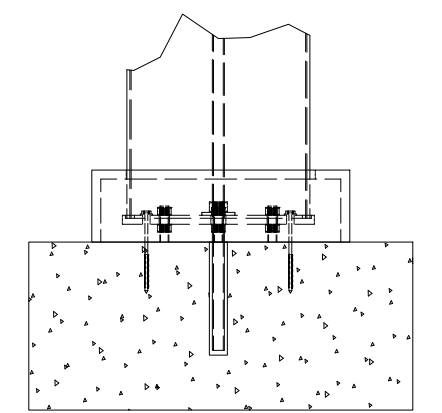
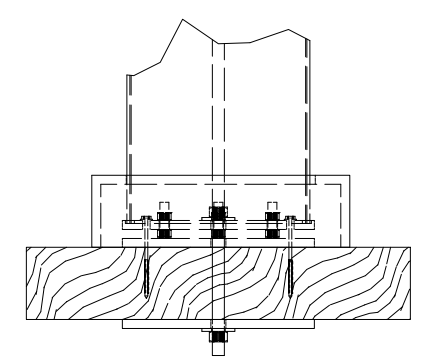


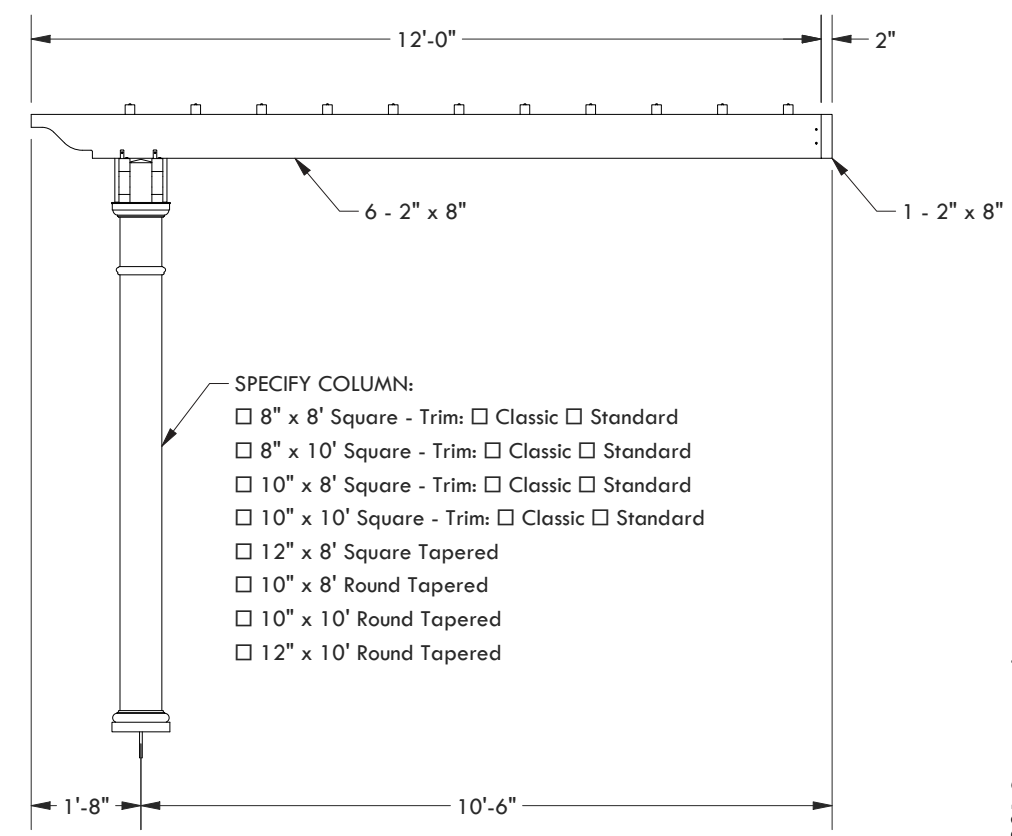
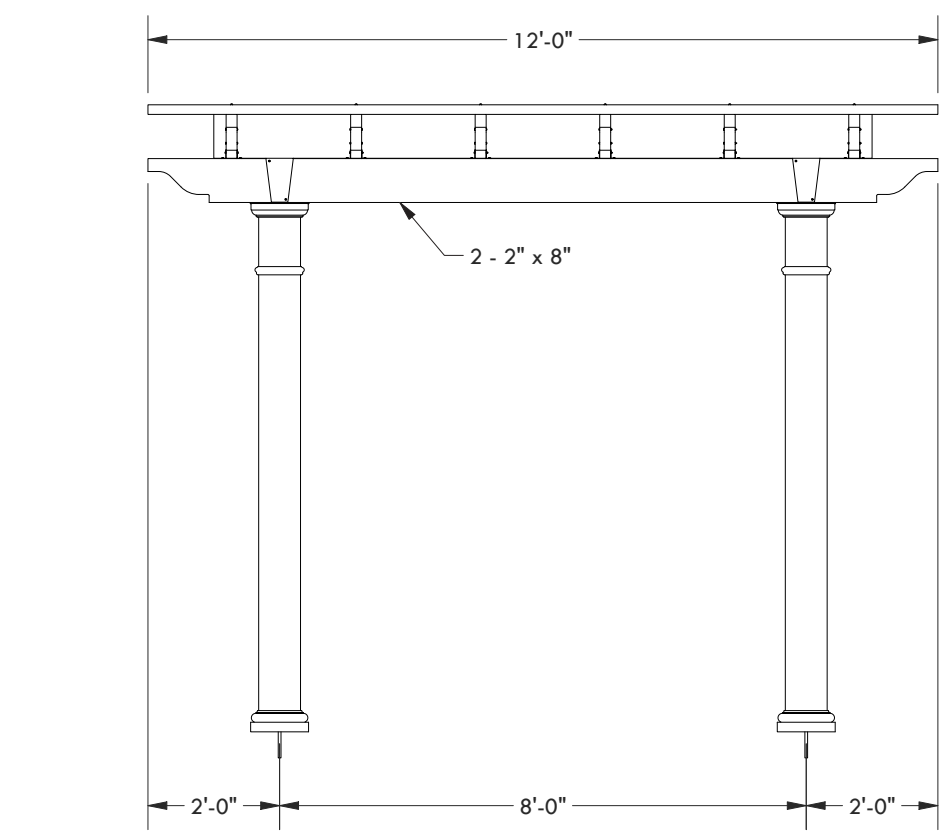
CLASSIC TRIM      STANDARD TRIM



CONCRETE MOUNT



FRAMING MOUNT



DESCRIPTION			
<b>12' WIDE X 12' PROJECTION ATTACHED WILLIAMSBURG</b>			
REV	BY	DESCRIPTION	DATE
1	NB	INITIAL RELEASE	04/02/21

**STRUCTUREWORKS™**  
www.structureworks.com 877.489.8064

© 2021 Structureworks