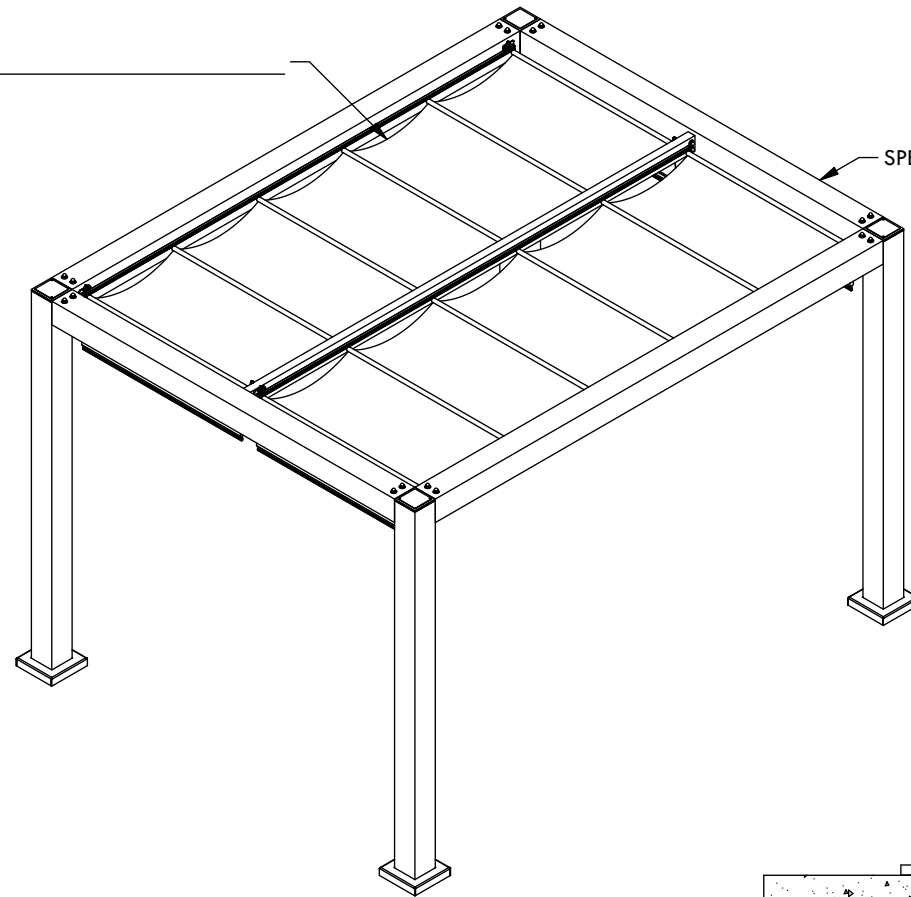
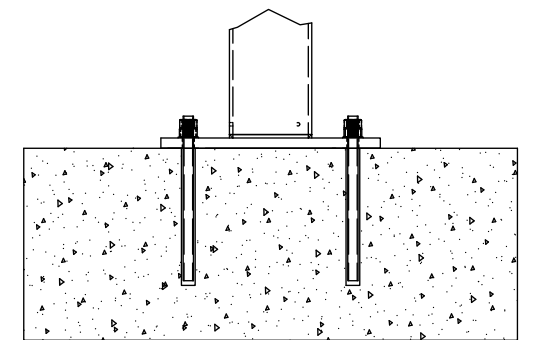
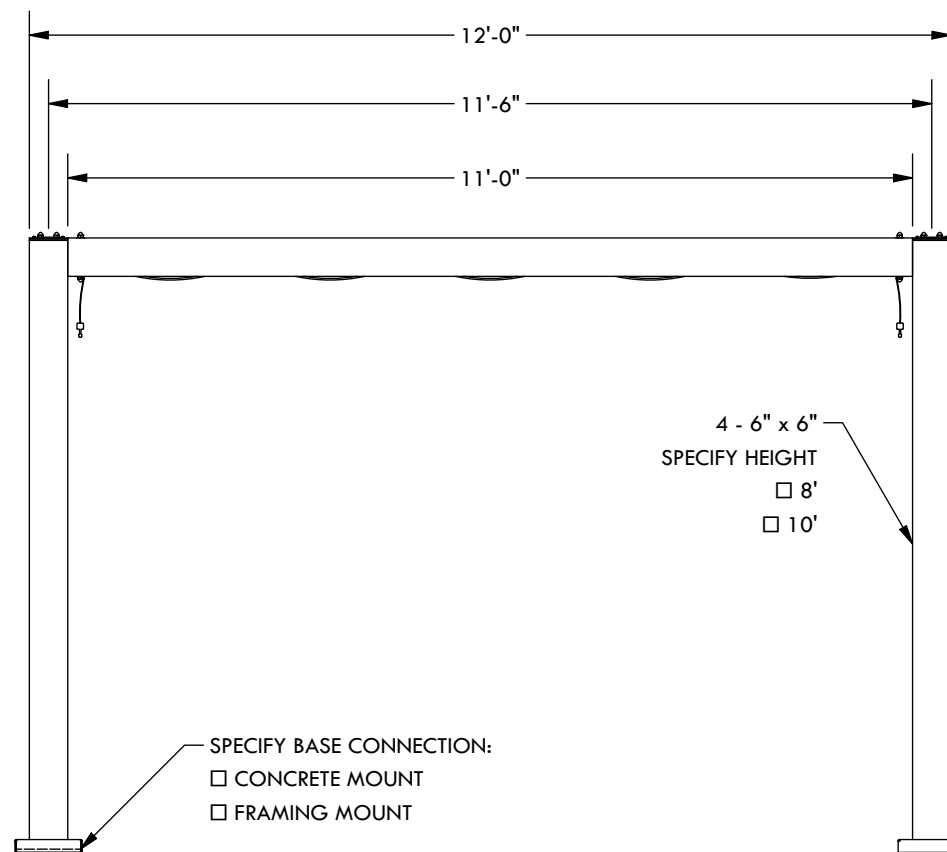
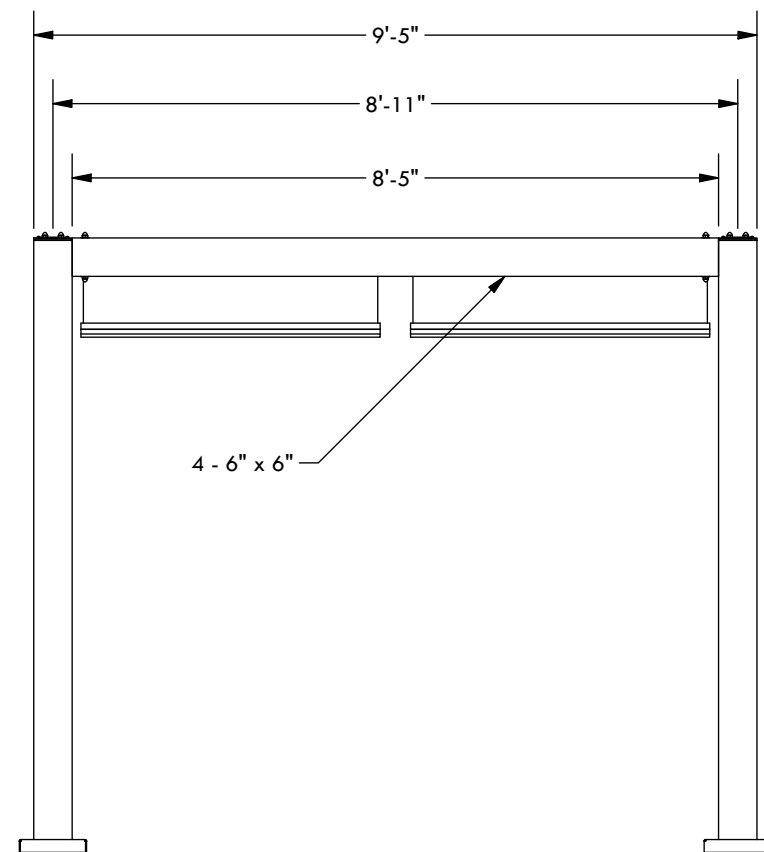


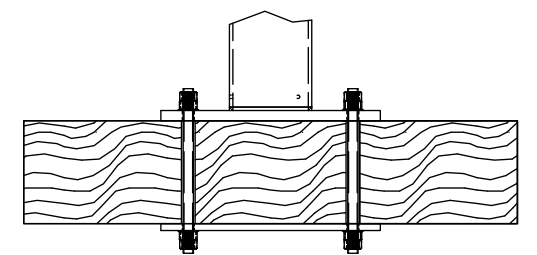
SPECIFY FABRIC:



SPECIFY FINISH:



CONCRETE MOUNT



FRAMING MOUNT

DESCRIPTION			
<b>9' 5" WIDE X 12' PROJECTION FREESTANDING BREEZE</b>			
REV	BY	DESCRIPTION	DATE
	MH	INITIAL RELEASE	5/12/2025

© 2025 Structureworks

**STRUCTUREWORKS™**

www.structureworks.com 877.489.8064