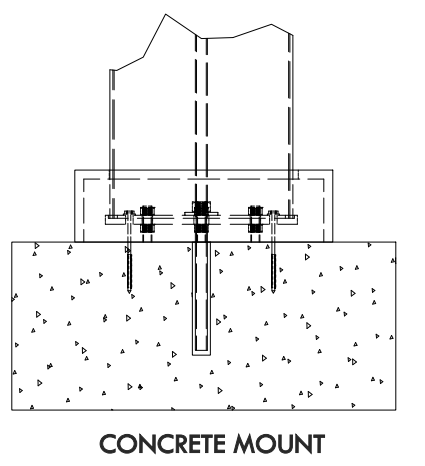
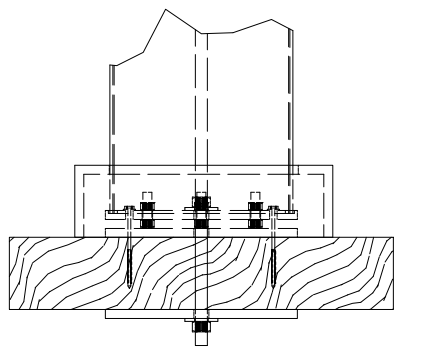


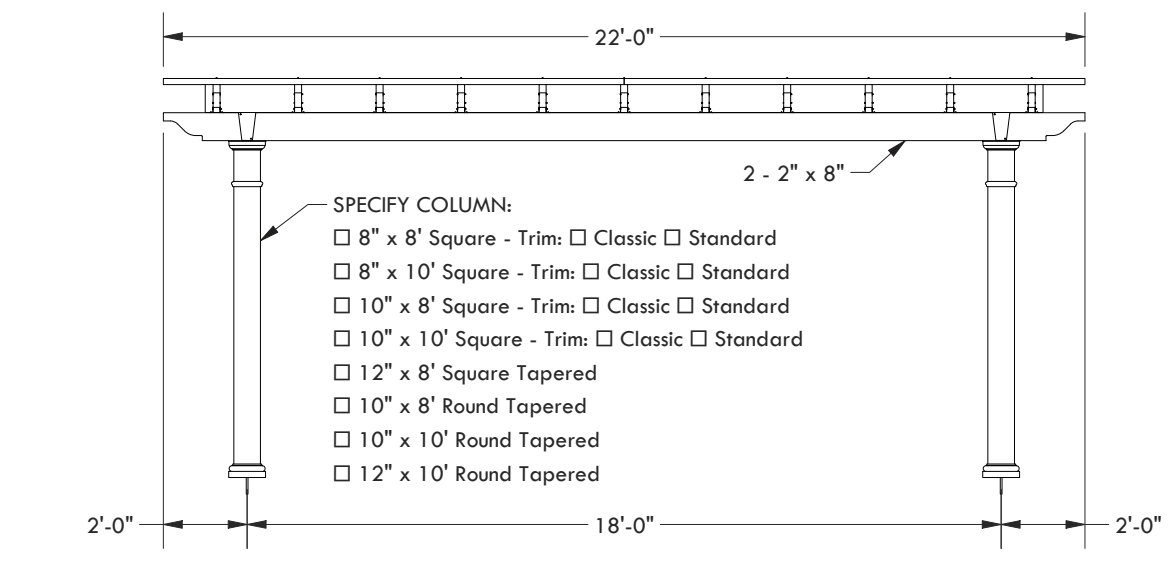
CLASSIC TRIM      STANDARD TRIM



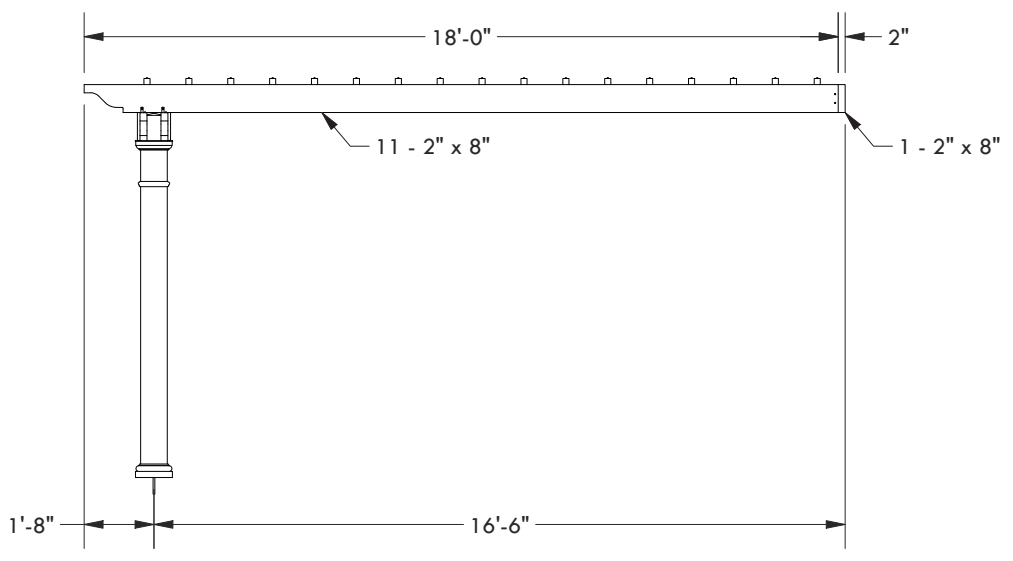
CONCRETE MOUNT



FRAMING MOUNT



- SPECIFY COLUMN:
- 8" x 8' Square - Trim:  Classic  Standard
  - 8" x 10' Square - Trim:  Classic  Standard
  - 10" x 8' Square - Trim:  Classic  Standard
  - 10" x 10' Square - Trim:  Classic  Standard
  - 12" x 8' Square Tapered
  - 10" x 8' Round Tapered
  - 10" x 10' Round Tapered
  - 12" x 10' Round Tapered



DESCRIPTION			
<b>22' WIDE X 18' PROJECTION ATTACHED WILLIAMSBURG</b>			
REV	BY	DESCRIPTION	DATE
1	NB	INITIAL RELEASE	04/02/21

**STRUCTUREWORKS**<sup>TM</sup>  
www.structureworks.com 877.489.8064

© 2021 Structureworks