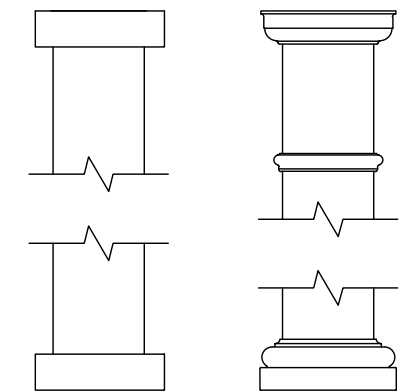
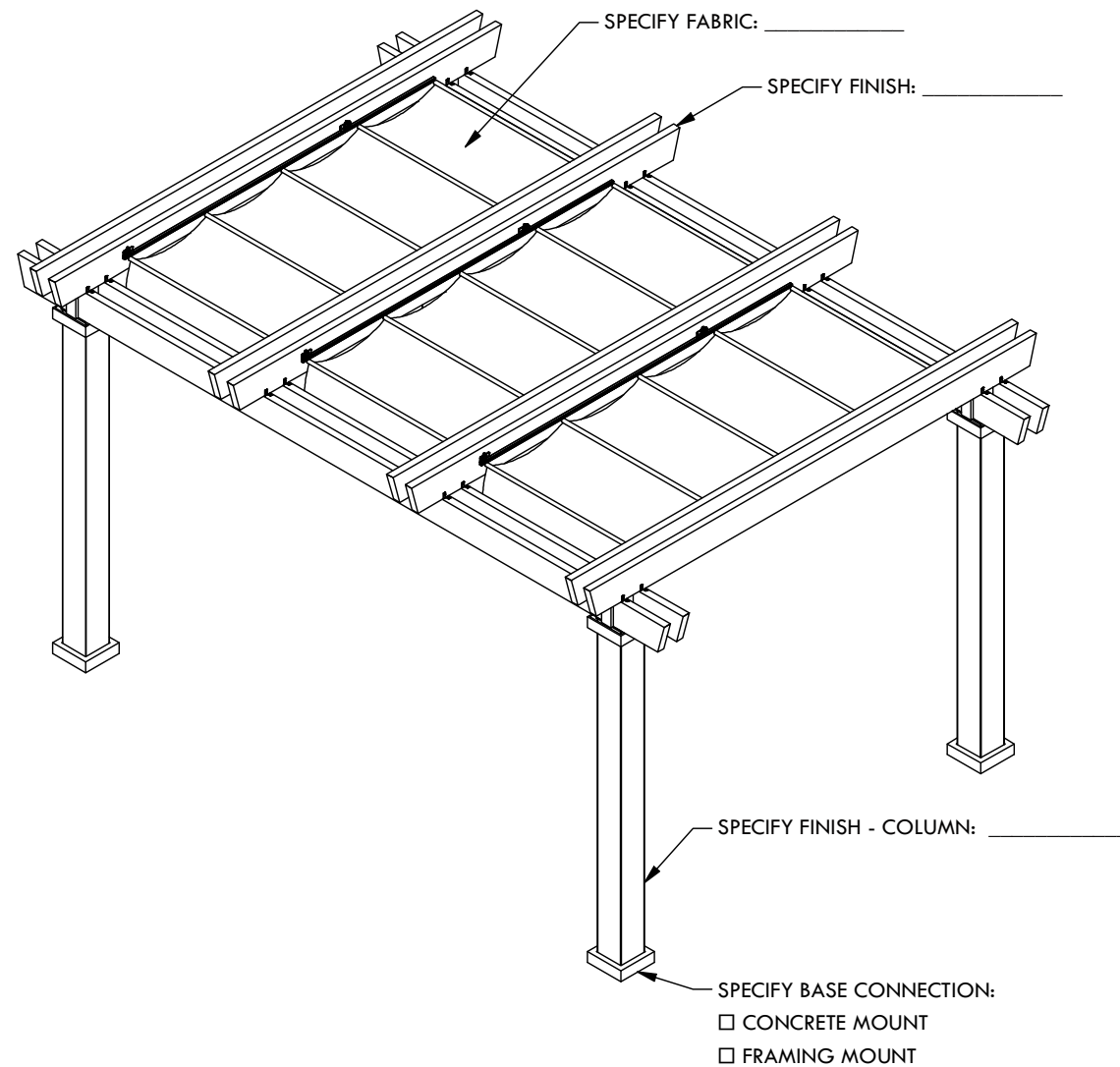
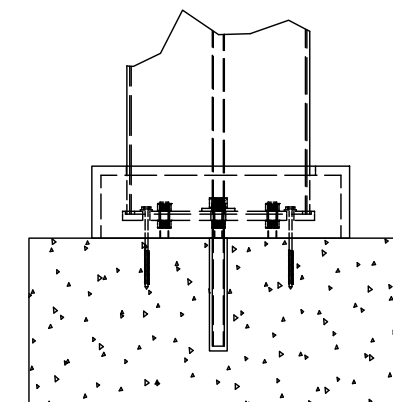


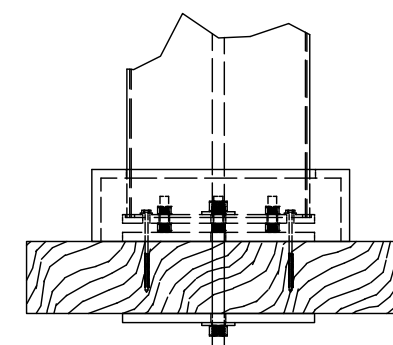
PLAN VIEW



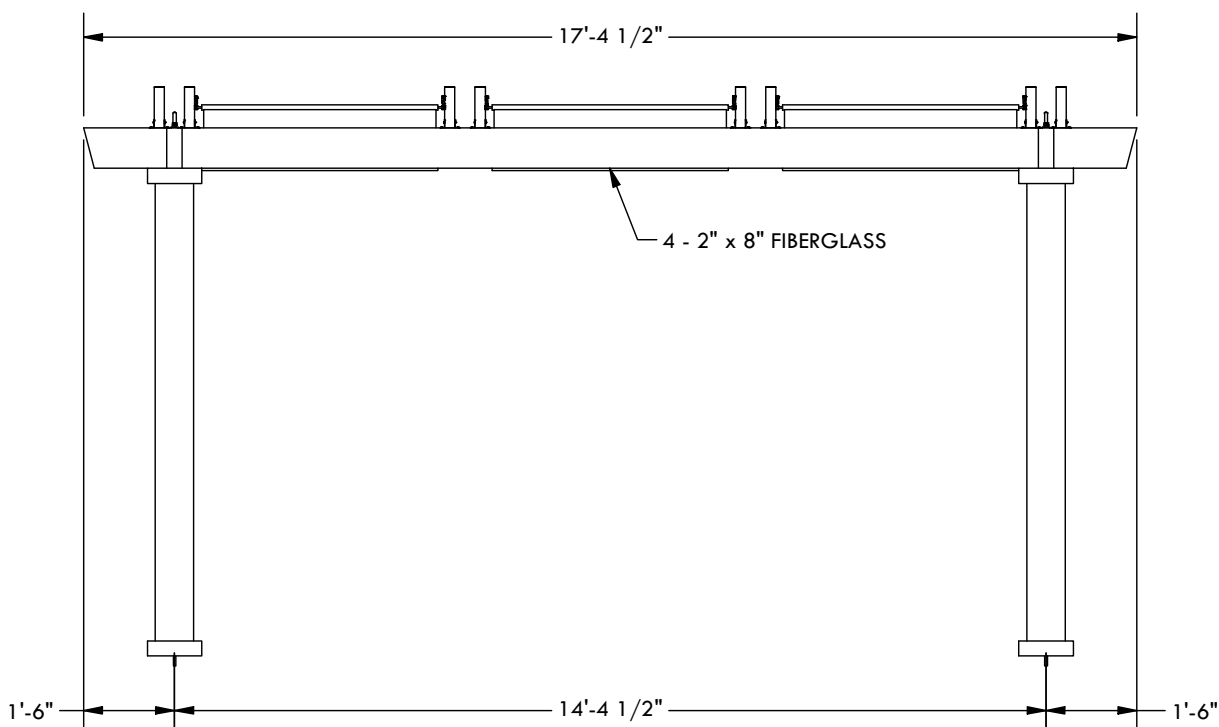
CLASSIC TRIM      STANDARD TRIM



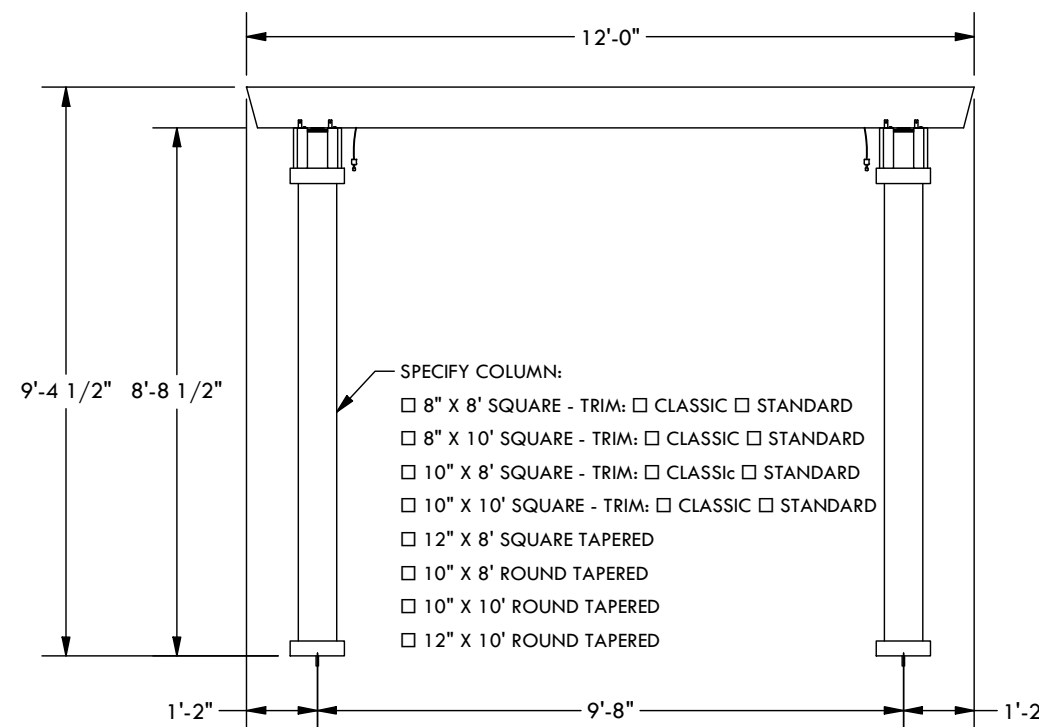
CONCRETE MOUNT



FRAMING MOUNT



WIDTH ELEVATION



PROJECTION ELEVATION

DESCRIPTION			
<b>17' WIDE X 12' PROJECTION FREESTANDING PLAYA</b>			
REV	BY	DESCRIPTION	DATE
	CL	INITIAL RELEASE	10/28/2025

© 2025 Structureworks

**STRUCTUREWORKS™**

www.structureworks.com 877.489.8064