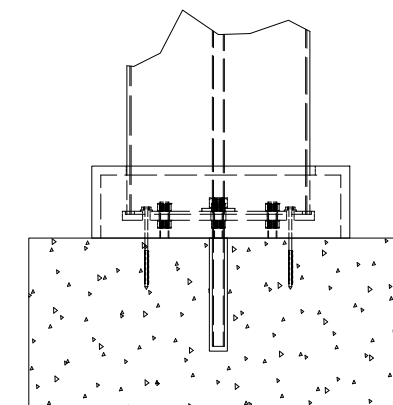
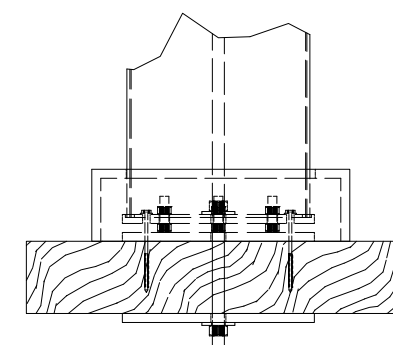


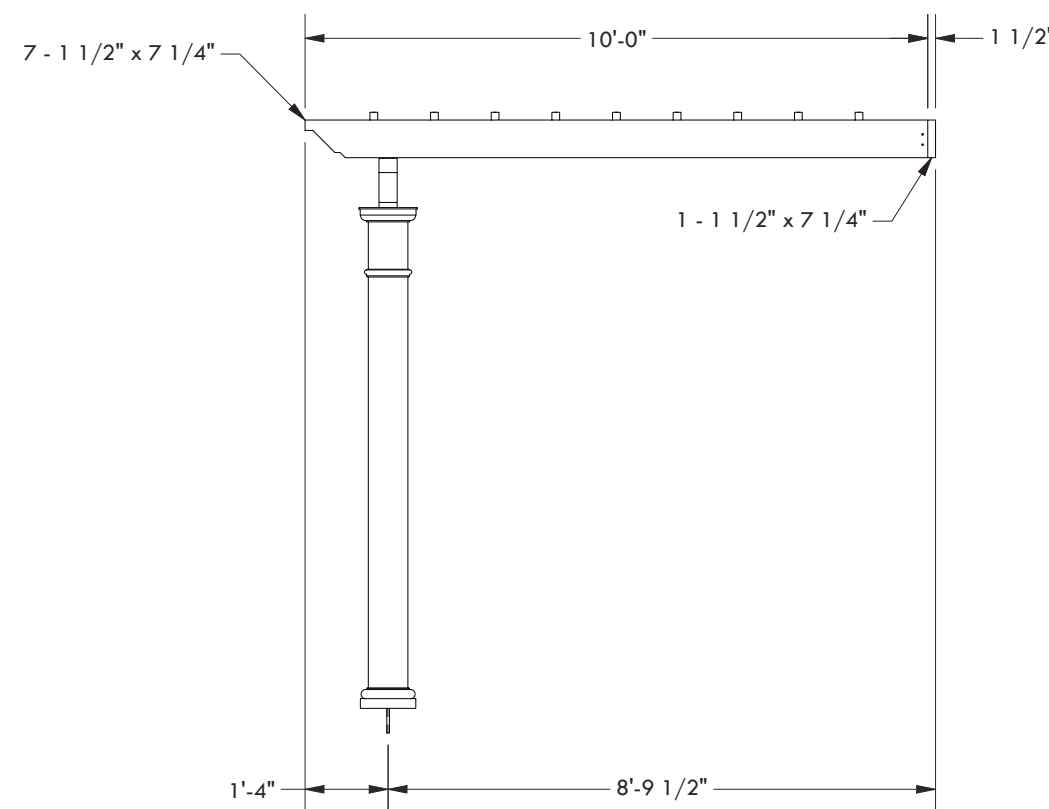
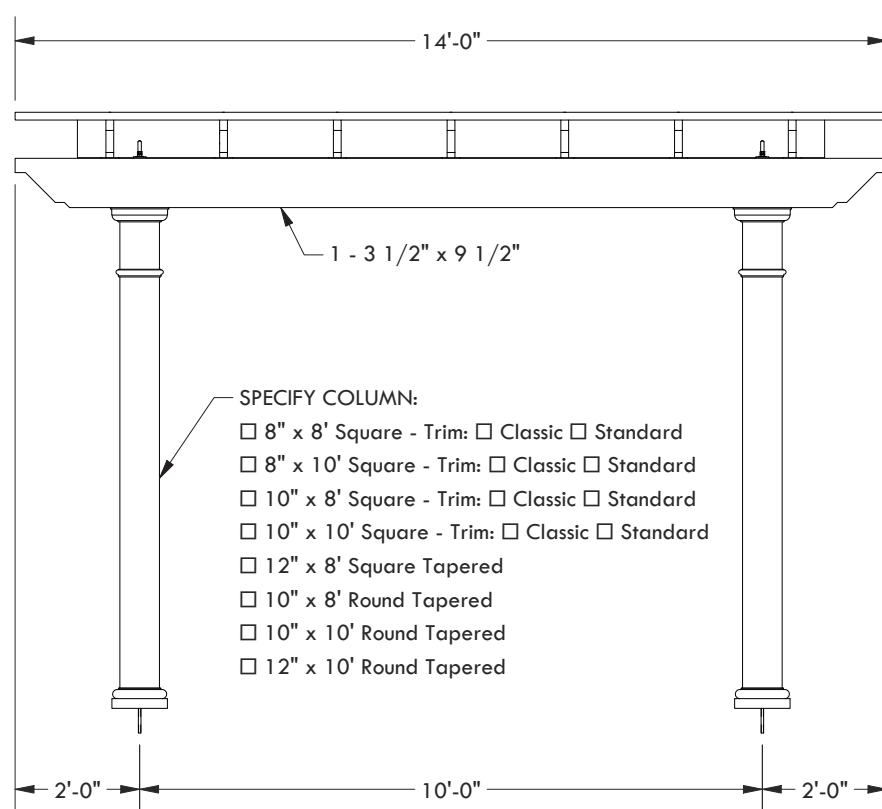
CLASSIC TRIM STANDARD TRIM



CONCRETE MOUNT



FRAMING MOUNT



© 2021 Structureworks

DESCRIPTION			
14' WIDE X 10' PROJECTION ATTACHED TREX PERGOLA			
REV	BY	DESCRIPTION	DATE
1	NB	INITIAL RELEASE	03/31/21

Trex® Pergola™
 www.trexpergola.com 888.908.4965