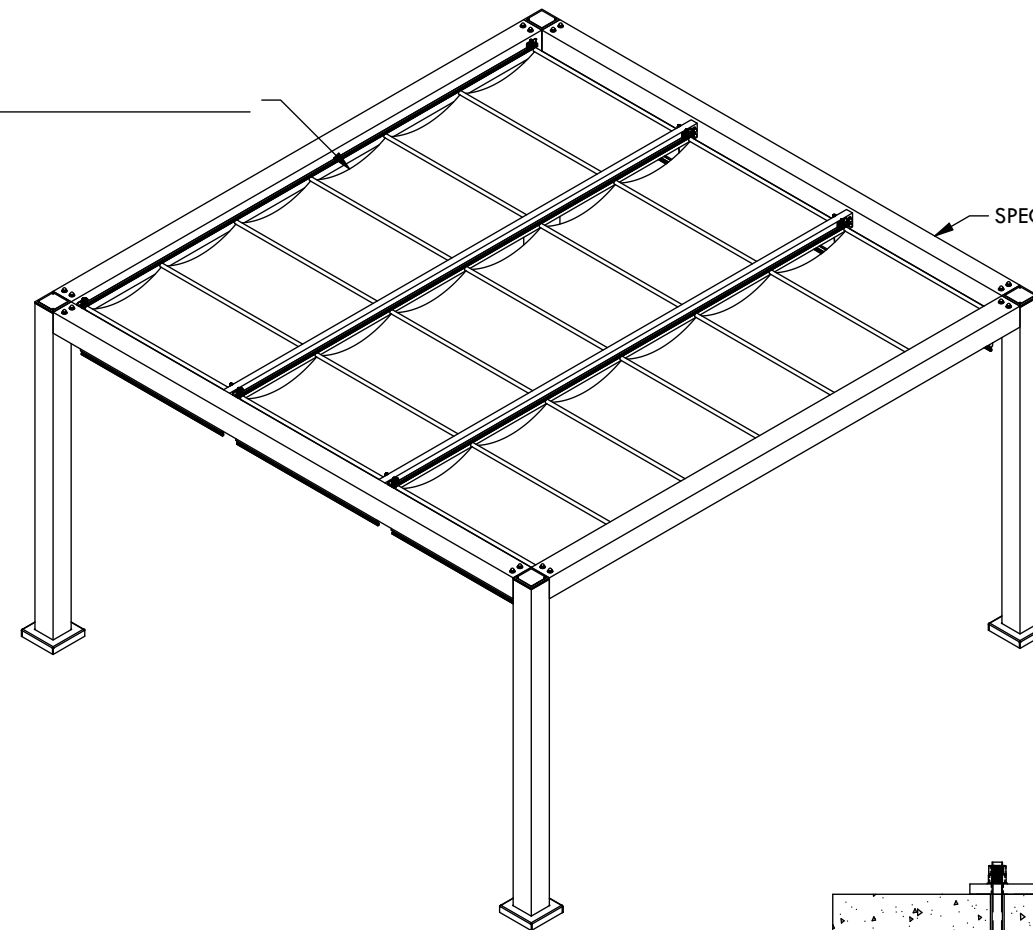
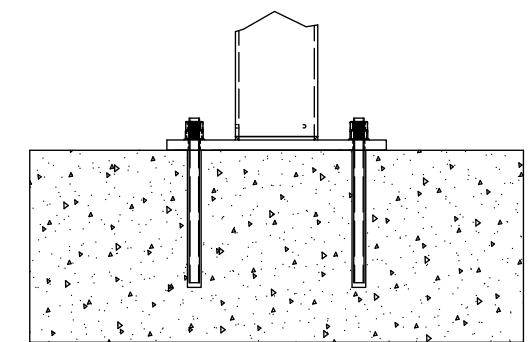


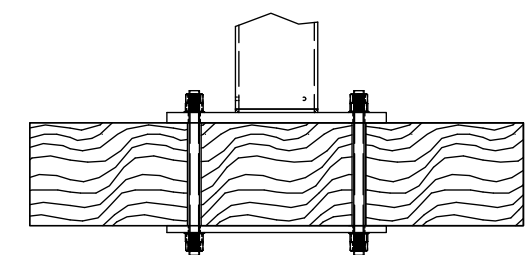
SPECIFY FABRIC:



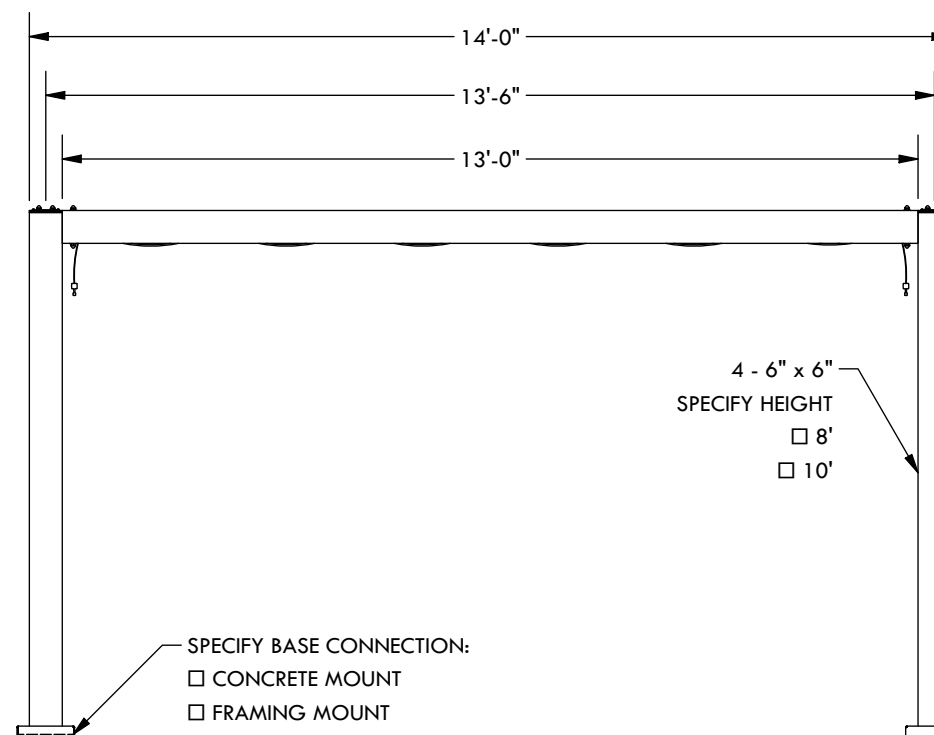
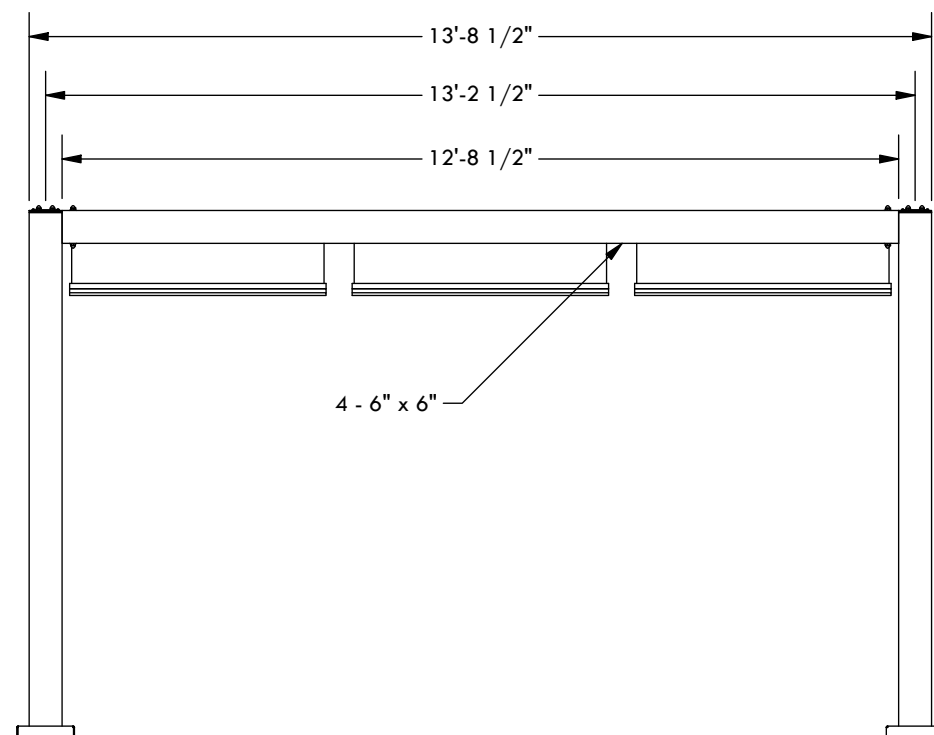
SPECIFY FINISH:



CONCRETE MOUNT



FRAMING MOUNT



SPECIFY BASE CONNECTION:

- CONCRETE MOUNT
- FRAMING MOUNT

DESCRIPTION			
13' 9" WIDE X 14' PROJECTION FREESTANDING BREEZE			
REV	BY	DESCRIPTION	DATE
	MH	INITIAL RELEASE	5/12/2025

© 2025 Structureworks

STRUCTUREWORKS™

www.structureworks.com 877.489.8064