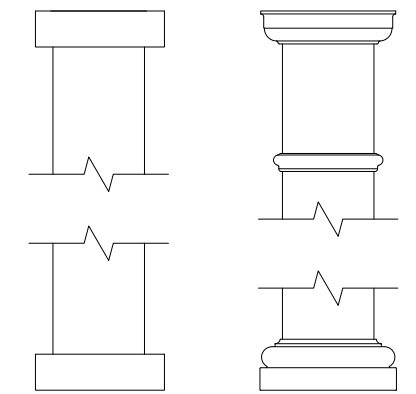
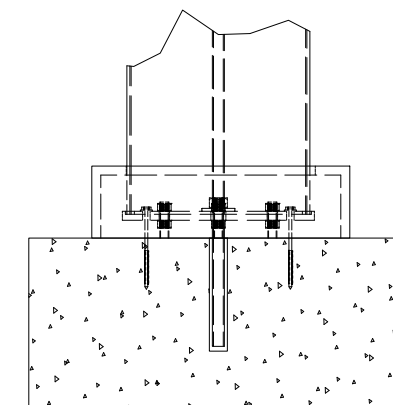


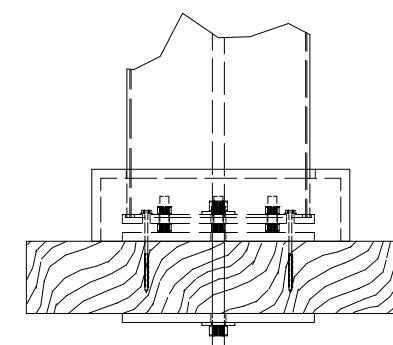
SPECIFY BASE CONNECTION:
 CONCRETE MOUNT
 FRAMING MOUNT



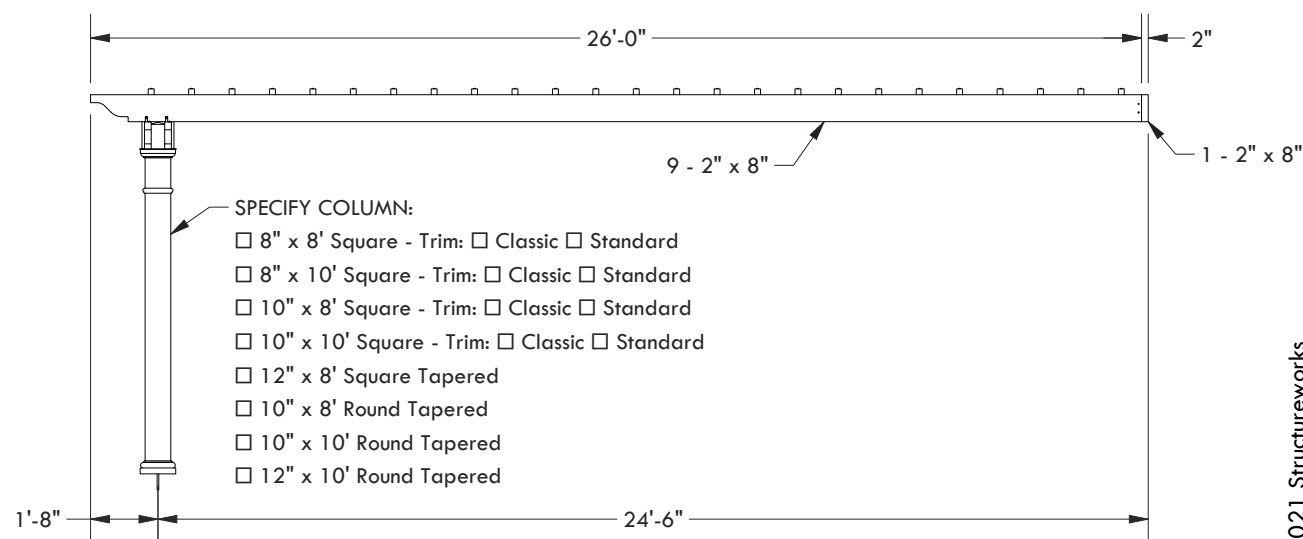
CLASSIC TRIM STANDARD TRIM



CONCRETE MOUNT



FRAMING MOUNT



SPECIFY COLUMN:
 8" x 8' Square - Trim: Classic Standard
 8" x 10' Square - Trim: Classic Standard
 10" x 8' Square - Trim: Classic Standard
 10" x 10' Square - Trim: Classic Standard
 12" x 8' Square Tapered
 10" x 8' Round Tapered
 10" x 10' Round Tapered
 12" x 10' Round Tapered

DESCRIPTION			
18' WIDE X 26' PROJECTION ATTACHED WILLIAMSBURG			
REV	BY	DESCRIPTION	DATE
1	NB	INITIAL RELEASE	04/02/21

STRUCTUREWORKS™
 www.structureworks.com 877.489.8064

© 2021 Structureworks