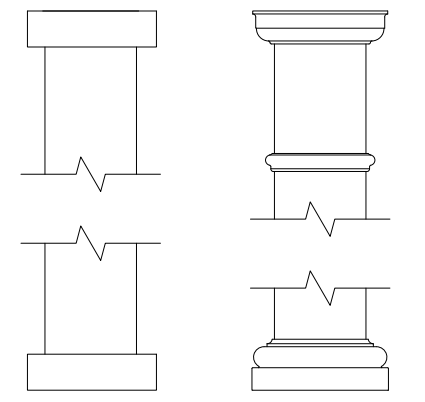


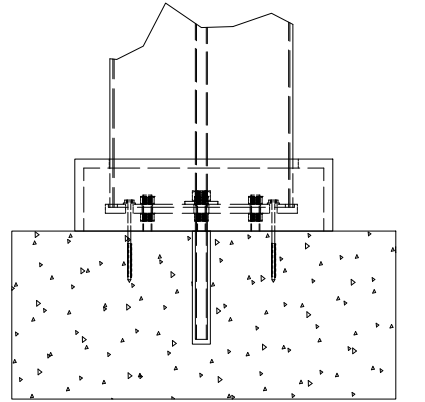
SPECIFY FINISH - STRUCTURE:
 UNPAINTED WHITE
 COLORLAST: _____

SPECIFY FINISH - COLUMN: _____

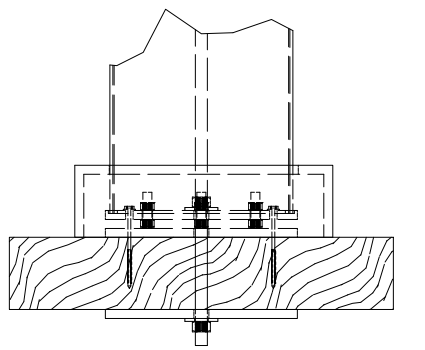
SPECIFY BASE CONNECTION:
 CONCRETE MOUNT
 FRAMING MOUNT



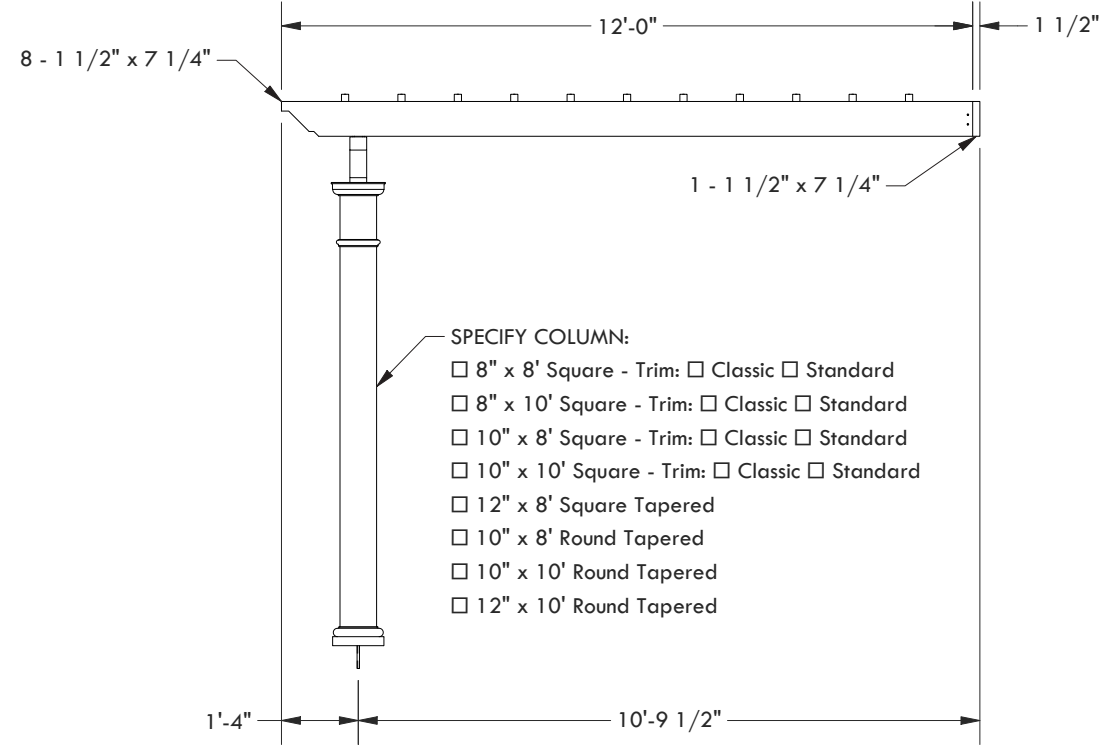
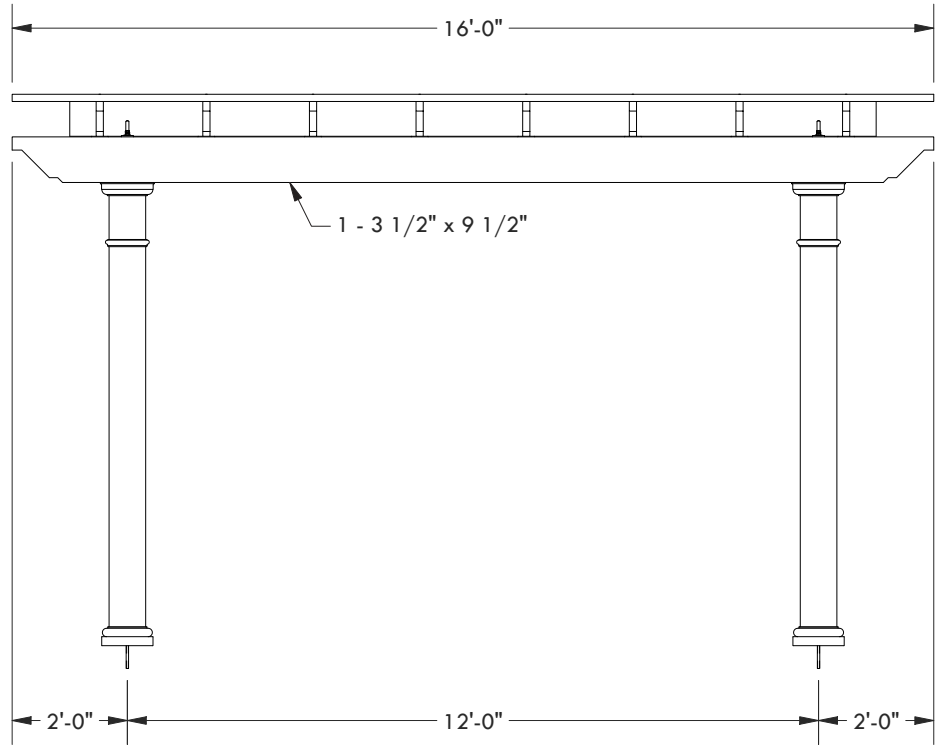
CLASSIC TRIM STANDARD TRIM



CONCRETE MOUNT



FRAMING MOUNT



SPECIFY COLUMN:
 8" x 8' Square - Trim: Classic Standard
 8" x 10' Square - Trim: Classic Standard
 10" x 8' Square - Trim: Classic Standard
 10" x 10' Square - Trim: Classic Standard
 12" x 8' Square Tapered
 10" x 8' Round Tapered
 10" x 10' Round Tapered
 12" x 10' Round Tapered

© 2021 Structureworks

DESCRIPTION			
16' WIDE X 12' PROJECTION ATTACHED TREX PERGOLA			
REV	BY	DESCRIPTION	DATE
1	NB	INITIAL RELEASE	03/31/21

Trex® Pergola™
 www.trexpergola.com 888.908.4965