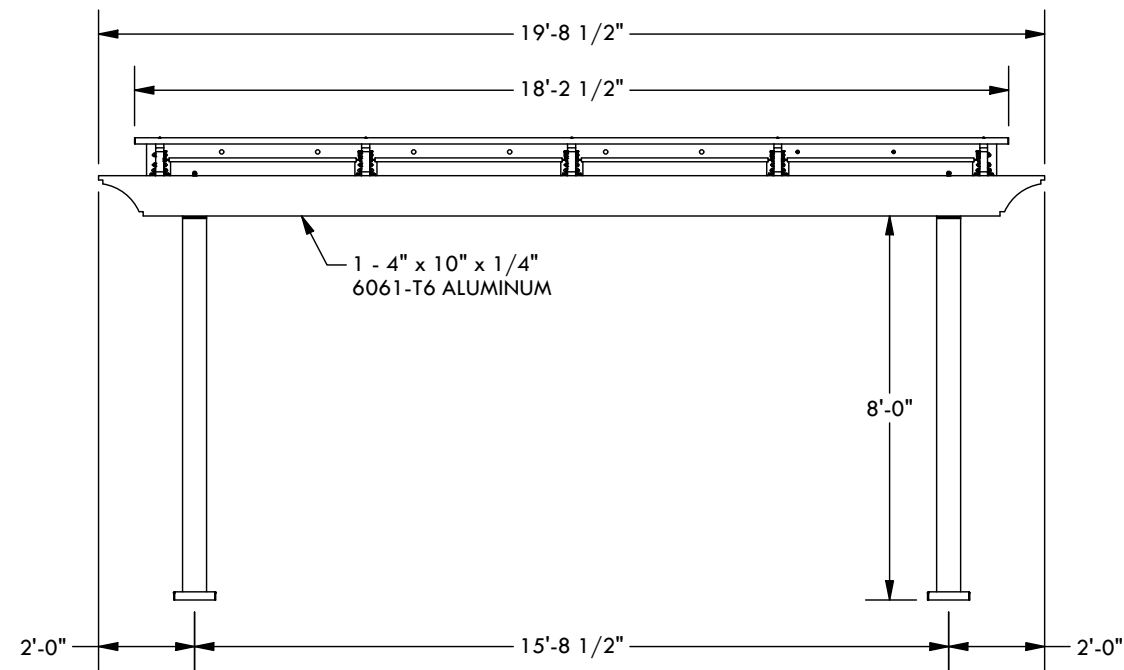
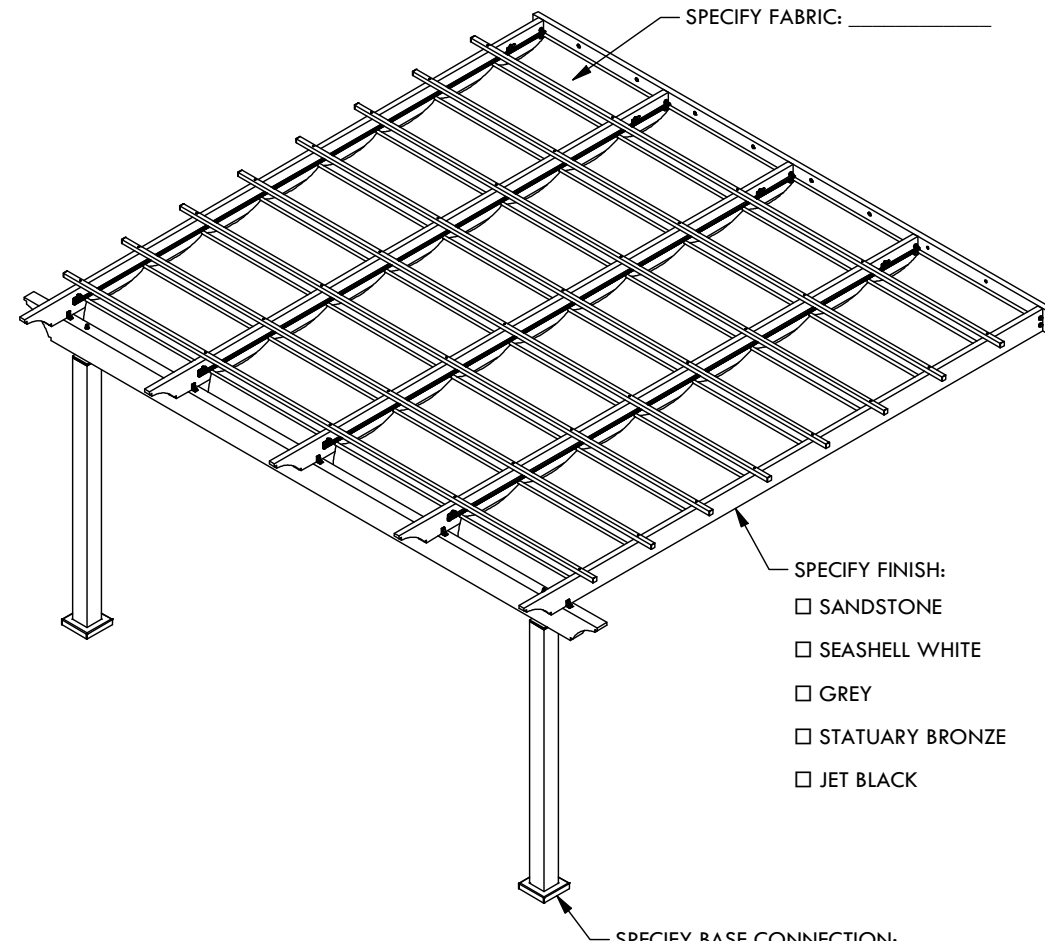
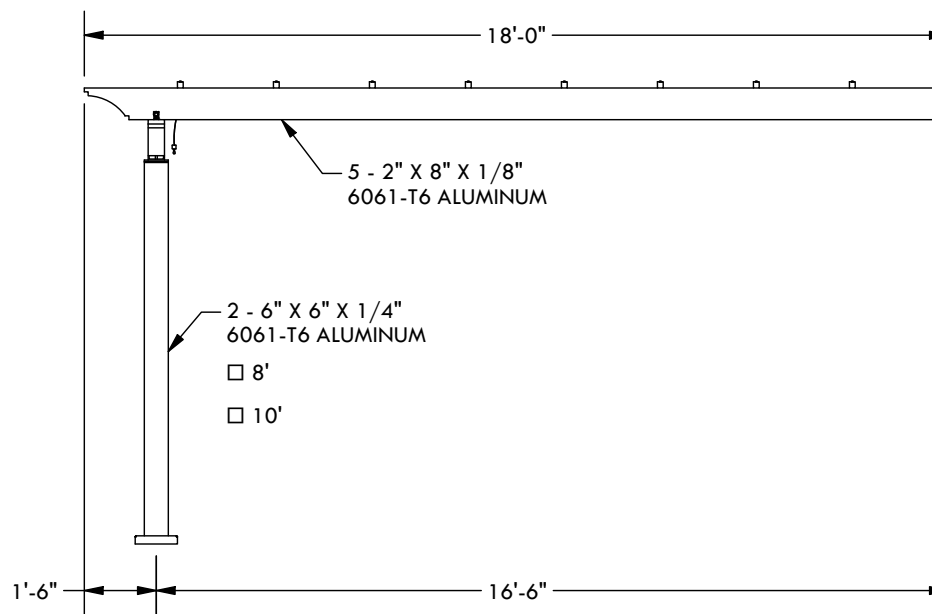


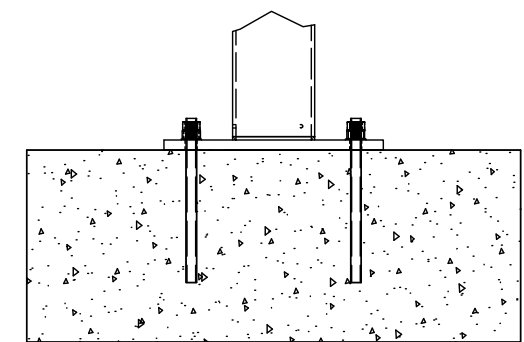
**PLAN VIEW**



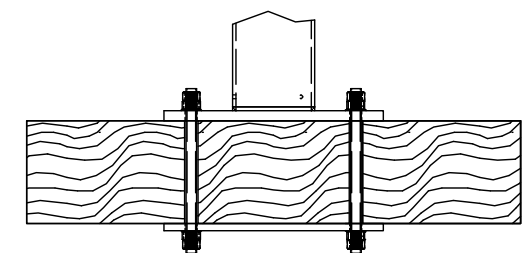
**WIDTH ELEVATION**



**PROJECTION ELEVATION**



**CONCRETE MOUNT**



**FRAMING MOUNT**

DESCRIPTION			
<b>20' WIDE X 18' PROJECTION ATTACHED ATLAS</b>			
REV	BY	DESCRIPTION	DATE
	CL	INITIAL RELEASE	1/13/2026

© 2026 Structureworks

**STRUCTUREWORKS™**

www.structureworks.com 877.489.8064