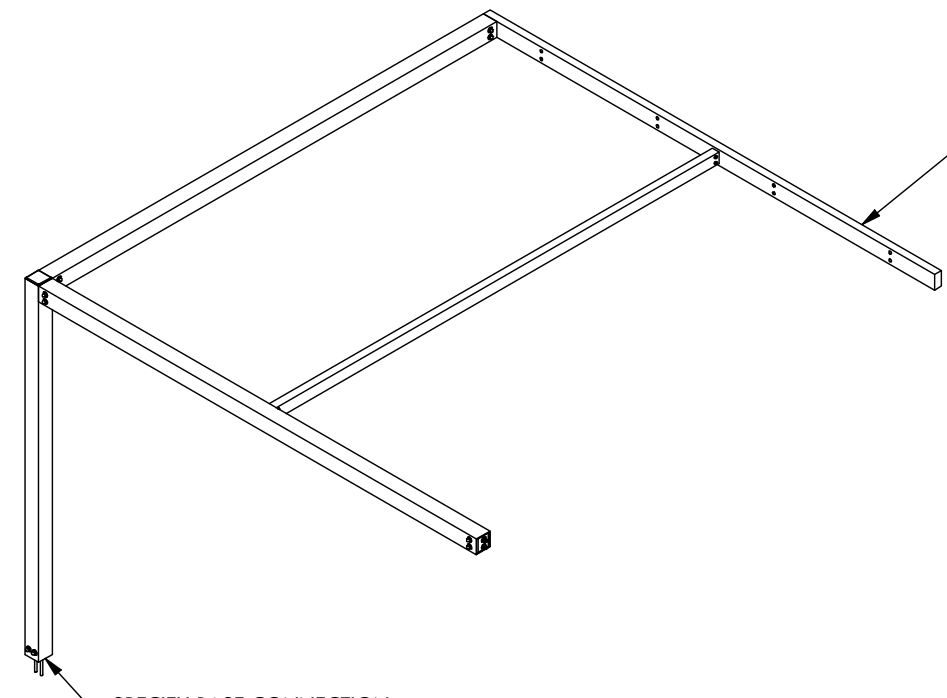
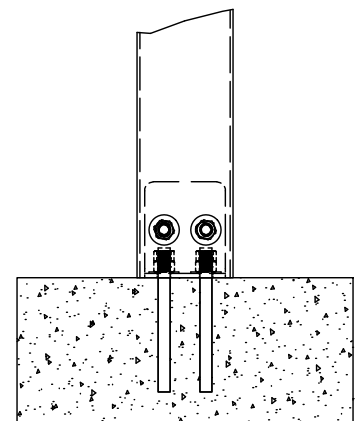


PLAN VIEW

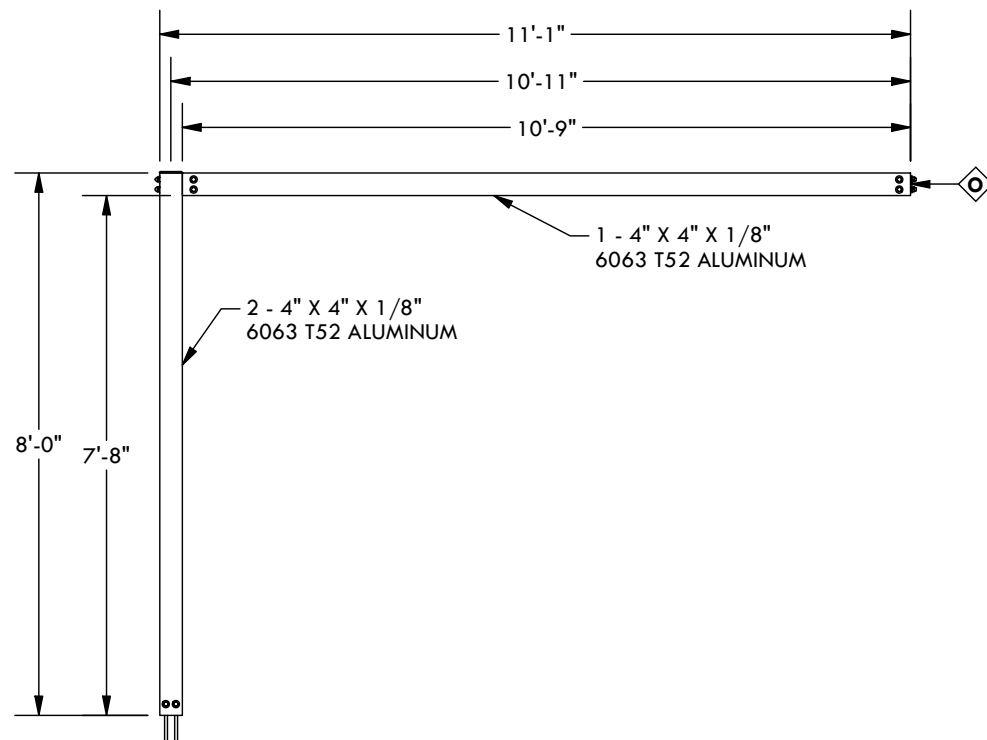


- SPECIFY FINISH:
- SEASHELL WHITE
 - SANDSTONE
 - GREY
 - STATUARY BRONZE
 - JET BLACK
 - OTHER: _____

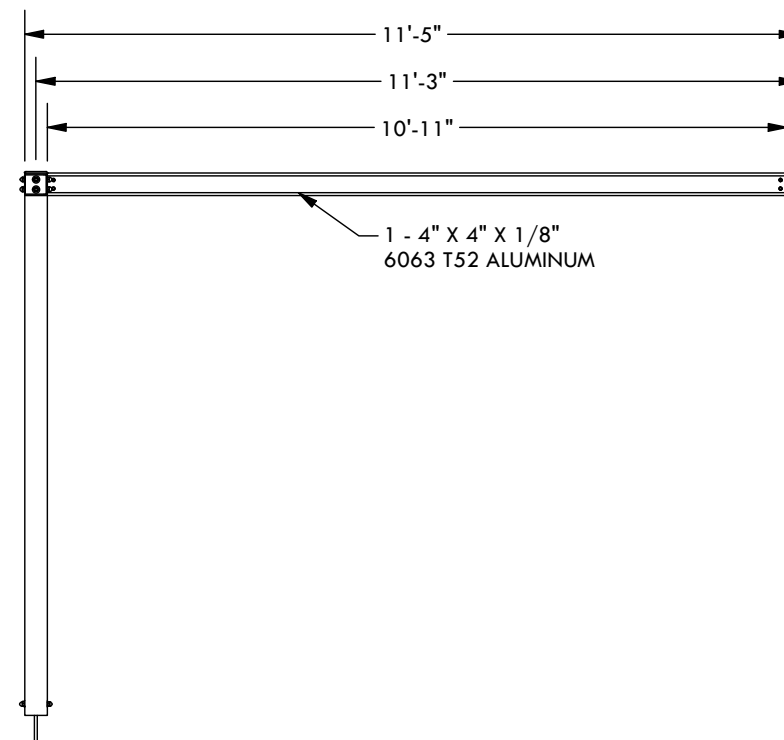
- SPECIFY BASE CONNECTION:
- CONCRETE MOUNT
 - FRAMING MOUNT



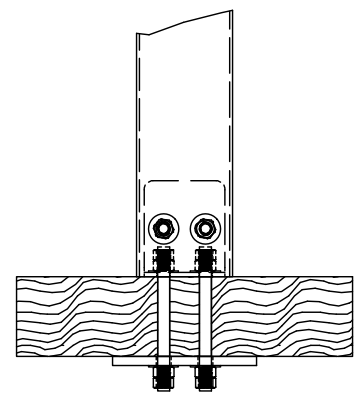
CONCRETE MOUNT



WIDTH ELEVATION



PROJECTION ELEVATION



FRAMING MOUNT

DESCRIPTION			
ZEPHYR - ATTACHED ADD-ON UNIT			
REV	BY	DESCRIPTION	DATE
	NTF	INITIAL RELEASE	1/13/2026
STRUCTUREWORKS™			
www.structureworks.com 877.489.8064			

© 2026 Structureworks