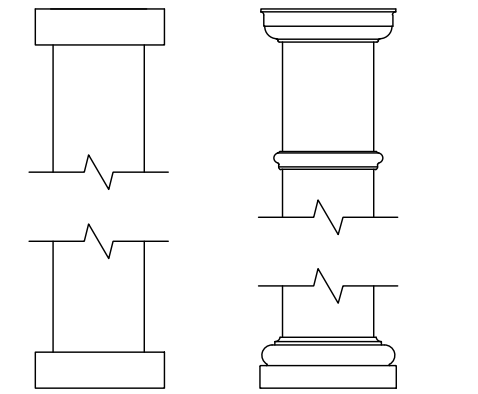
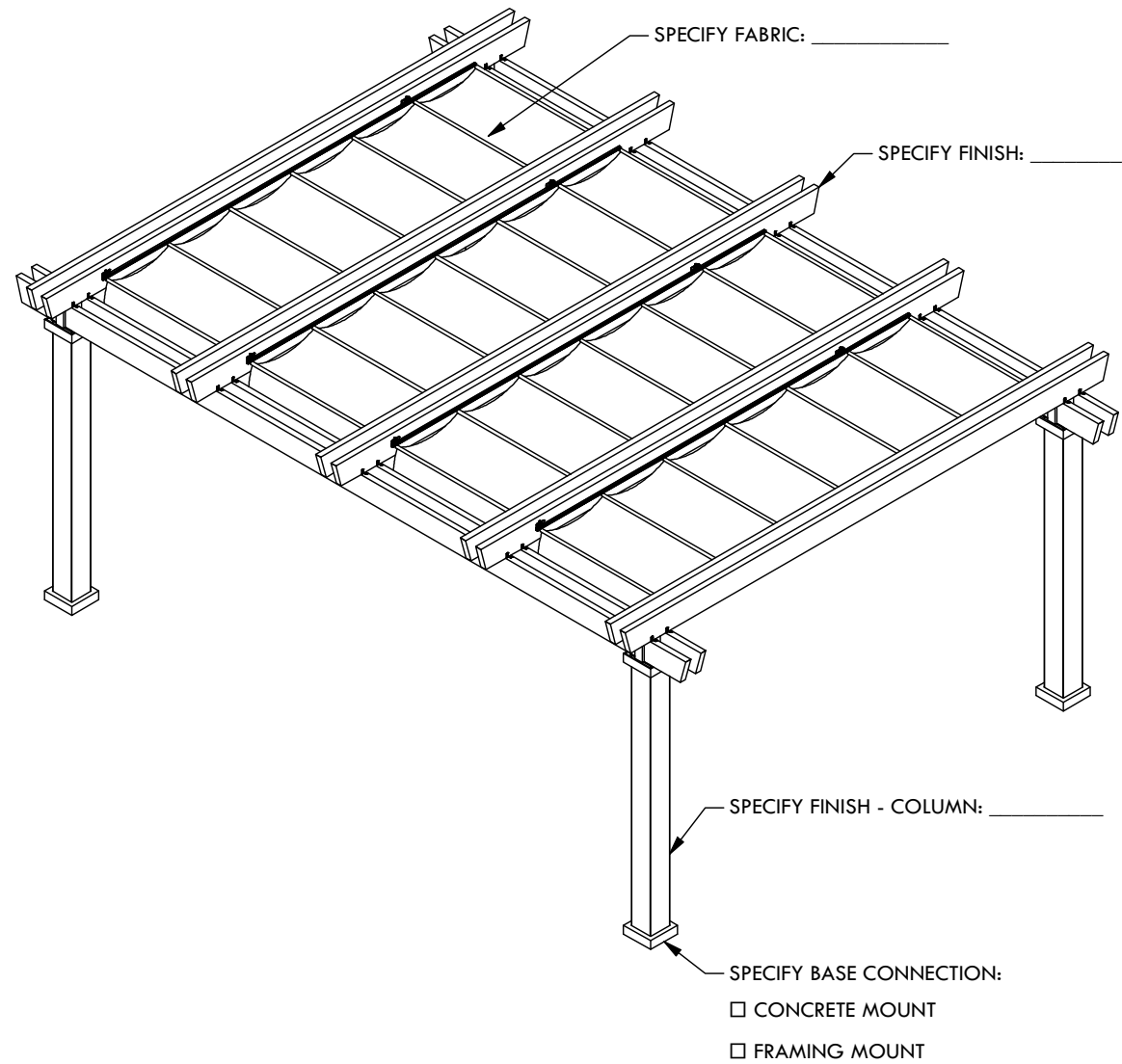
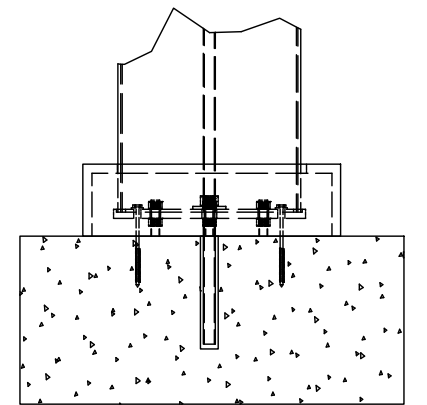


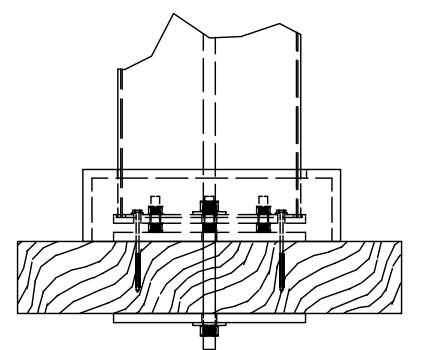
PLAN VIEW



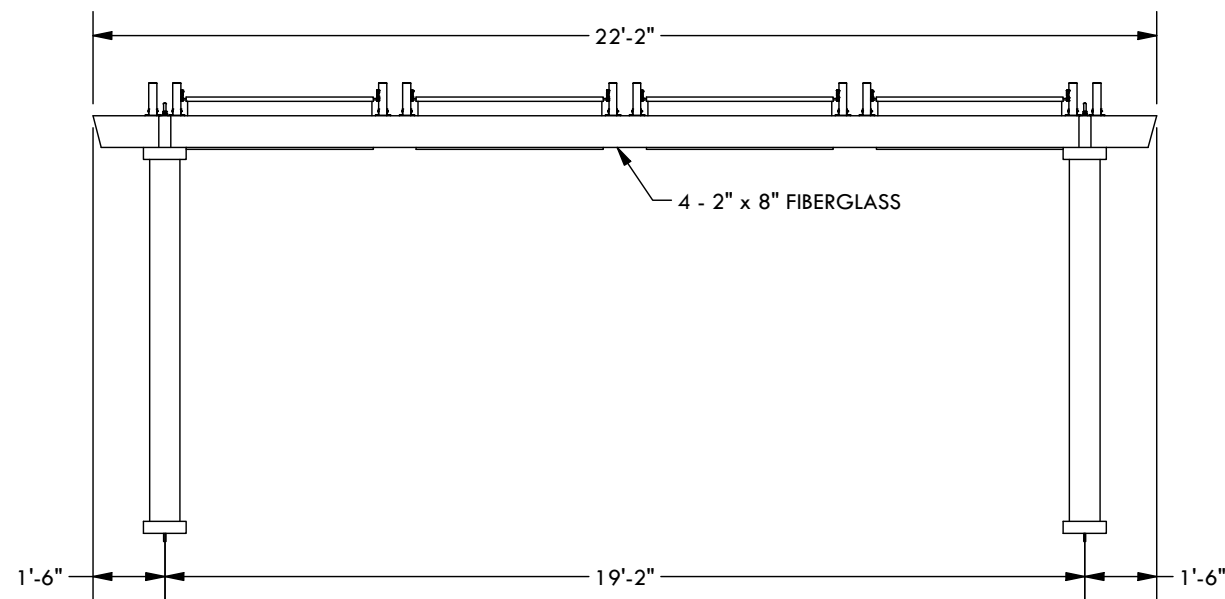
CLASSIC TRIM STANDARD TRIM



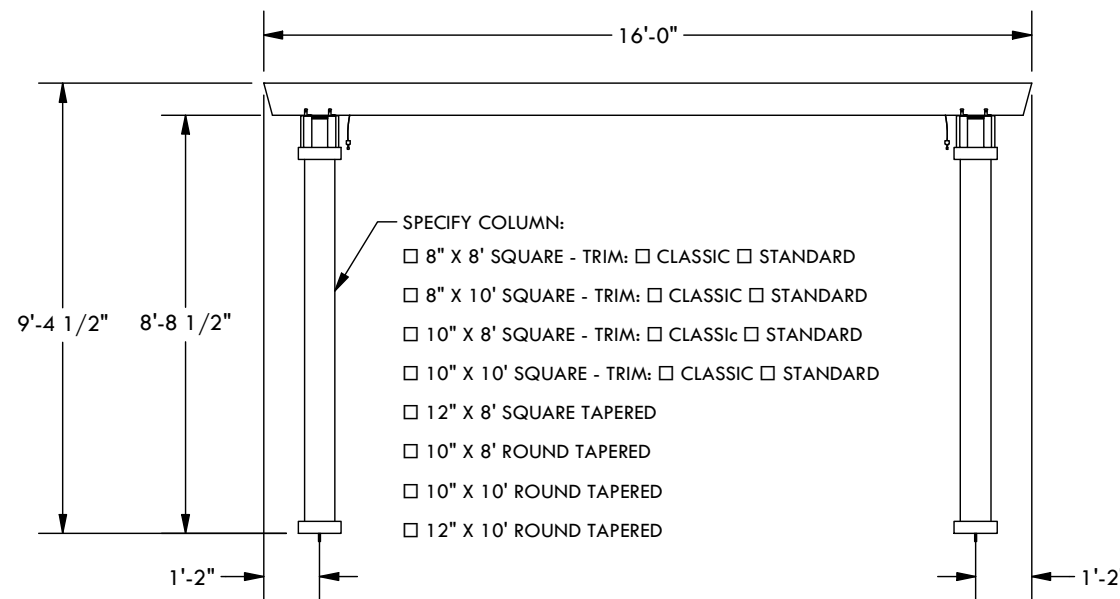
CONCRETE MOUNT



FRAMING MOUNT



WIDTH ELEVATION



PROJECTION ELEVATION

- SPECIFY COLUMN:**
- 8" X 8' SQUARE - TRIM: CLASSIC STANDARD
 - 8" X 10' SQUARE - TRIM: CLASSIC STANDARD
 - 10" X 8' SQUARE - TRIM: CLASSIC STANDARD
 - 10" X 10' SQUARE - TRIM: CLASSIC STANDARD
 - 12" X 8' SQUARE TAPERED
 - 10" X 8' ROUND TAPERED
 - 10" X 10' ROUND TAPERED
 - 12" X 10' ROUND TAPERED

DESCRIPTION			
22' WIDE X 16' PROJECTION FREESTANDING PLAYA			
REV	BY	DESCRIPTION	DATE
	CL	INITIAL RELEASE	10/28/2025

© 2025 Structureworks

STRUCTUREWORKS™

www.structureworks.com 877.489.8064