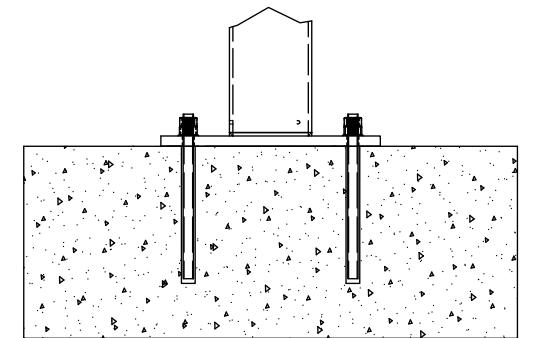
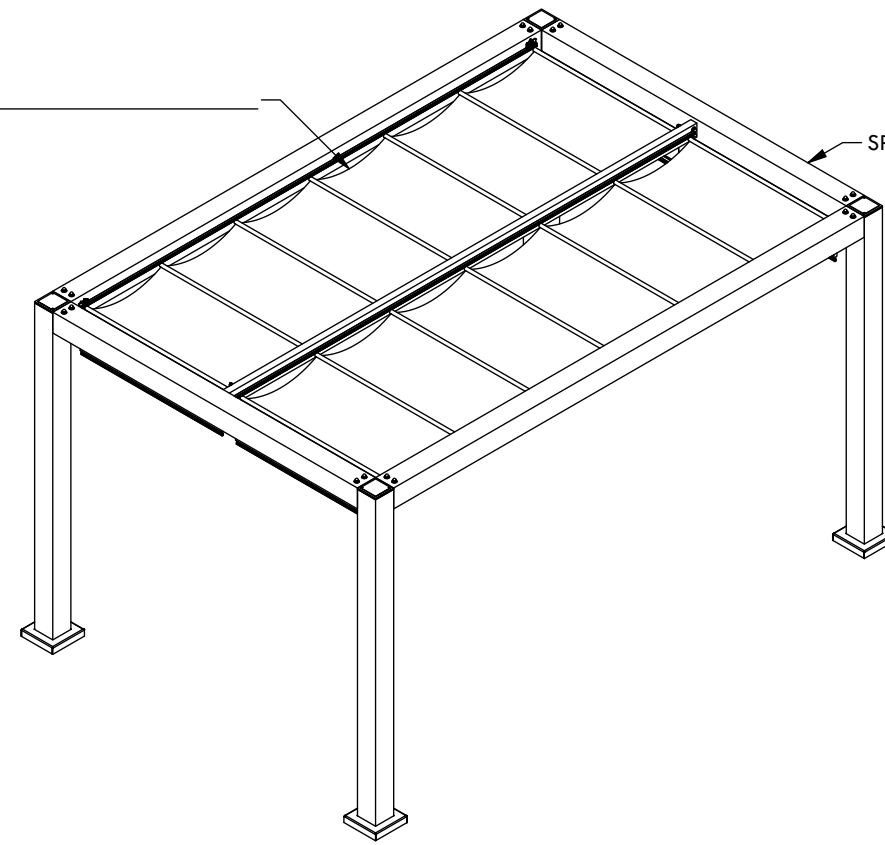
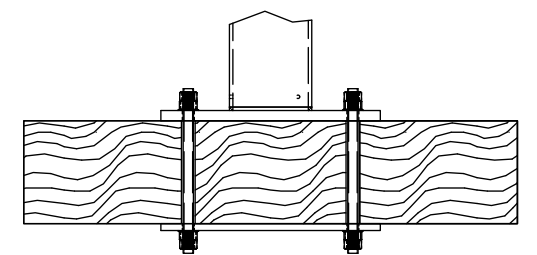


SPECIFY FABRIC: \_\_\_\_\_

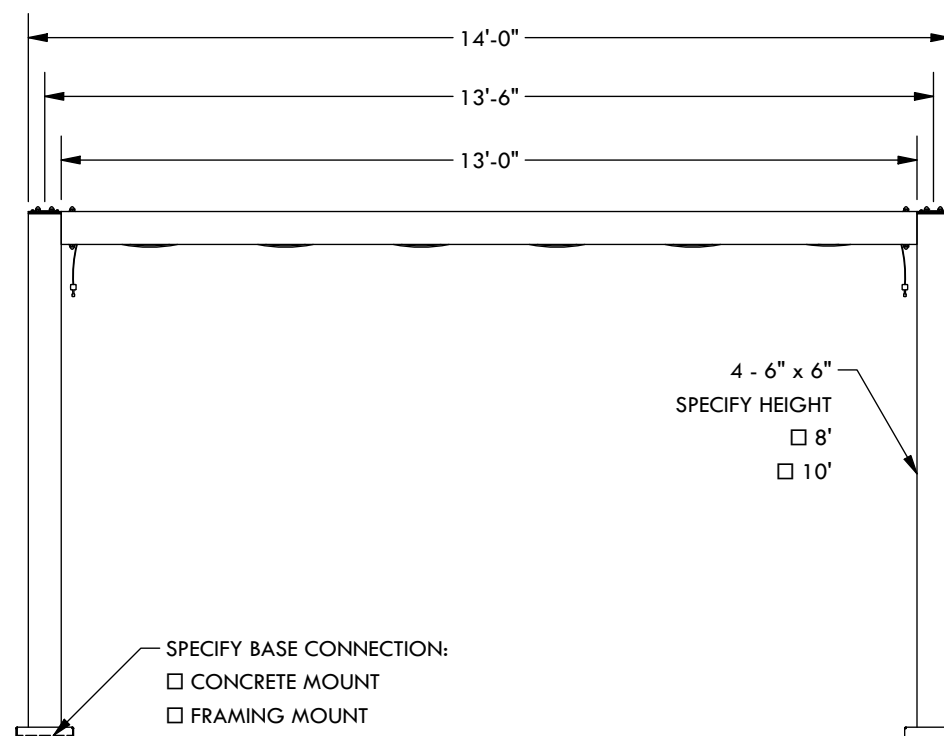
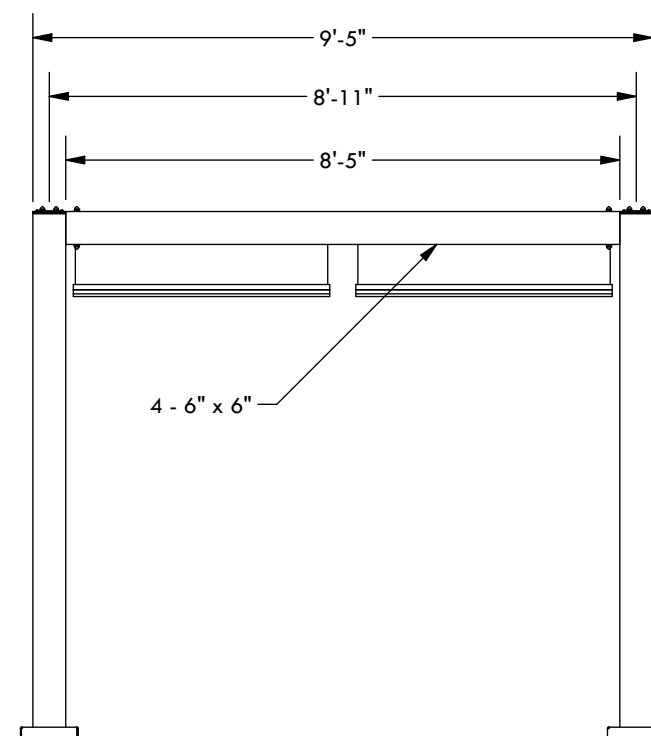
SPECIFY FINISH: \_\_\_\_\_



CONCRETE MOUNT



FRAMING MOUNT



DESCRIPTION			
<b>9' 5" WIDE X 14' PROJECTION FREESTANDING BREEZE</b>			
REV	BY	DESCRIPTION	DATE
	MH	INITIAL RELEASE	5/12/2025

© 2025 Structureworks

**STRUCTUREWORKS™**

www.structureworks.com 877.489.8064