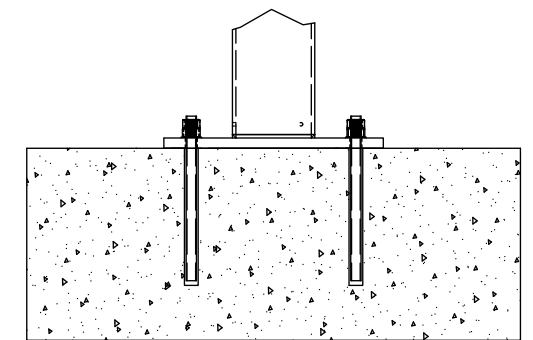
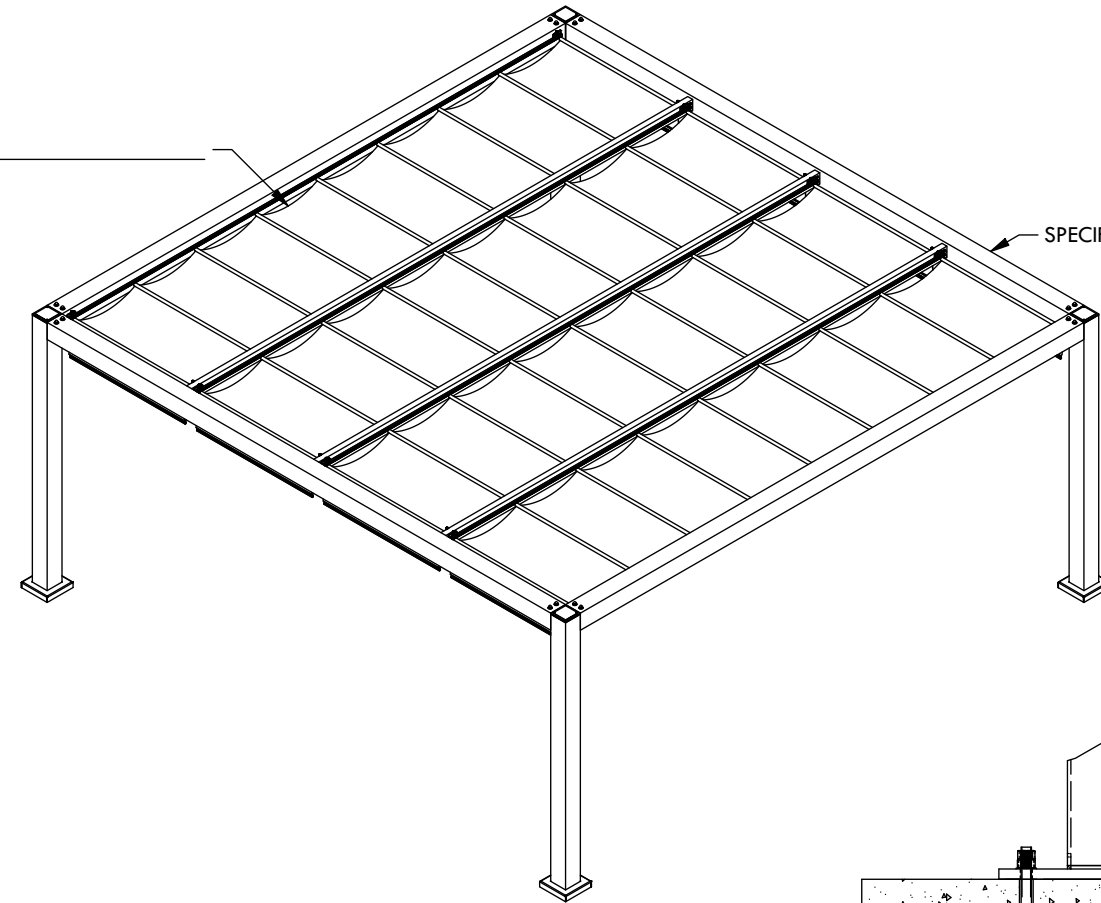
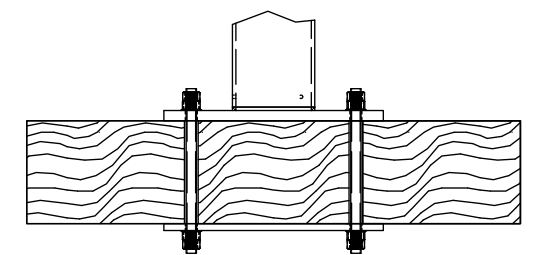


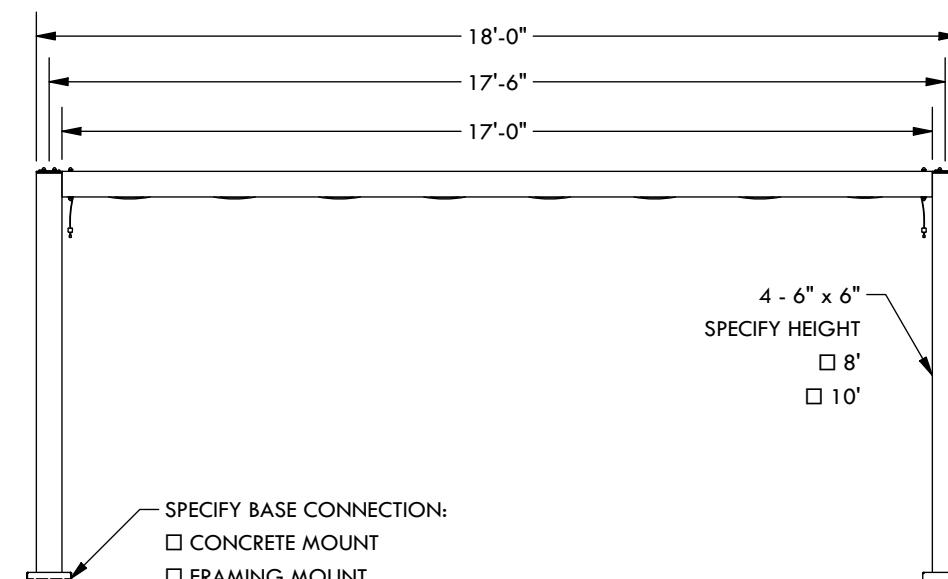
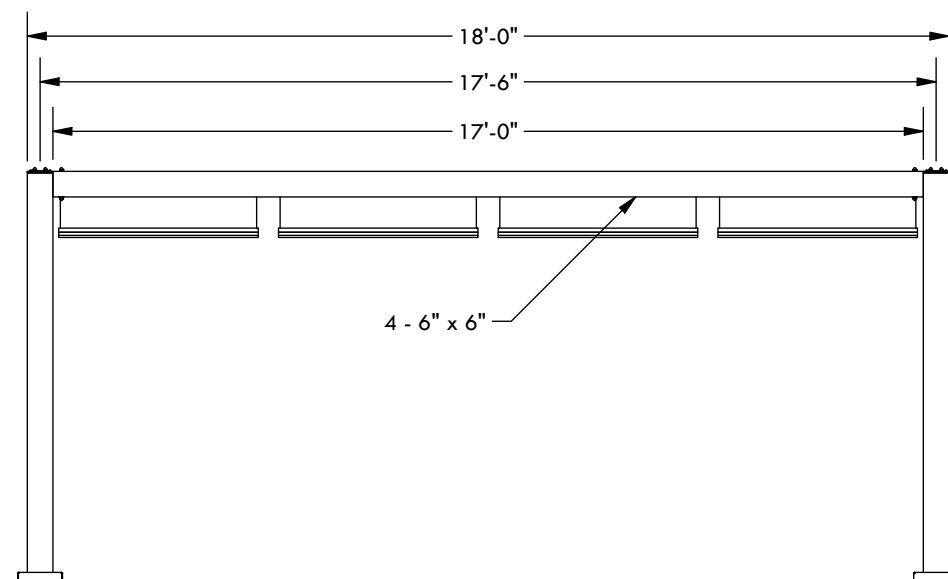
SPECIFY FABRIC:



CONCRETE MOUNT



FRAMING MOUNT



DESCRIPTION			
18' WIDE X 18' PROJECTION FREESTANDING BREEZE			
REV	BY	DESCRIPTION	DATE
	MH	INITIAL RELEASE	5/12/2025

© 2025 Structureworks

STRUCTUREWORKS™

www.structureworks.com 877.489.8064