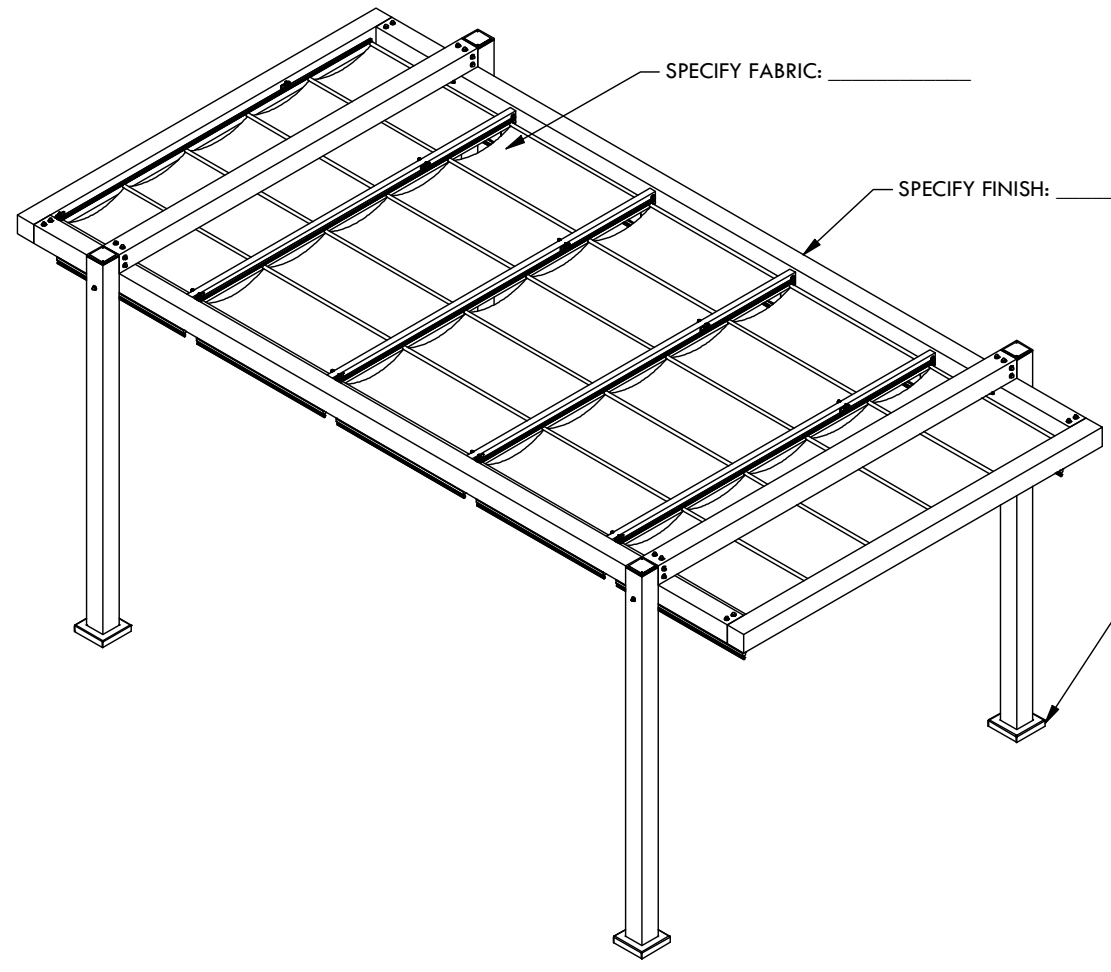
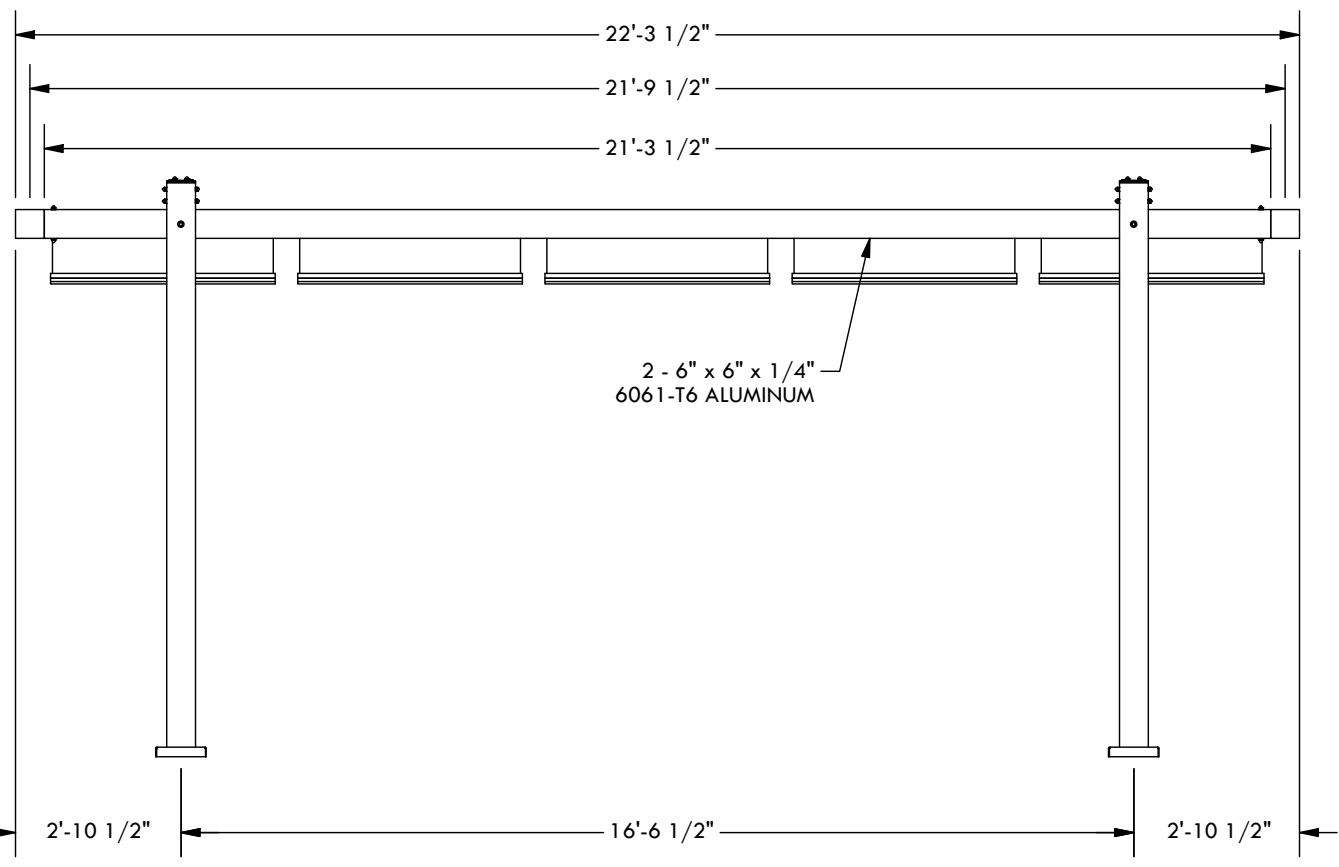


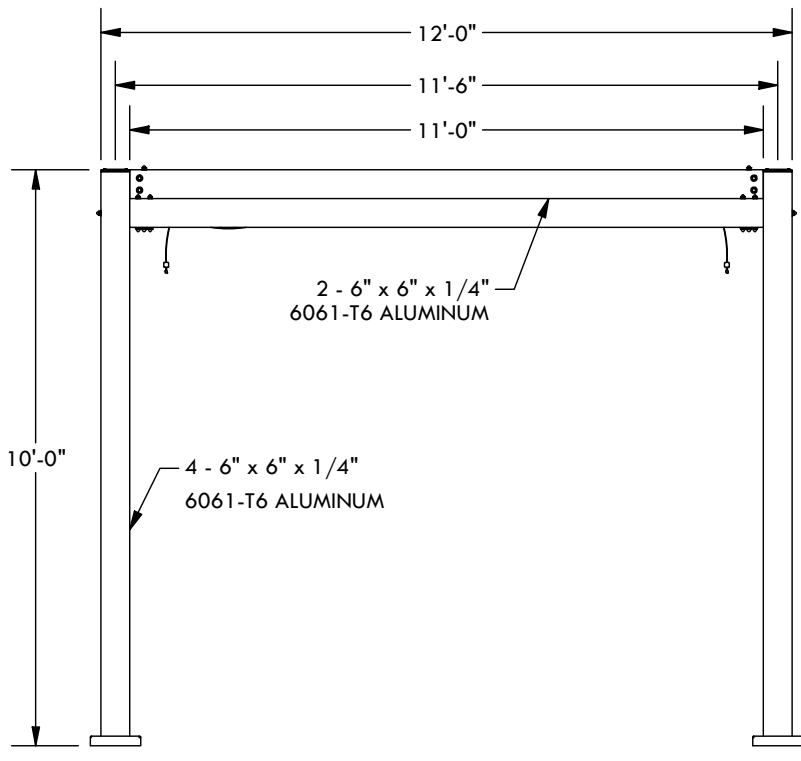
PLAN VIEW



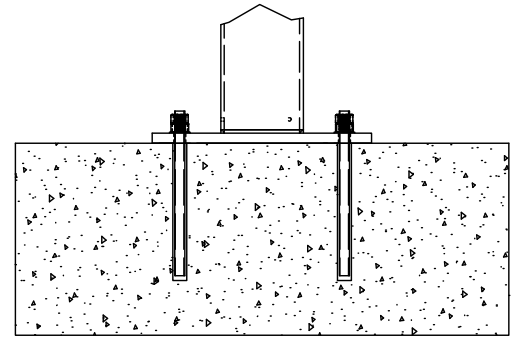
SPECIFY BASE CONNECTION:
 CONCRETE MOUNT
 FRAMING MOUNT



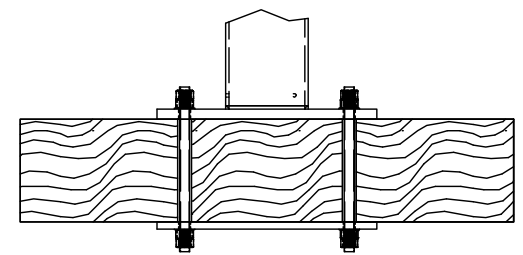
PROJECTION ELEVATION



WIDTH ELEVATION



CONCRETE MOUNT



FRAMING MOUNT

DESCRIPTION			
22' WIDE x 12' PROJECTION FREESTANDING BALANCE			
REV	BY	DESCRIPTION	DATE
	CL	INITIAL RELEASE	10/17/2025

© 2025 Structureworks

STRUCTUREWORKS™

www.structureworks.com 877.489.8064