

Read this guide and review shop drawings and notes before beginning installation.

All packages should be opened and inspected for hidden damage upon receipt. Any missing or damaged components should be noted on the delivery receipt with the carrier before accepting the shipment. Repackage all components and carefully store in an area protected from the weather until ready for installation. Handle materials so as to protect materials, coatings, fabric and finishes during transportation and installation to prevent damage or staining.

It is the responsibility of the installer to meet or exceed all code and safety requirements, and to obtain all required building permits. These instructions are only a guide, and may not address every circumstance. The installer should determine and implement appropriate installation techniques for each situation. Structureworks shall not be held liable for improper or unsafe installations.

Recommended Tools

- Pencil
- 4' Level
- 8' Ladder (2)
- 13mm Wrench
- Adjustable Wrench
- 25' Tape Measure
- Drill/Impact Driver
- 3/8" & 5/16" Nut Drivers
- Philips Screwdriver

Required electrical tools and supplies will vary based on chosen method of installation.

Use and Maintenance

Do not use the canopy in high winds or rain.

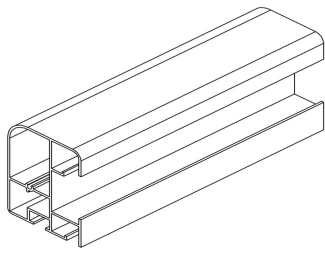
If the fabric is retracted when wet, extend the fabric to dry as soon as possible.

All components should be inspected annually for wear and adjusted as needed.

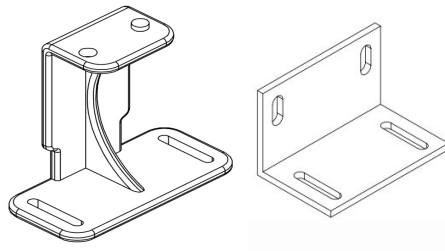
Rinsing the canopy fabric once a month with a low pressure hose is the most effective way to reduce dirt accumulation. Ensure the fabric has dried fully before retracting it.

Fabric Cleaning: Remove dirt with a soft brush, then spray the fabric with water using a low pressure hose. Next, prepare a solution of solvent free soap in warm water and apply it to the fabric evenly. Then, scrub the fabric with a soft brush allowing the solution to penetrate the fabric. Finally, rinse with water and let air dry. For more aggressive cleaning substitute the soap solution for a solution of 70% water, 20% solvent-free soap, and 10% bleach. Apply the solution to the fabric and allow it to sit for 15 minutes. Then, rinse the fabric thoroughly to fully remove the solution and let air dry.

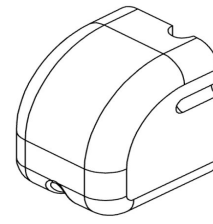
Components



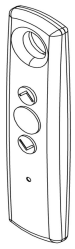
Rail



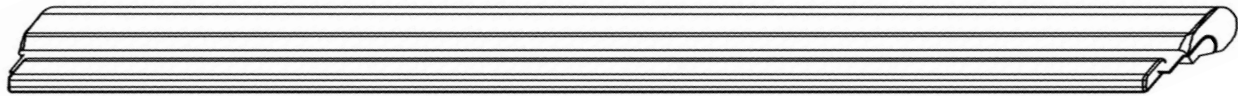
Standard or Reveal
Mounting Bracket



Rail End Cap



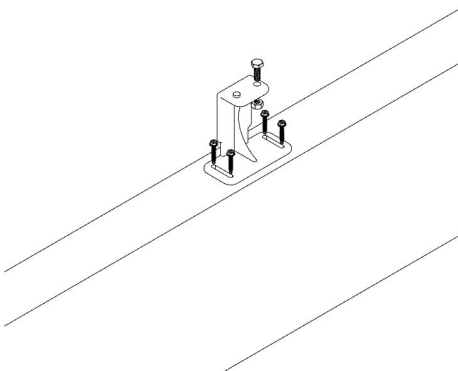
Remote



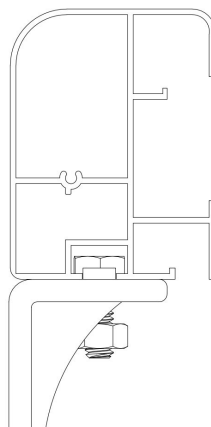
Cassette

Installing Mounting Brackets and Rails

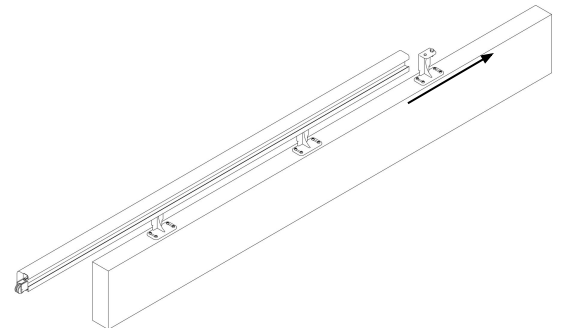
1. Install the mounting brackets in the locations shown on the shop drawing. Ensure that all brackets are installed in a straight line before fully tightening mounting hardware. Attach using the hardware provided with the structure. If purchased without a structure, use appropriate hardware for the installation surface.
2. Install bolt with nut on top of each mounting bracket. Ensure that the bolts on the top of the mounting bracket are loose before installing the rail.
3. Slide the rail onto the mounting brackets so that the bolt heads slide into the channel on the underside of the rail.
4. Position the rail according to the shop drawing and tighten the bolts in the mounting brackets to secure the rail. Repeat this process with the other rail.



Mounting Bracket Attachment



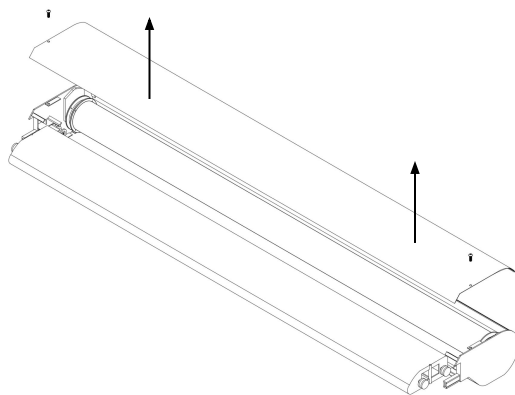
Bolt in Rail Channel



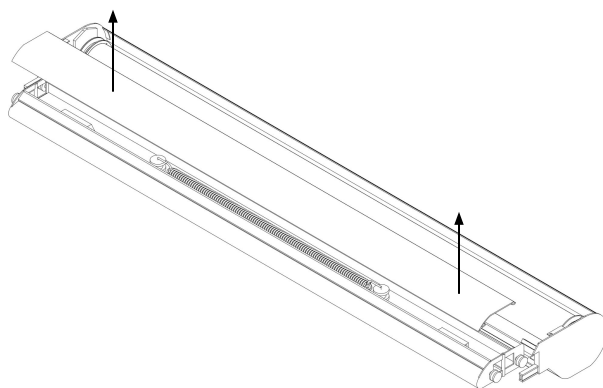
Rail Installation on Brackets

Installing Cassette and Rope

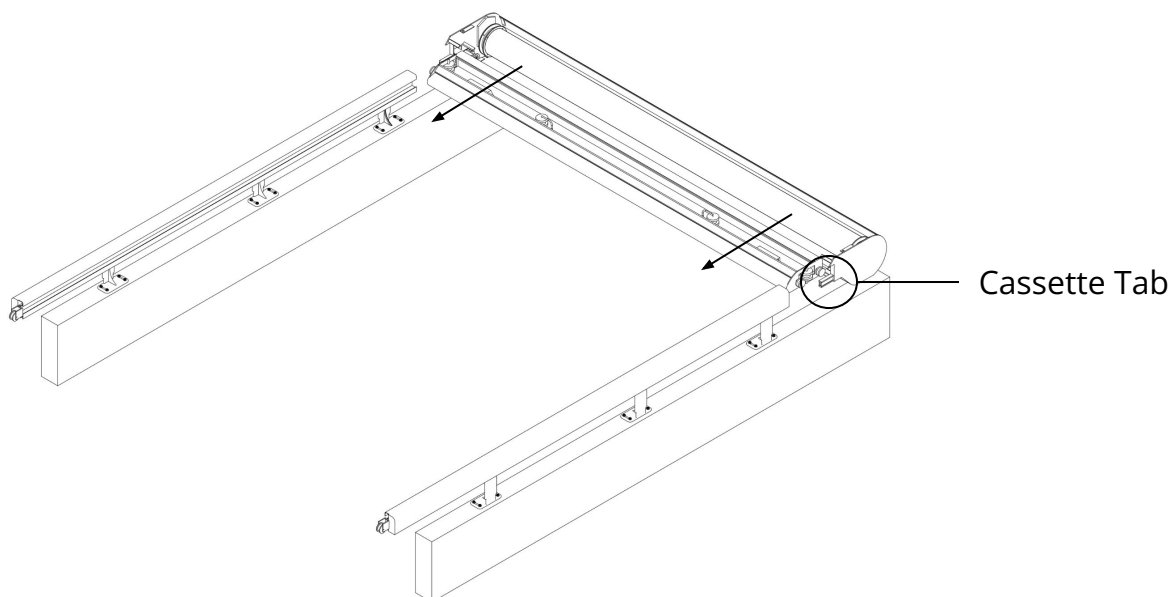
1. Remove the screw at each end of the cassette cover, remove the cover and set aside.



2. Remove the front bar cover by hand. Once removed, remove the spring inside of the front bar. Set both items aside.

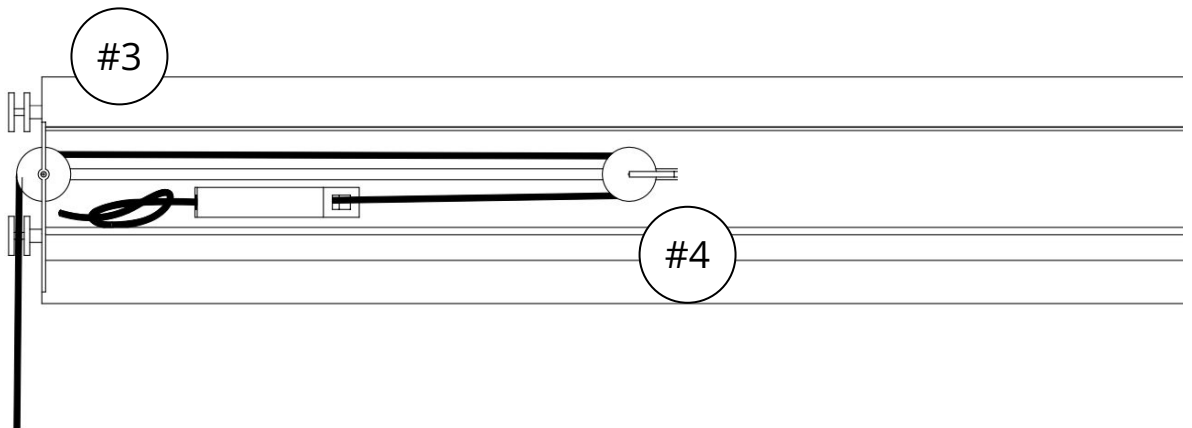
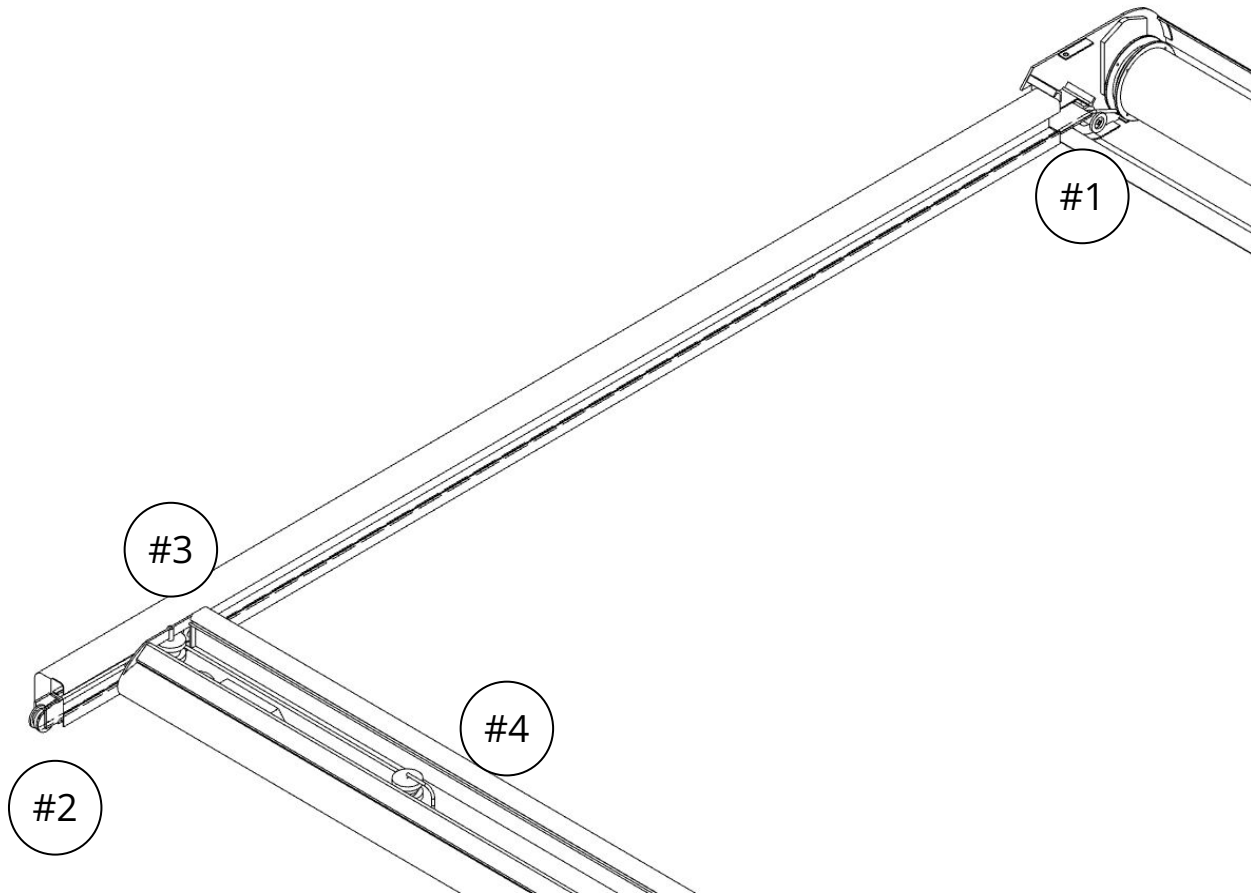


3. Attach the cassette to the rails mounted to the structure by sliding the front bar into the rails, then the cassette tabs into the rails.



Installing Cassette and Rope Continued

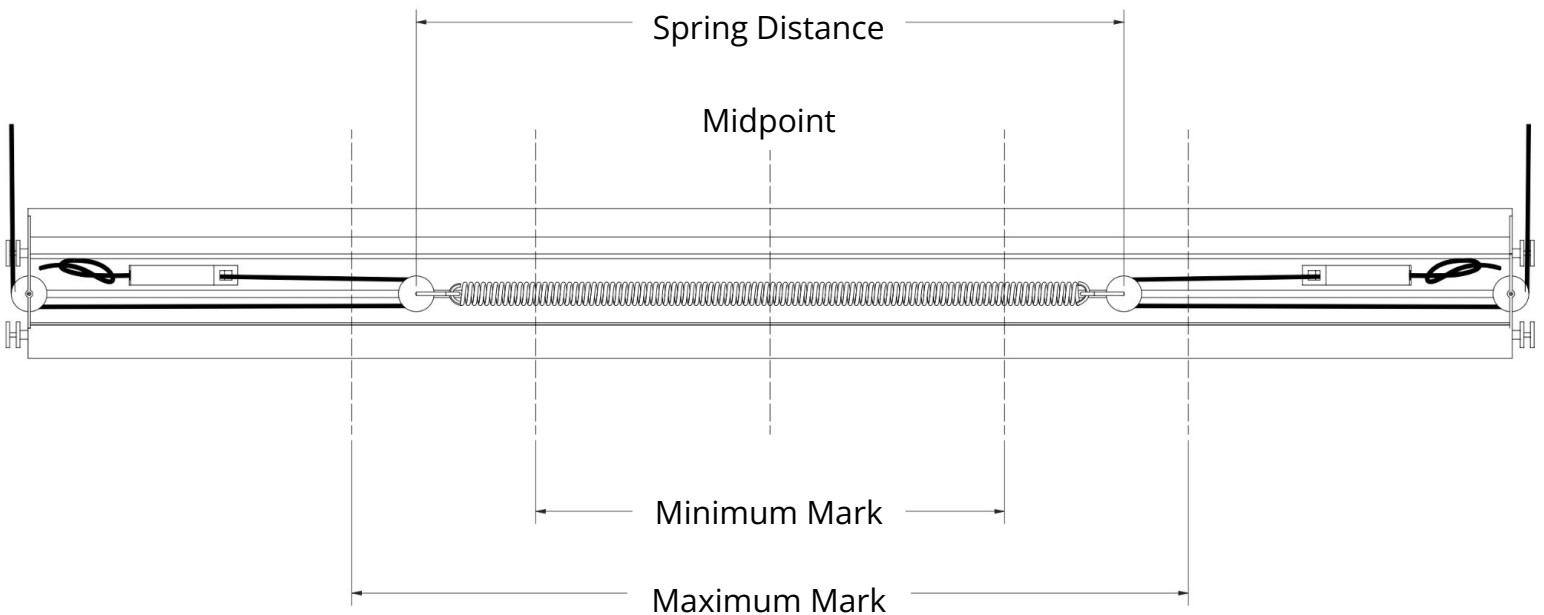
4. Pull the rope from the spool, align it over wheel #1, then feed it through the lower channel on the rail.
5. Loop the rope around wheel #2 and feed it through the top channel on the rail.
6. Feed the rope around wheel #3 and into the front bar.
7. Wrap the rope around wheel #4 and temporarily attach it through the jam cleat.
8. Repeat the process on the other side of the canopy.



Tensioning

1. Inside of the front bar, mark the minimum and maximum distances shown in the table below.
2. Untie the rope from the jam cleats.
3. Install the spring.
4. Pull the rope tight under the guide pin on the jam cleat until the end of the spring is within the marked minimum and maximum positions. Secure the rope and lock the jam cleat. Repeat the process on the other side of the spring.

Projection	Up to 10'	10' 1" - 12'	12' 1" - 14'	14' 1" - 16'	16' 1" - 18'	18' 1" - 19'
Minimum	46"	48"	53"	57"	60"	62"
Maximum	61"	62"	62"	63	64	64"



Connect Power

- The canopy motor must be connected to 120 volt AC power.
- The motor has a 6' pigtail that can be connected to a junction box or terminated with a plug and connected to a receptacle. Material for electrical connections is not included.
- The motor draws a maximum of 2.1 amps when in operation. Multiple motors can be connected to the same circuit as long as normal loading requirements are followed.

Test Canopy Operation and Final Steps

1. Press UP on the remote control and watch to ensure the fabric extends evenly and smoothly. If the canopy chatters or the extends unevenly, press MY/STOP and retract the canopy by pressing DOWN. Recheck mounting, track layout, and rope routing, correct any issues, and retry canopy extension.
2. Once the canopy is fully extended, tighten the bolts in the mounting brackets to the rails.
3. Install the cassette cover and screws.
4. Install the front bar cover by snapping it into place.
5. Install the rail end caps over wheel #2 by snapping them into place.

Setting “My” Position

1. Press UP or DOWN to send the canopy to the desired “My” position.
2. Once it is reached, briefly press MY/STOP to stop the canopy.
3. Press and hold MY/STOP until the canopy jogs, confirming the position has been saved.

Controlling Multiple Canopies with One Channel

Each motor must already be paired to its own channel on the remote.

1. With the Canopy A channel active, press and hold the PROG button on the remote until the motor jogs.
2. Switch to the group channel, then hold the PROG button until the motor jogs.
3. Switch to the Canopy B channel, then press and hold the PROG button until the motor jogs.
4. Switch to the group channel, then hold the PROG button until Canopy B jogs. Canopy A and B are now both controlled on the group channel.