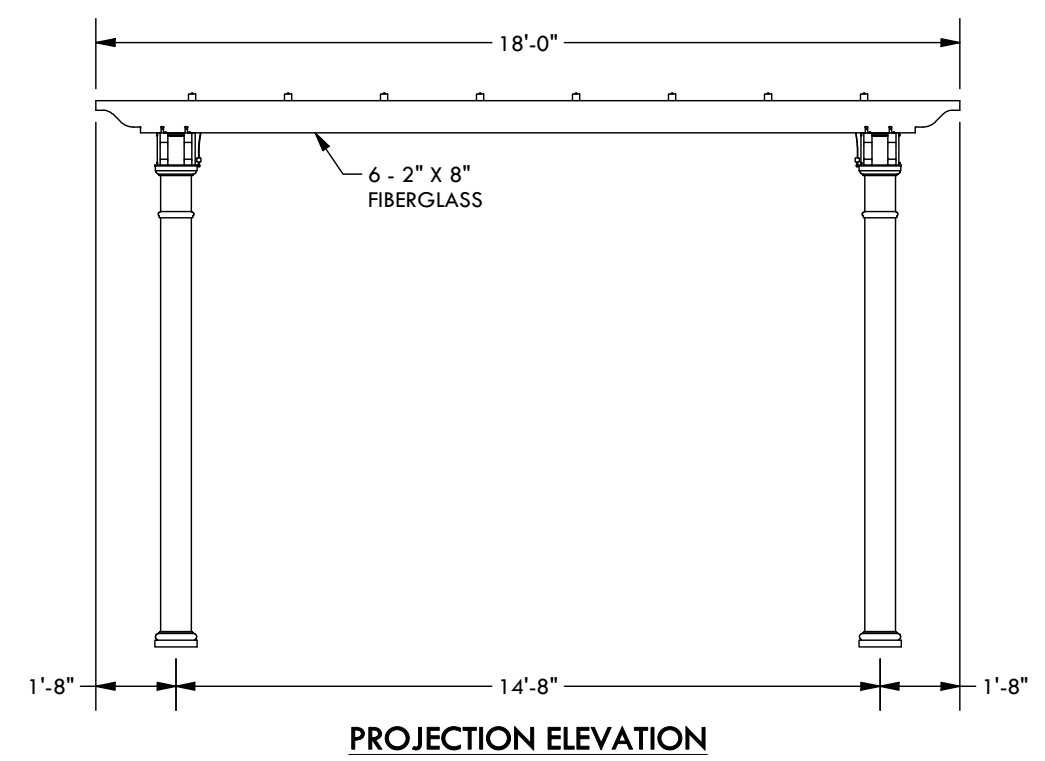
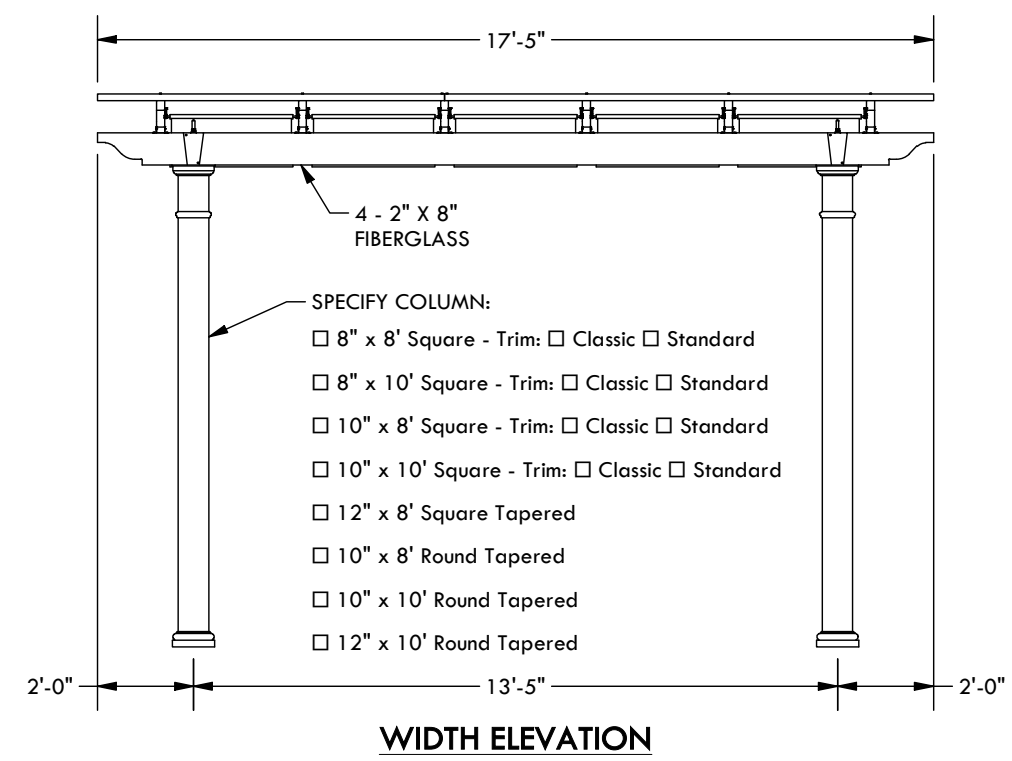
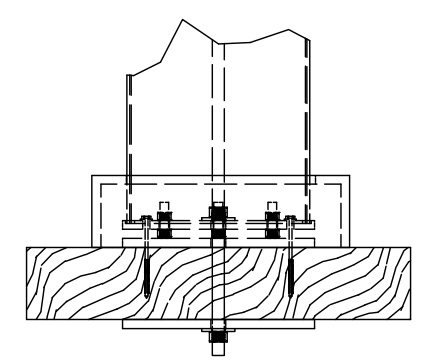
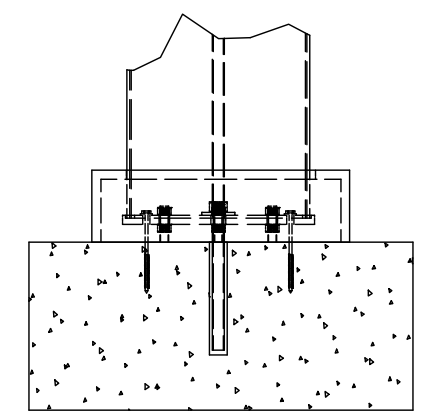
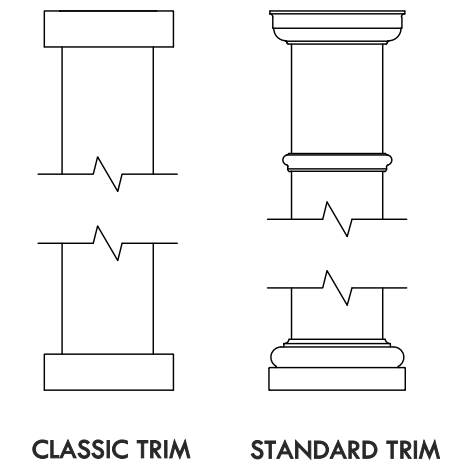


- SPECIFY END STYLE:
- ARCADIA
 - BELMONT
 - CLASSIC
 - CLIP
 - COAST
 - FLAT
 - SLIGHT
 - TRADITIONAL



DESCRIPTION			
17' WIDE X 18' PROJECTION FREESTANDING WINDSOR			
REV	BY	DESCRIPTION	DATE
	CL	INITIAL RELEASE	1/13/2026

STRUCTUREWORKS™
www.structureworks.com 877.489.8064

© 2026 Structureworks