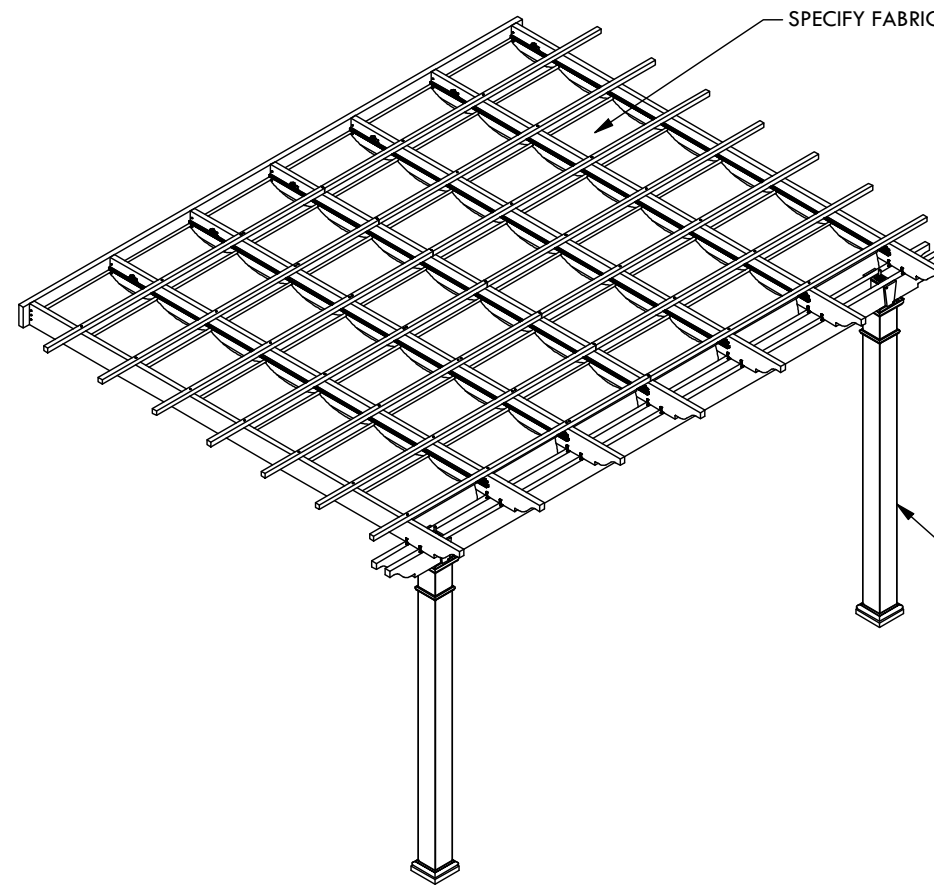


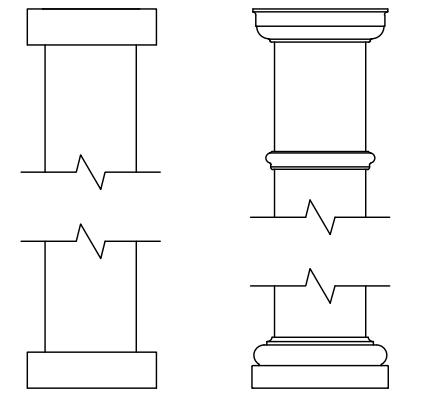
PLAN VIEW



SPECIFY FABRIC:

SPECIFY END STYLE:

- ARCADIA
- BELMONT
- CLASSIC
- CLIP
- COAST
- FLAT
- SLIGHT
- TRADITIONAL

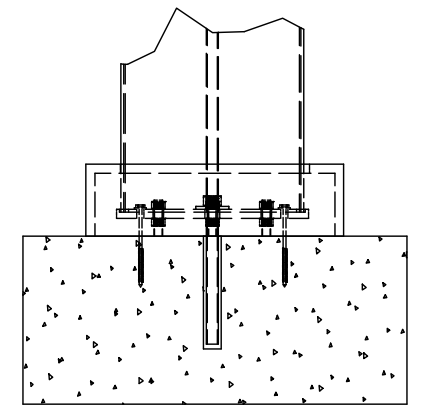


CLASSIC TRIM

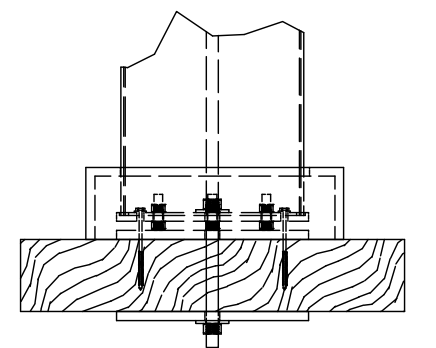
STANDARD TRIM

SPECIFY FINISH:

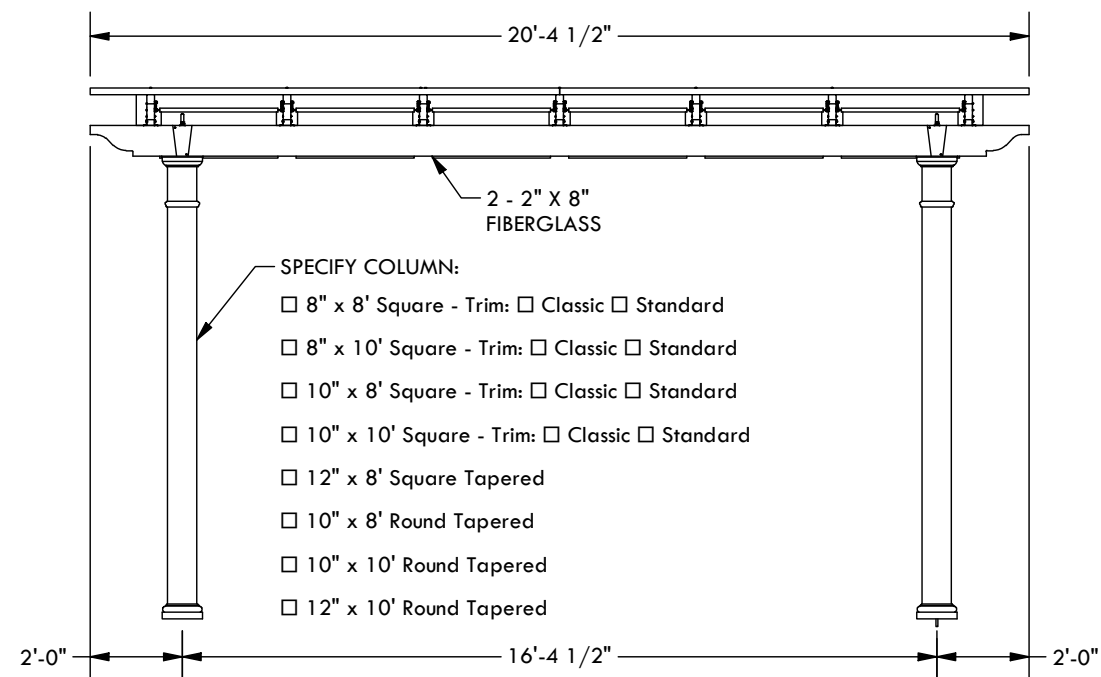
- CLASSIC WHITE
- DRIFT
- FOREST BROWN
- WALNUT
- GRANITE
- GRAPHITE
- MEDITERRANEAN
- MIST
- WALNUT



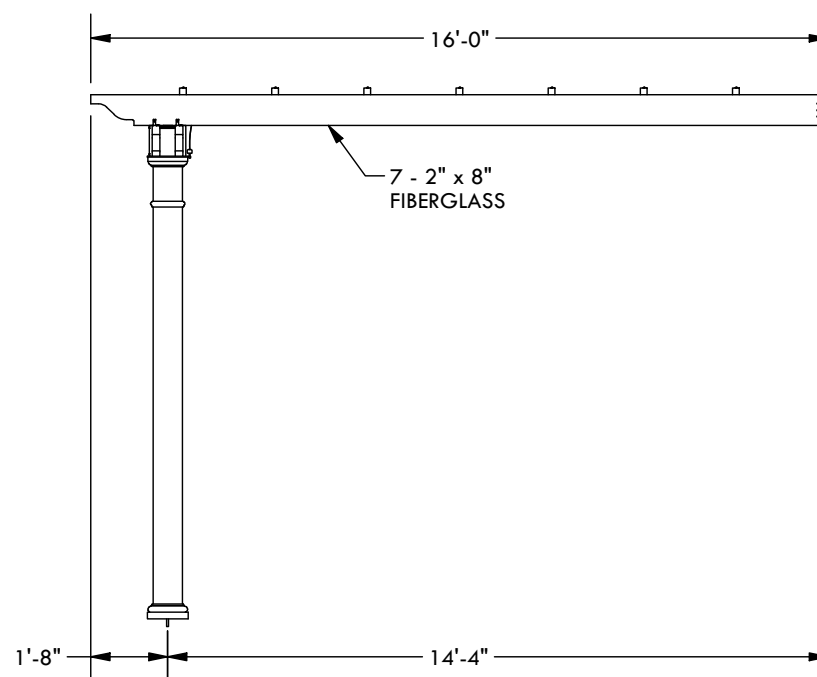
CONCRETE MOUNT



FRAMING MOUNT



WIDTH ELEVATION



PROJECTION ELEVATION

DESCRIPTION			
<b>20' WIDE X 16' PROJECTION ATTACHED WINDSOR</b>			
REV	BY	DESCRIPTION	DATE
	CL	INITIAL RELEASE	1/13/2026

© 2026 Structureworks

**STRUCTUREWORKS™**

www.structureworks.com 877.489.8064