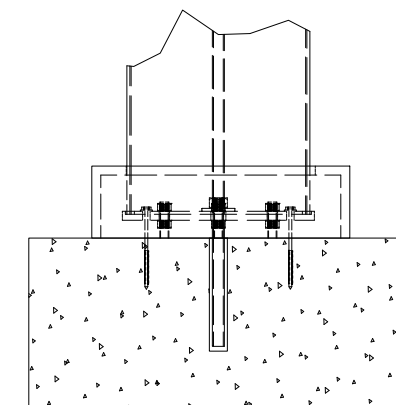
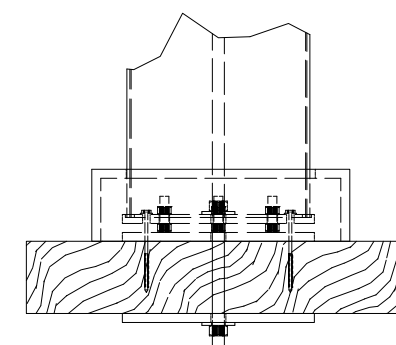


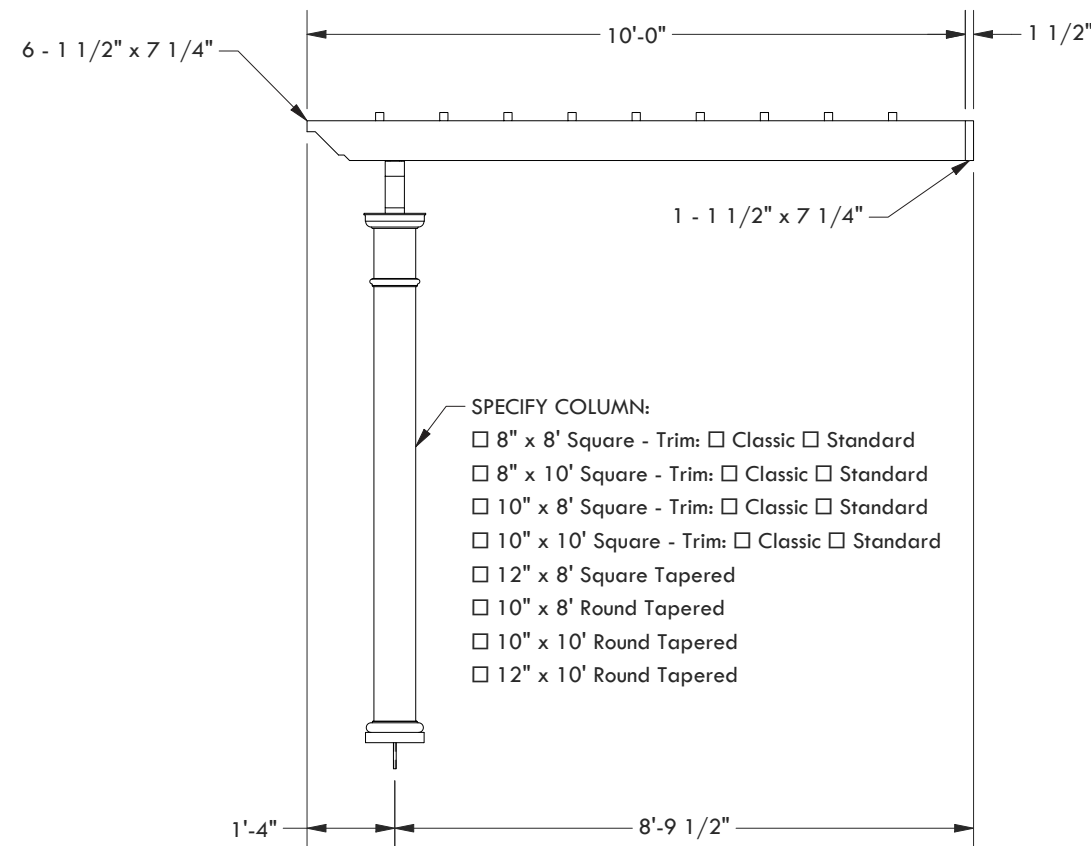
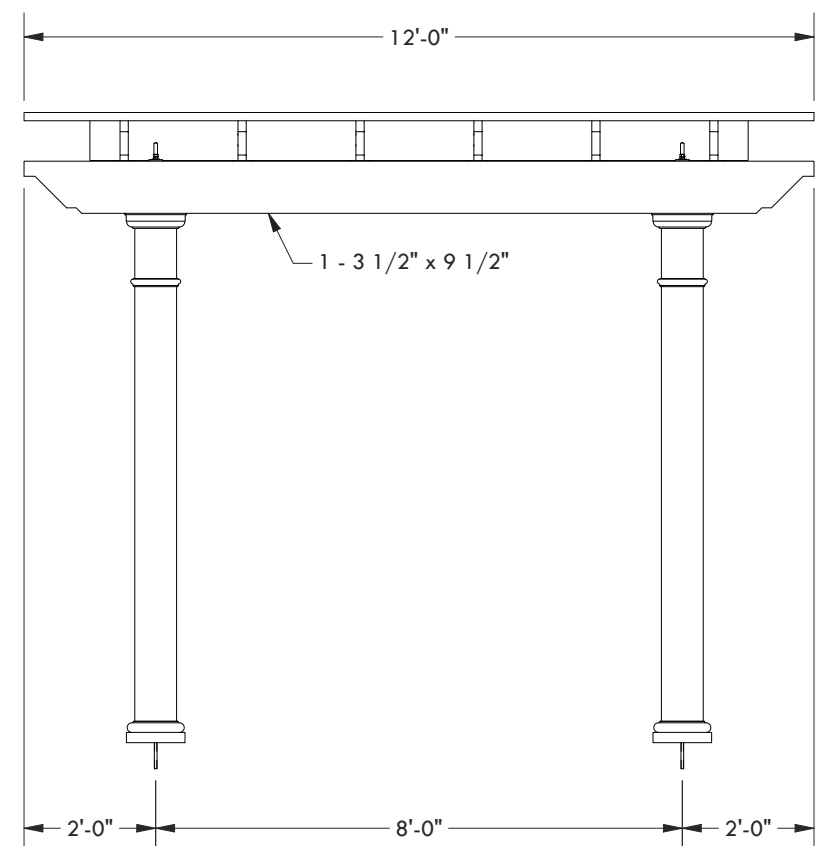
CLASSIC TRIM | STANDARD TRIM



CONCRETE MOUNT



FRAMING MOUNT



DESCRIPTION			
<b>12' WIDE X 10' PROJECTION ATTACHED TREX PERGOLA</b>			
REV	BY	DESCRIPTION	DATE
1	NB	INITIAL RELEASE	03/31/21

**Trex® Pergola™**  
 www.trexpergola.com 888.908.4965

© 2021 Structureworks