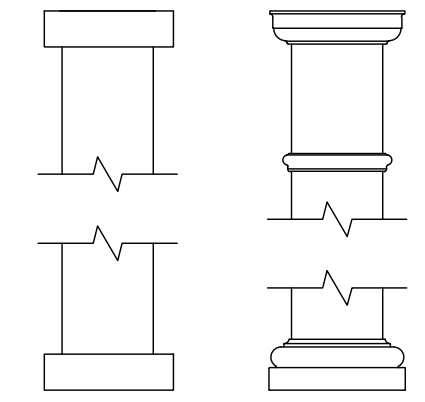
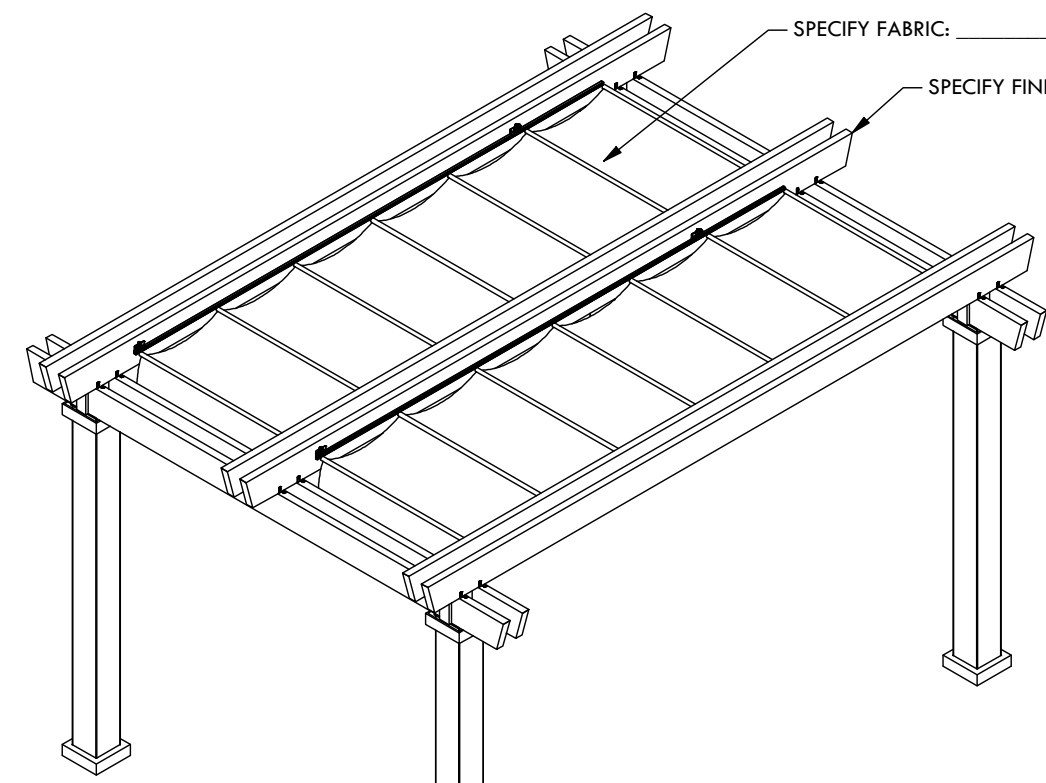
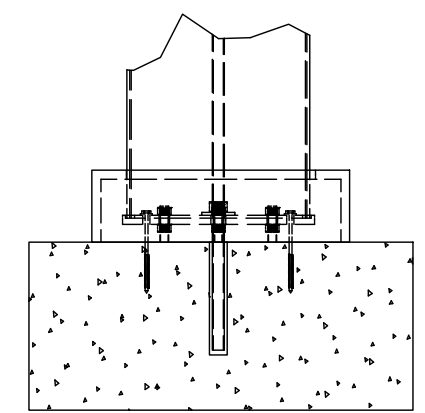
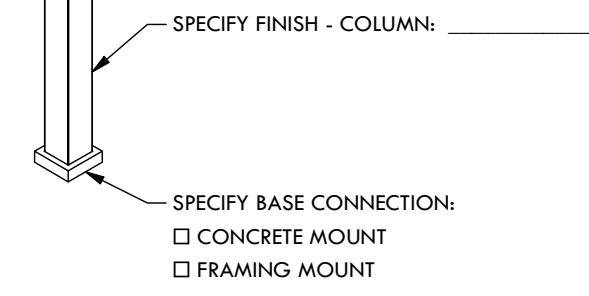


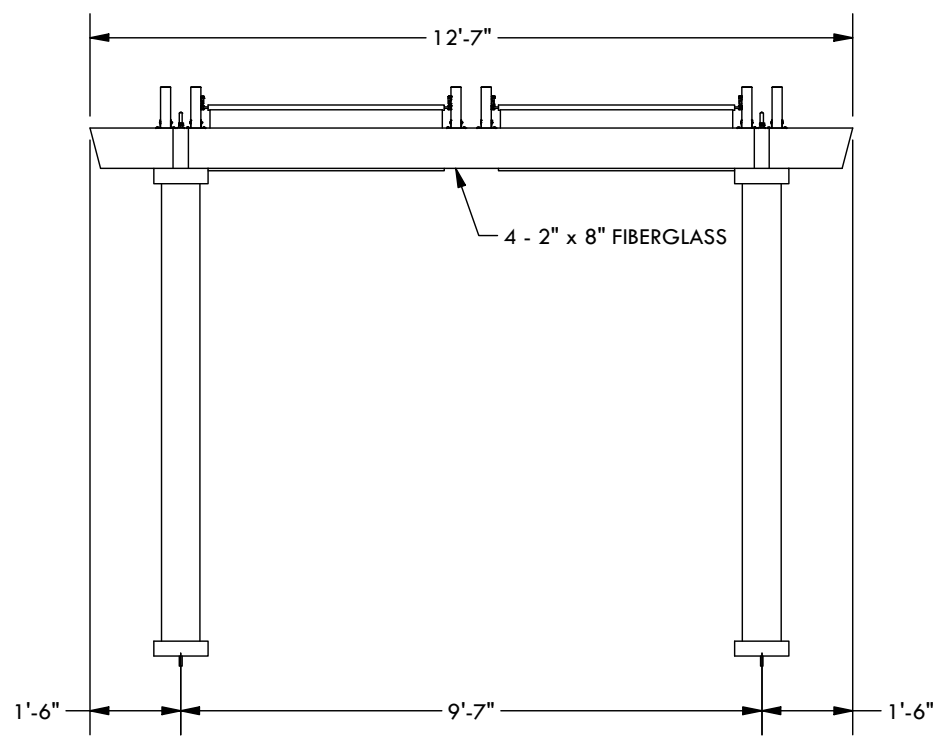
PLAN VIEW



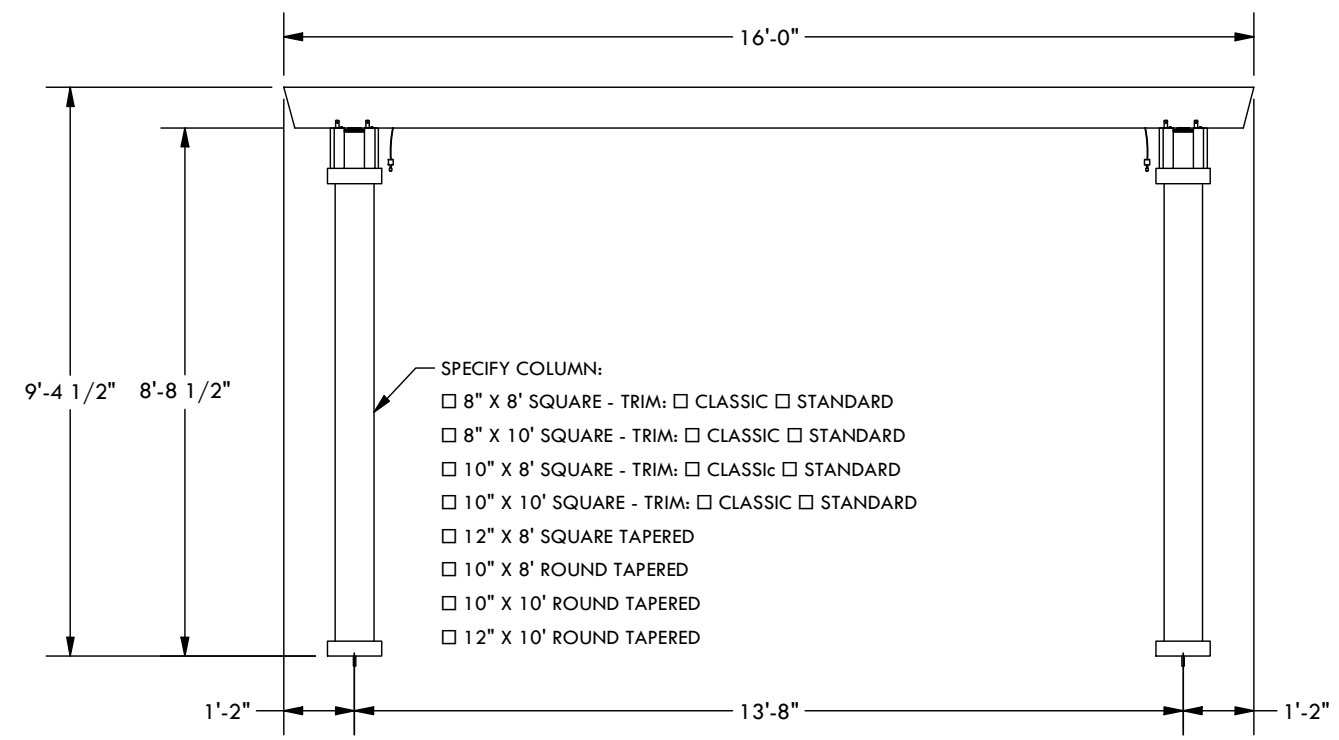
CLASSIC TRIM **STANDARD TRIM**



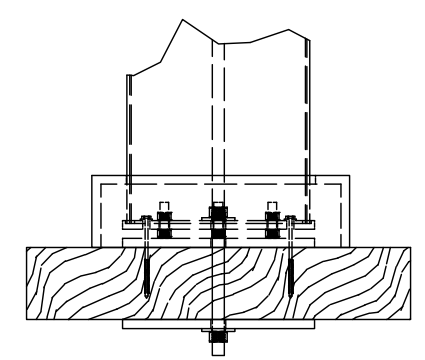
CONCRETE MOUNT



WIDTH ELEVATION



PROJECTION ELEVATION



FRAMING MOUNT

DESCRIPTION			
13' WIDE X 16' PROJECTION FREESTANDING PLAYA			
REV	BY	DESCRIPTION	DATE
	CL	INITIAL RELEASE	10/28/2025

STRUCTUREWORKS™
 www.structureworks.com 877.489.8064

© 2025 Structureworks