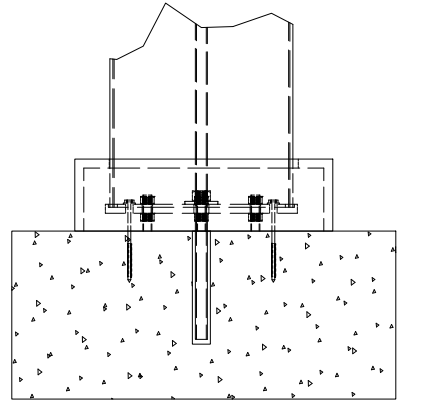


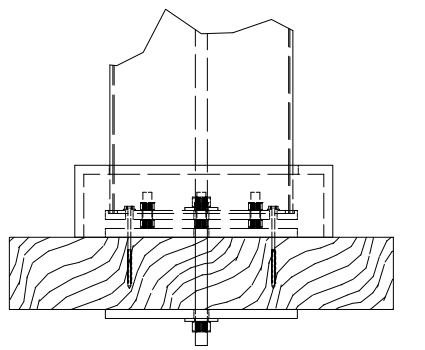
CLASSIC TRIM      STANDARD TRIM

SPECIFY FINISH: \_\_\_\_\_

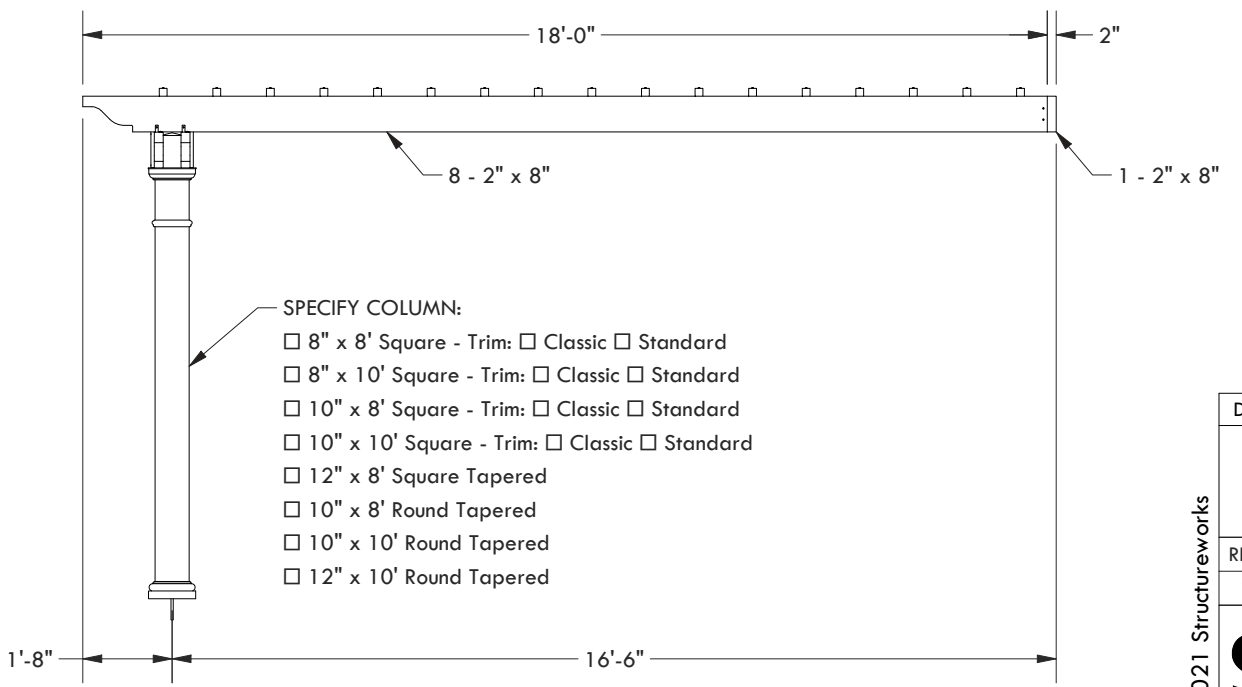
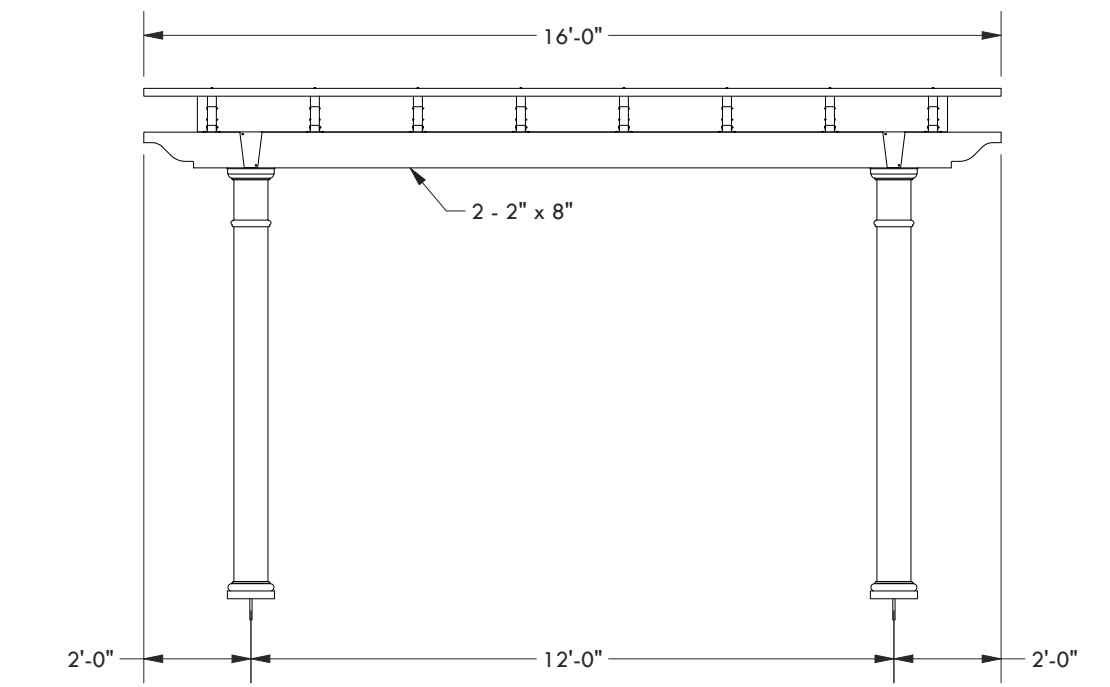
SPECIFY BASE CONNECTION:  
 CONCRETE MOUNT  
 FRAMING MOUNT



CONCRETE MOUNT



FRAMING MOUNT



SPECIFY COLUMN:  
 8" x 8' Square - Trim:  Classic  Standard  
 8" x 10' Square - Trim:  Classic  Standard  
 10" x 8' Square - Trim:  Classic  Standard  
 10" x 10' Square - Trim:  Classic  Standard  
 12" x 8' Square Tapered  
 10" x 8' Round Tapered  
 10" x 10' Round Tapered  
 12" x 10' Round Tapered

DESCRIPTION			
<b>16' WIDE X 18' PROJECTION ATTACHED WILLIAMSBURG</b>			
REV	BY	DESCRIPTION	DATE
1	NB	INITIAL RELEASE	04/02/21

© 2021 Structureworks