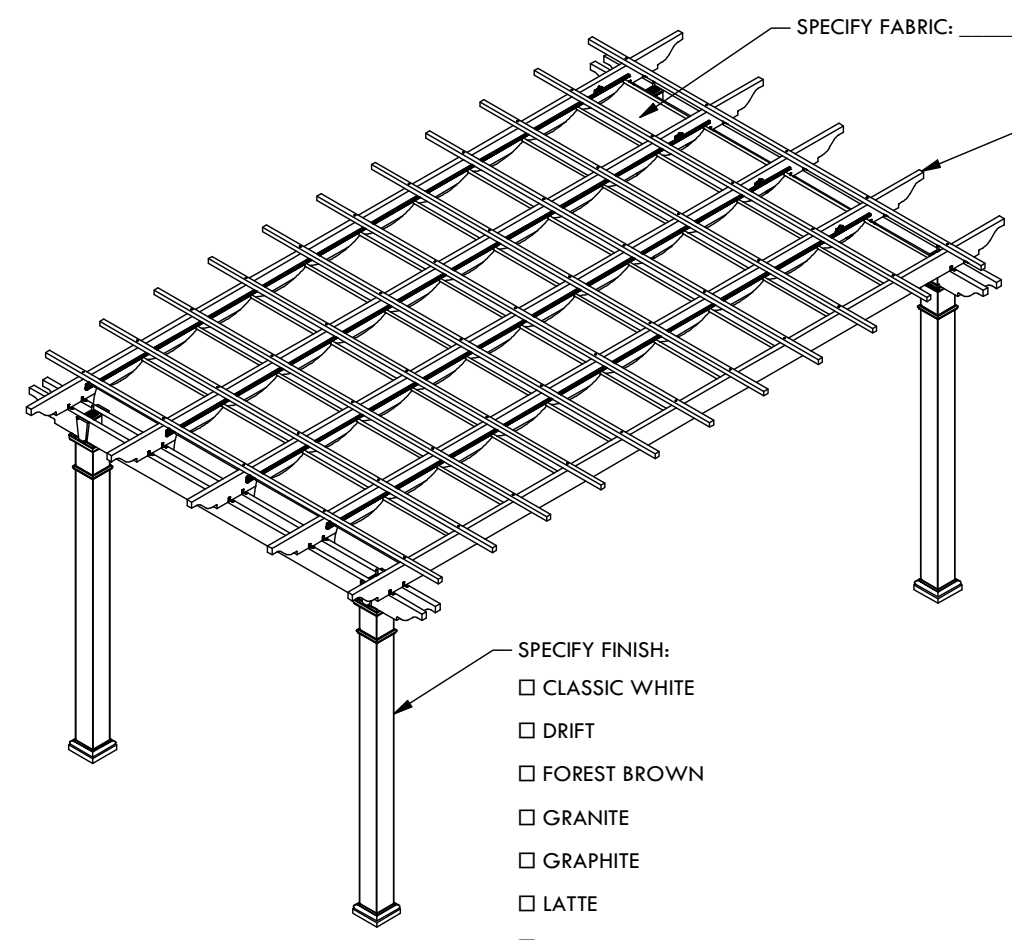
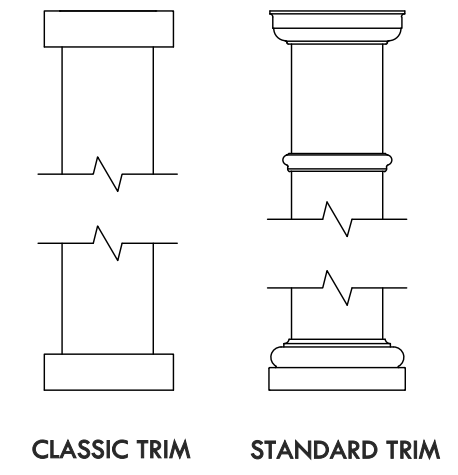


PLAN VIEW

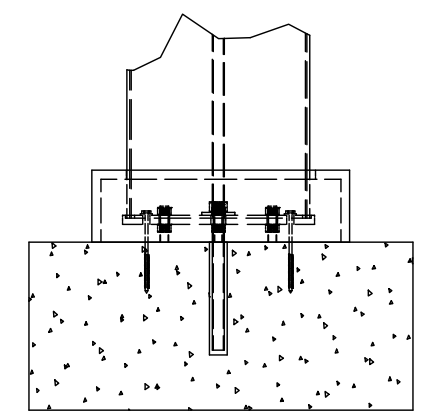


- SPECIFY FABRIC:** _____
- SPECIFY END STYLE:**
- ARCADIA
 - BELMONT
 - CLASSIC
 - CLIP
 - COAST
 - FLAT
 - SLIGHT
 - TRADITIONAL

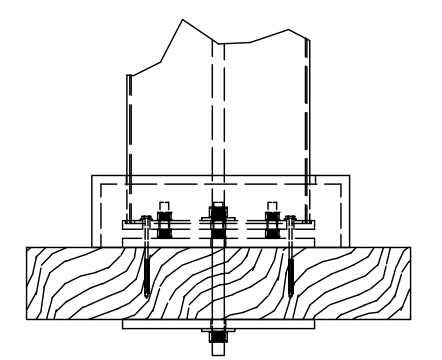
- SPECIFY FINISH:**
- CLASSIC WHITE
 - DRIFT
 - FOREST BROWN
 - GRANITE
 - GRAPHITE
 - LATTE
 - MEDITERRANEAN
 - MIST
 - WALNUT



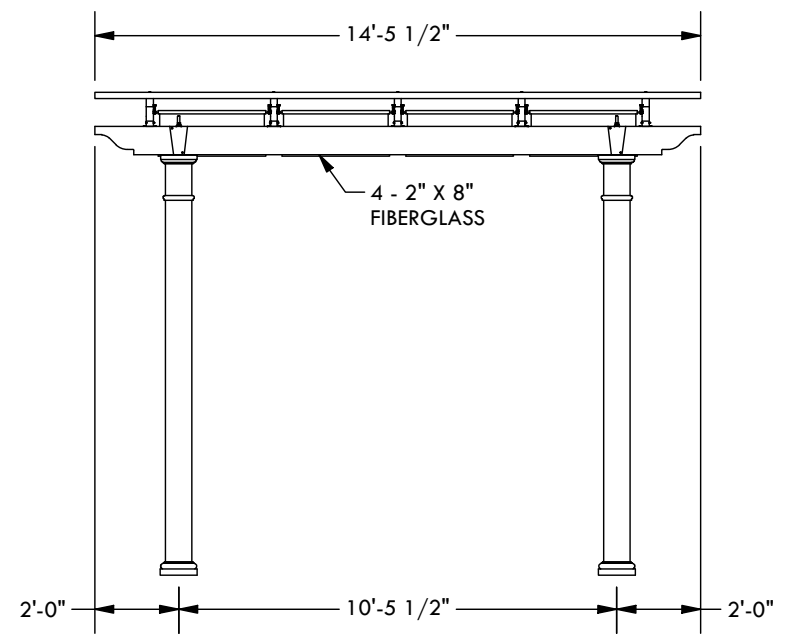
CLASSIC TRIM STANDARD TRIM



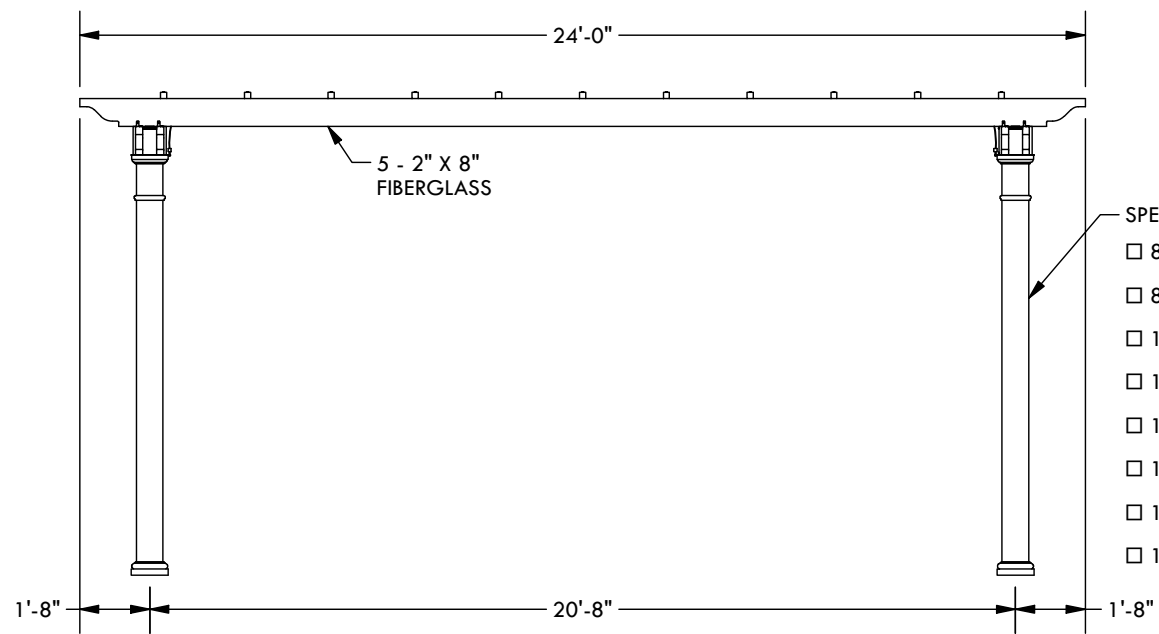
CONCRETE MOUNT



FRAMING MOUNT



WIDTH ELEVATION



PROJECTION ELEVATION

- SPECIFY COLUMN:**
- 8" x 8' Square - Trim: Classic Standard
 - 8" x 10' Square - Trim: Classic Standard
 - 10" x 8' Square - Trim: Classic Standard
 - 10" x 10' Square - Trim: Classic Standard
 - 12" x 8' Square Tapered
 - 10" x 8' Round Tapered
 - 10" x 10' Round Tapered
 - 12" x 10' Round Tapered

DESCRIPTION			
14' WIDE X 24' PROJECTION FREESTANDING WINDSOR			
REV	BY	DESCRIPTION	DATE
	CL	INITIAL RELEASE	1/13/2026

© 2026 Structureworks