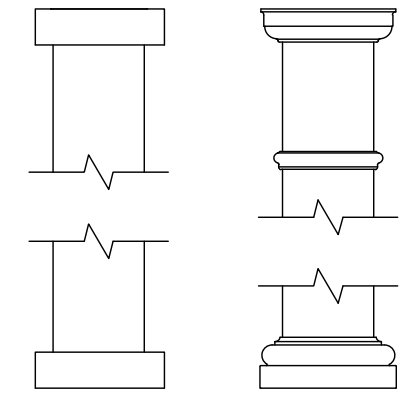
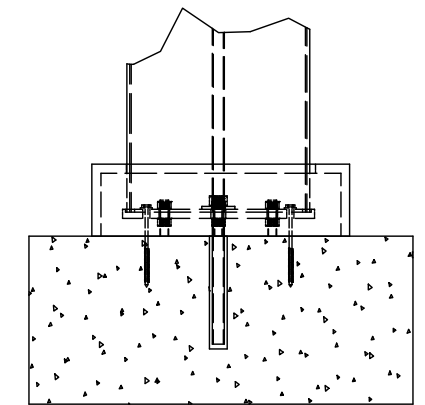


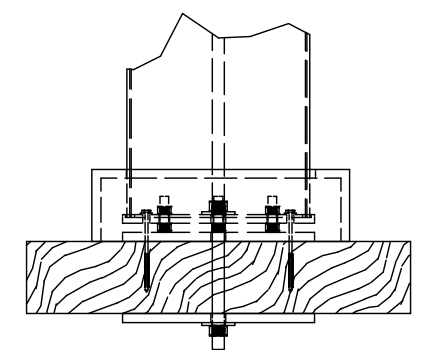
- SPECIFY END STYLE:
- ARCADIA
  - BELMONT
  - CLASSIC
  - CLIP
  - COAST
  - FLAT
  - SLIGHT
  - TRADITIONAL



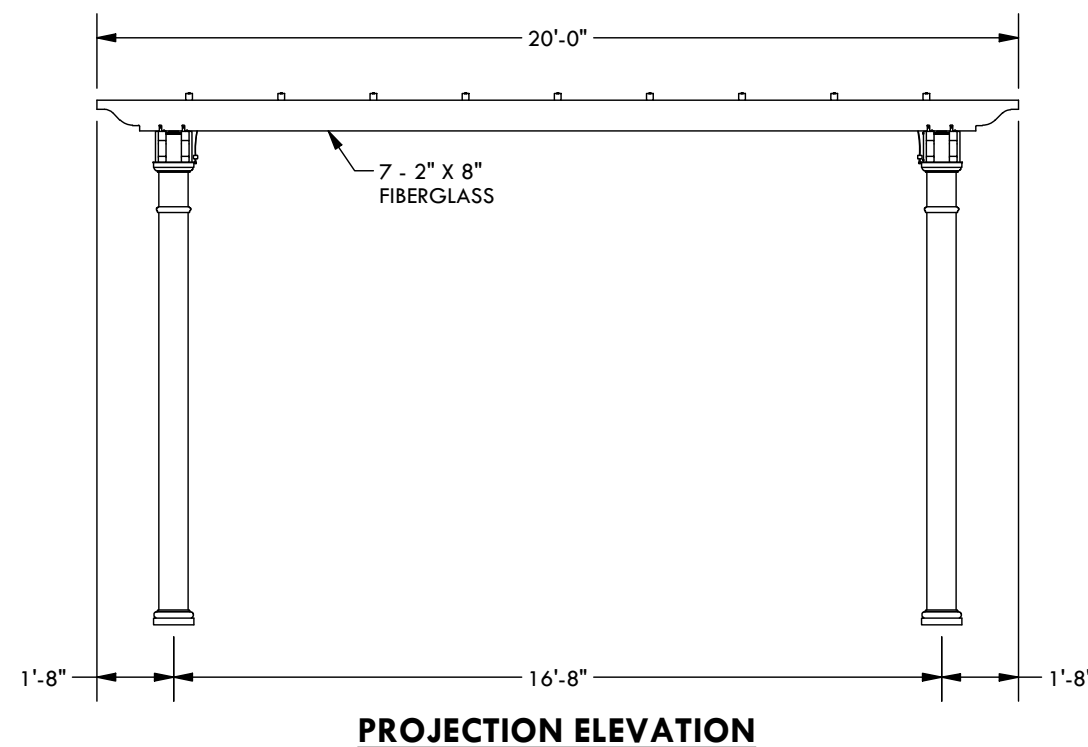
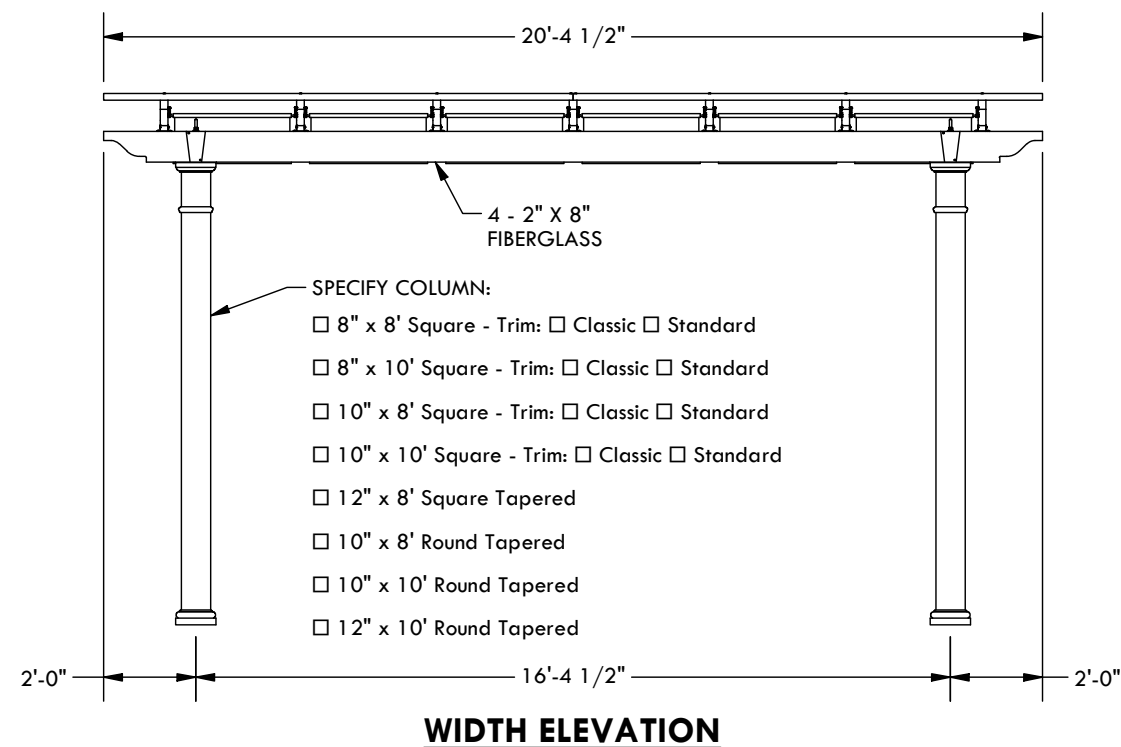
**CLASSIC TRIM    STANDARD TRIM**



**CONCRETE MOUNT**



**FRAMING MOUNT**



DESCRIPTION			
<b>20' WIDE X 20' PROJECTION FREESTANDING WINDSOR</b>			
REV	BY	DESCRIPTION	DATE
	CL	INITIAL RELEASE	1/13/2026

© 2026 Structureworks

**STRUCTUREWORKS™**

www.structureworks.com 877.489.8064