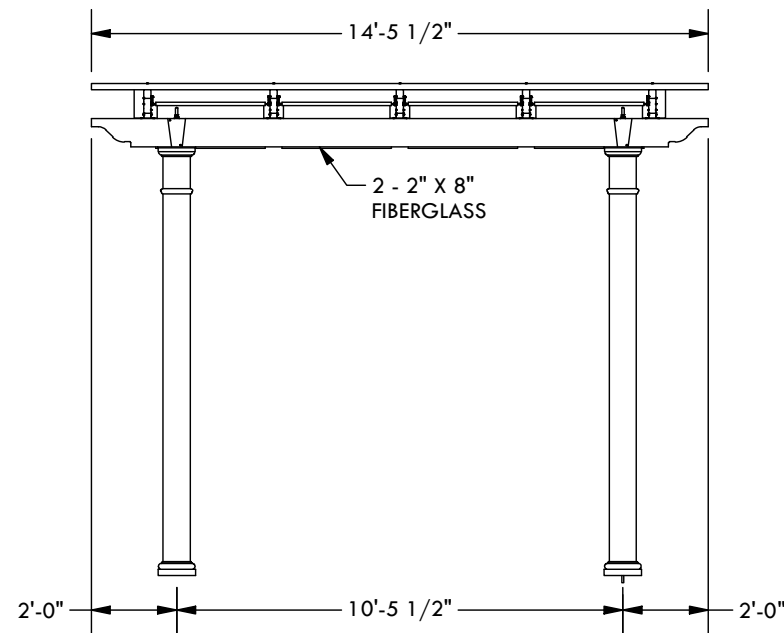
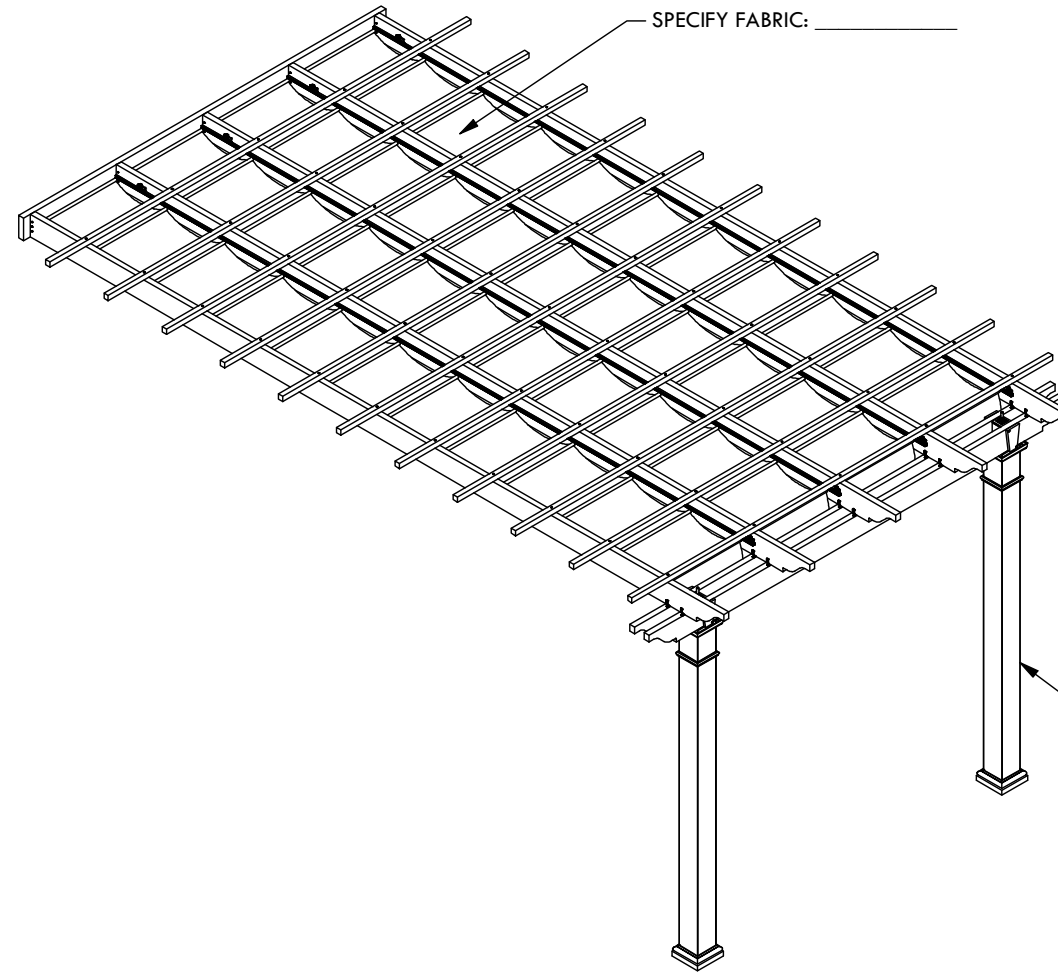


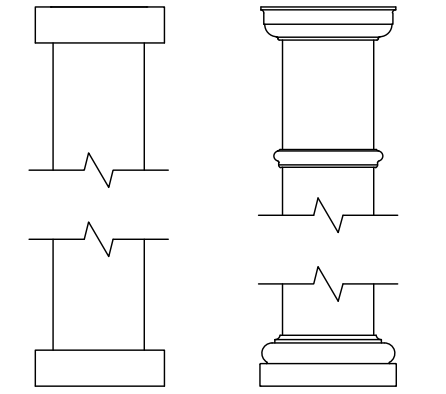
PLAN VIEW



WIDTH ELEVATION

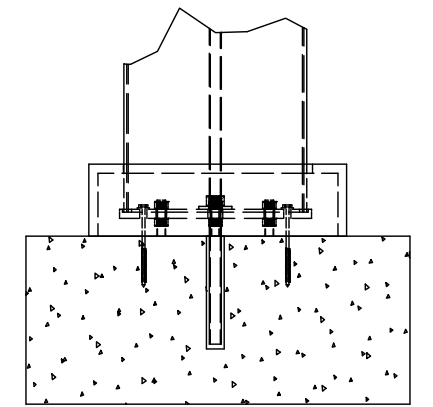


- SPECIFY END STYLE:
- ARCADIA
 - BELMONT
 - CLASSIC
 - CLIP
 - COAST
 - FLAT
 - SLIGHT
 - TRADITIONAL

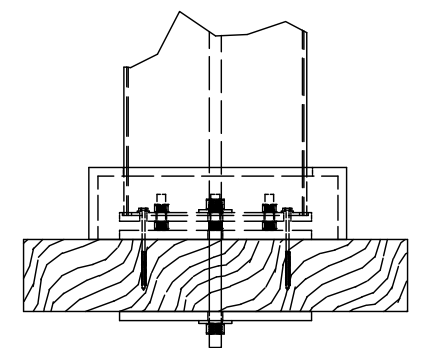


CLASSIC TRIM STANDARD TRIM

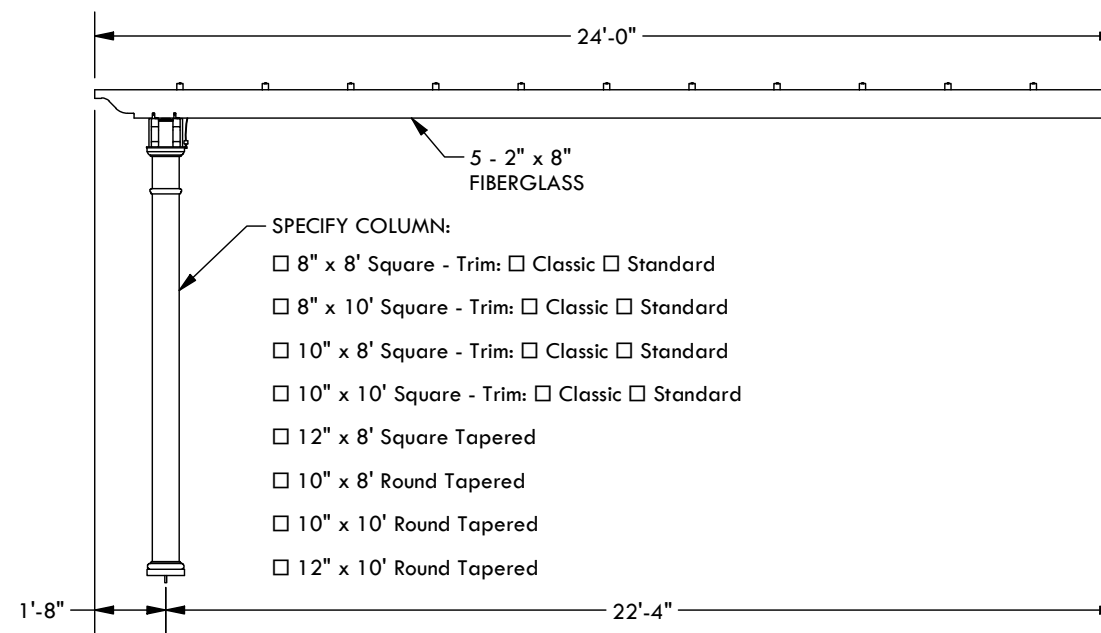
- SPECIFY FINISH:
- CLASSIC WHITE
 - DRIFT
 - FOREST BROWN
 - WALNUT
 - GRANITE
 - GRAPHITE
 - MEDITERRANEAN
 - MIST
 - WALNUT



CONCRETE MOUNT



FRAMING MOUNT



PROJECTION ELEVATION

DESCRIPTION			
14' WIDE X 24' PROJECTION ATTACHED WINDSOR			
REV	BY	DESCRIPTION	DATE
	CL	INITIAL RELEASE	1/13/2026

© 2026 Structureworks

STRUCTUREWORKS™

www.structureworks.com 877.489.8064