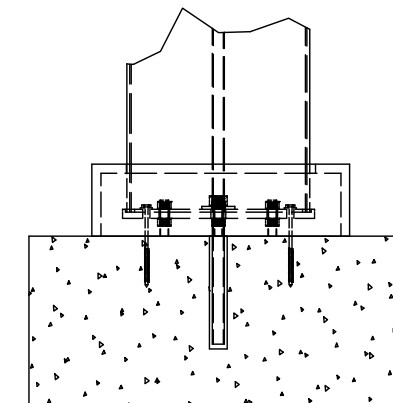
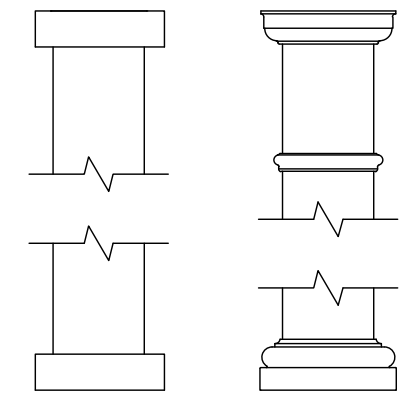
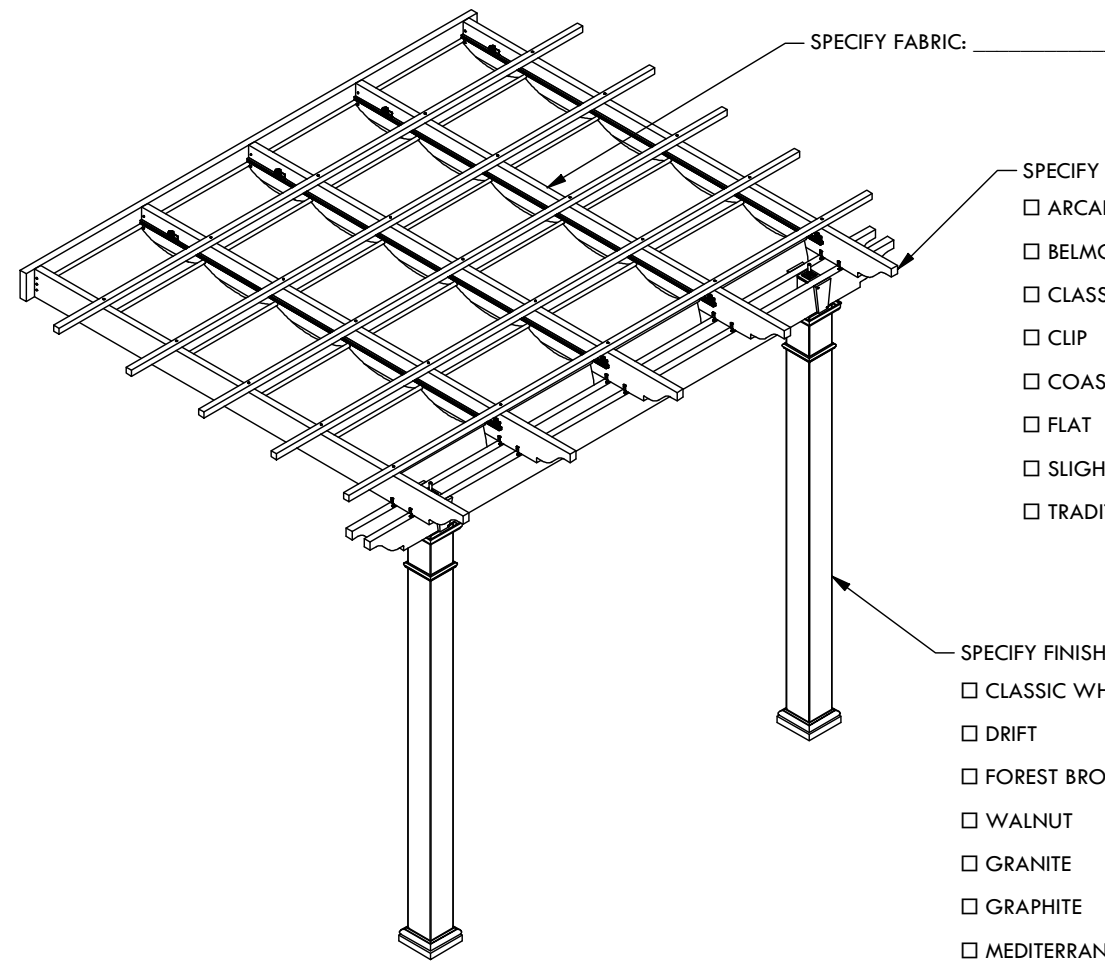
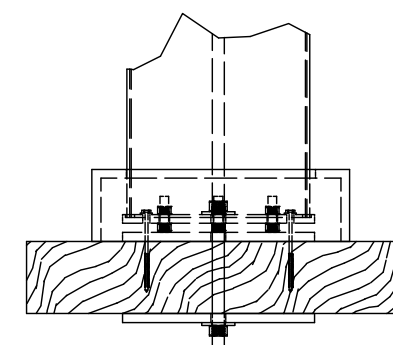


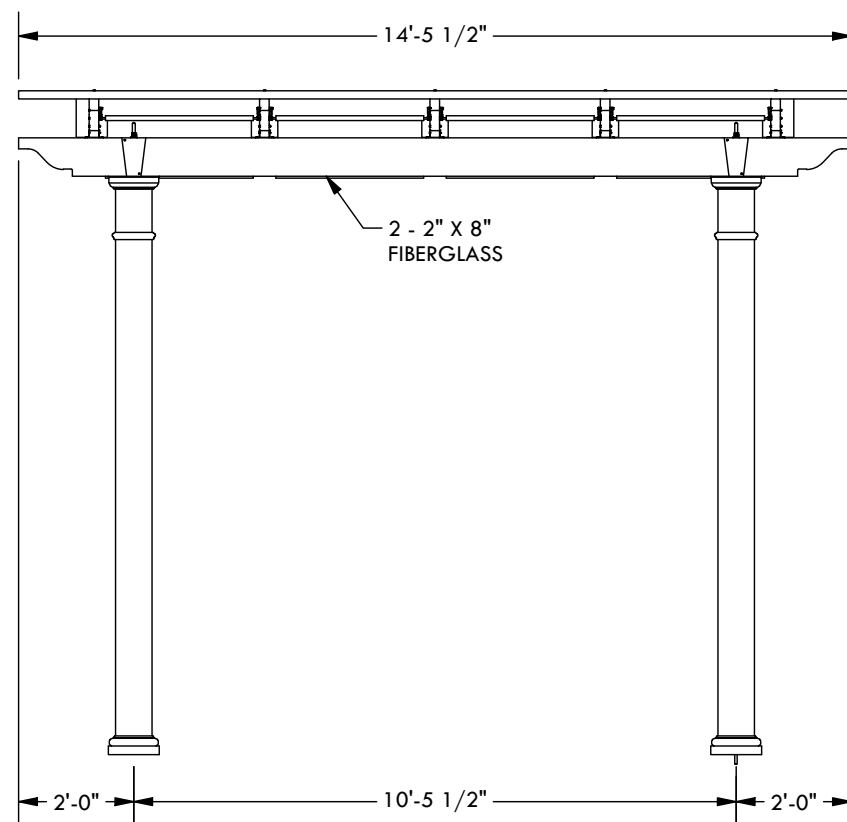
PLAN VIEW



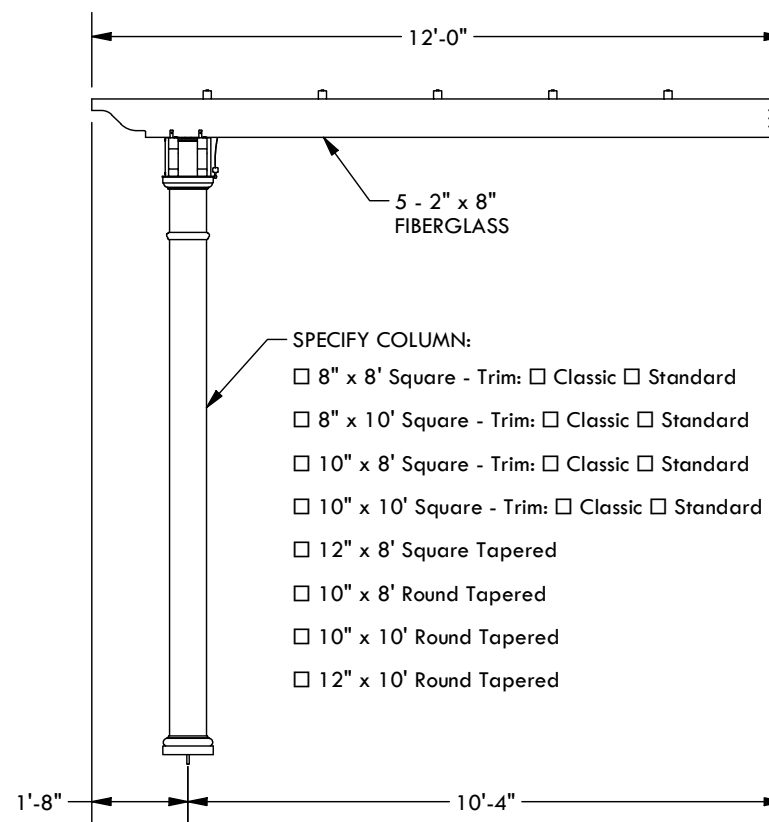
CONCRETE MOUNT



FRAMING MOUNT



WIDTH ELEVATION



PROJECTION ELEVATION

| DESCRIPTION                                       |    |                 |           |
|---|----|-----------------|-----------|
| <b>14' WIDE X 12' PROJECTION ATTACHED WINDSOR</b> |    |                 |           |
| REV   | BY | DESCRIPTION     | DATE      |
|   | CL | INITIAL RELEASE | 1/13/2026 |

© 2026 Structureworks

**STRUCTUREWORKS™**

www.structureworks.com 877.489.8064