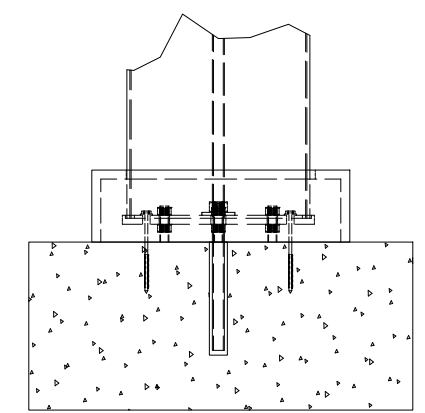
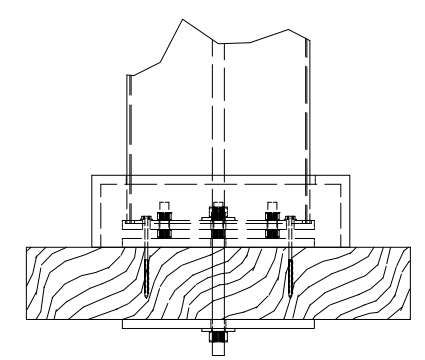


CLASSIC TRIM STANDARD TRIM

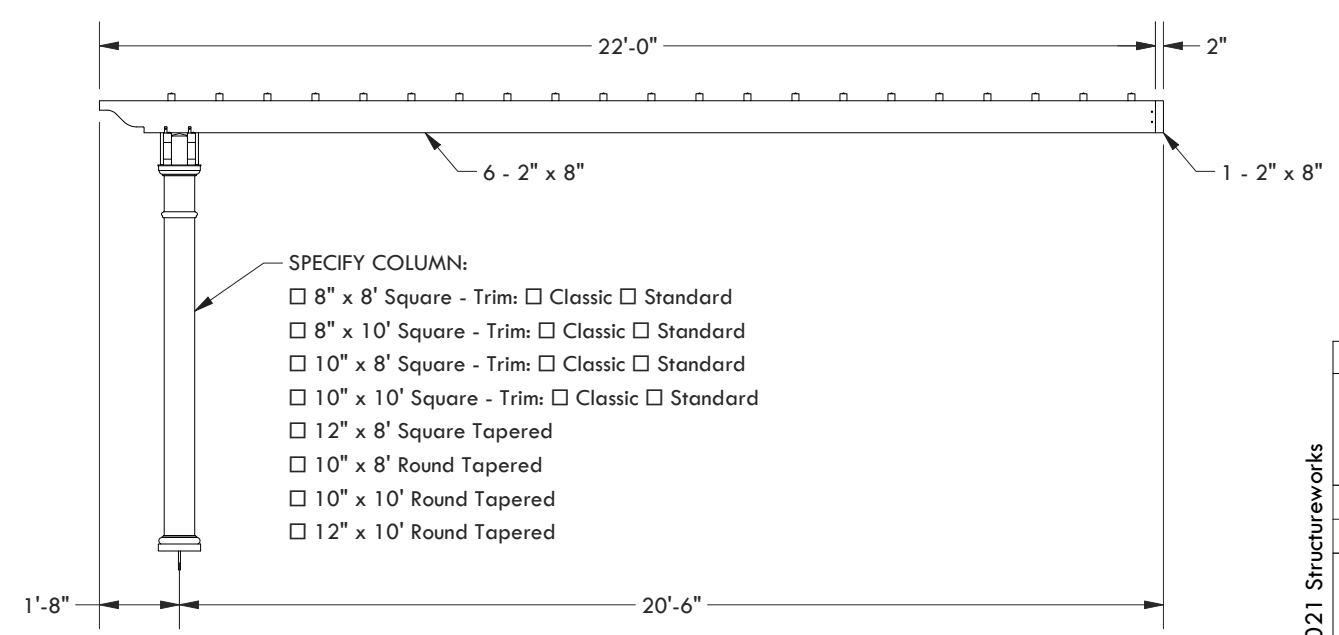
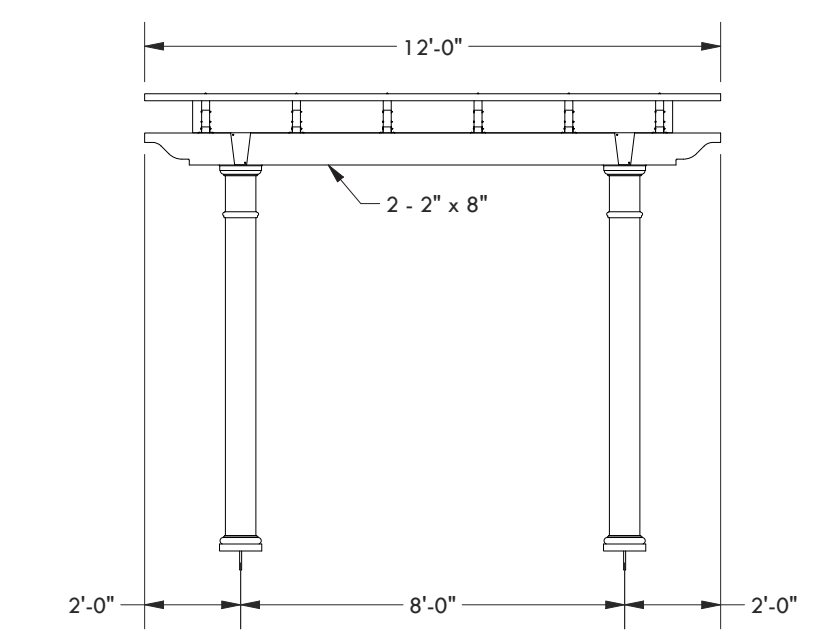
- SPECIFY BASE CONNECTION:
- CONCRETE MOUNT
 - FRAMING MOUNT



CONCRETE MOUNT



FRAMING MOUNT



DESCRIPTION			
12' WIDE X 22' PROJECTION ATTACHED WILLIAMSBURG			
REV	BY	DESCRIPTION	DATE
1	NB	INITIAL RELEASE	04/02/21

© 2021 Structureworks

STRUCTUREWORKS™

www.structureworks.com 877.489.8064