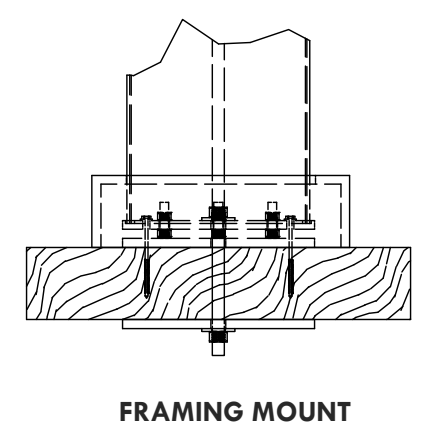
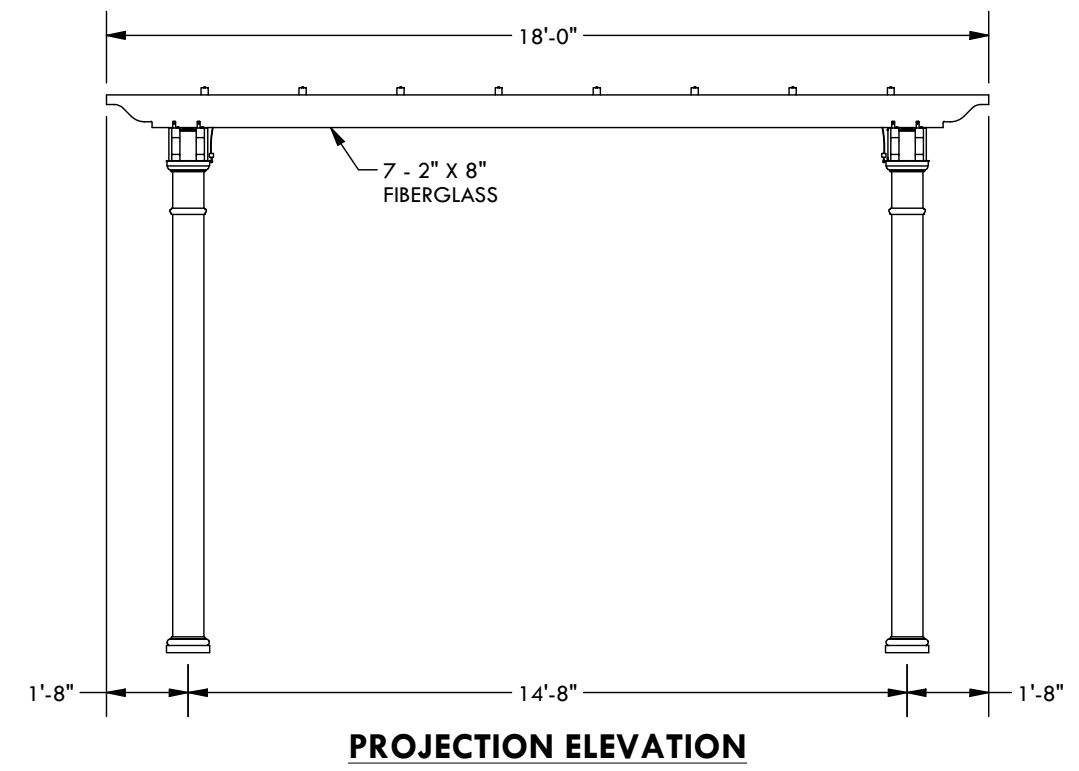
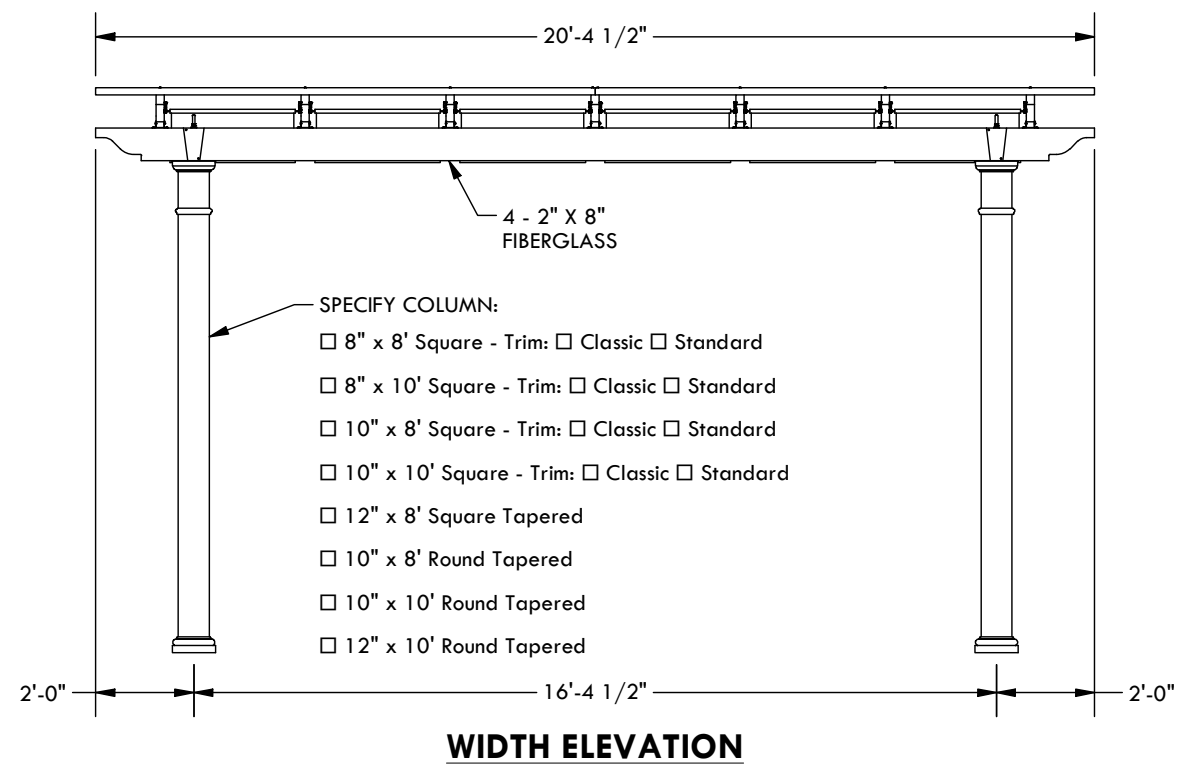
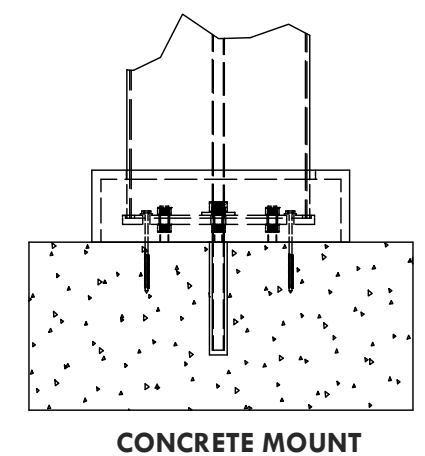


- SPECIFY END STYLE:
- ARCADIA
 - BELMONT
 - CLASSIC
 - CLIP
 - COAST
 - FLAT
 - SLIGHT
 - TRADITIONAL
- CLASSIC TRIM** **STANDARD TRIM**



DESCRIPTION			
20' WIDE X 18' PROJECTION FREESTANDING WINDSOR			
REV	BY	DESCRIPTION	DATE
	CL	INITIAL RELEASE	1/13/2026
STRUCTUREWORKS™			
www.structureworks.com 877.489.8064			

© 2026 Structureworks