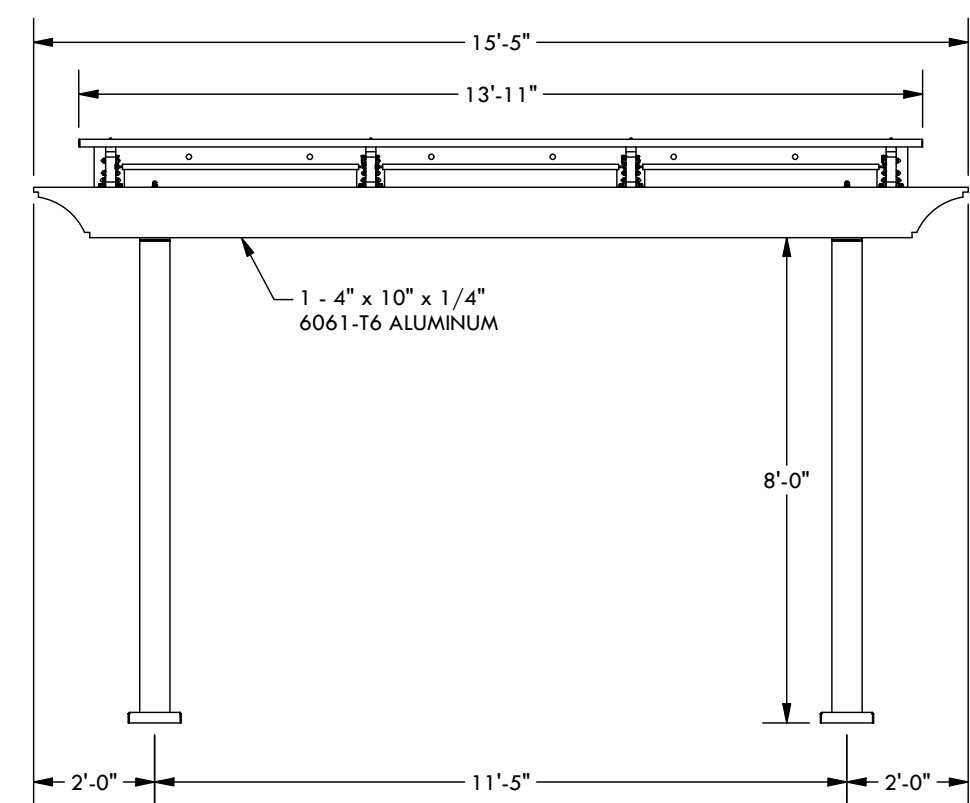
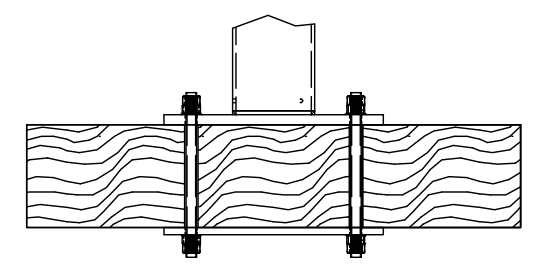
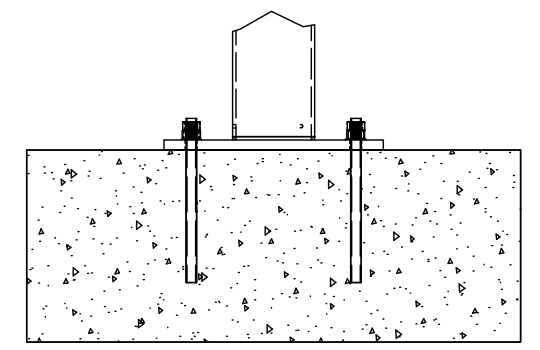
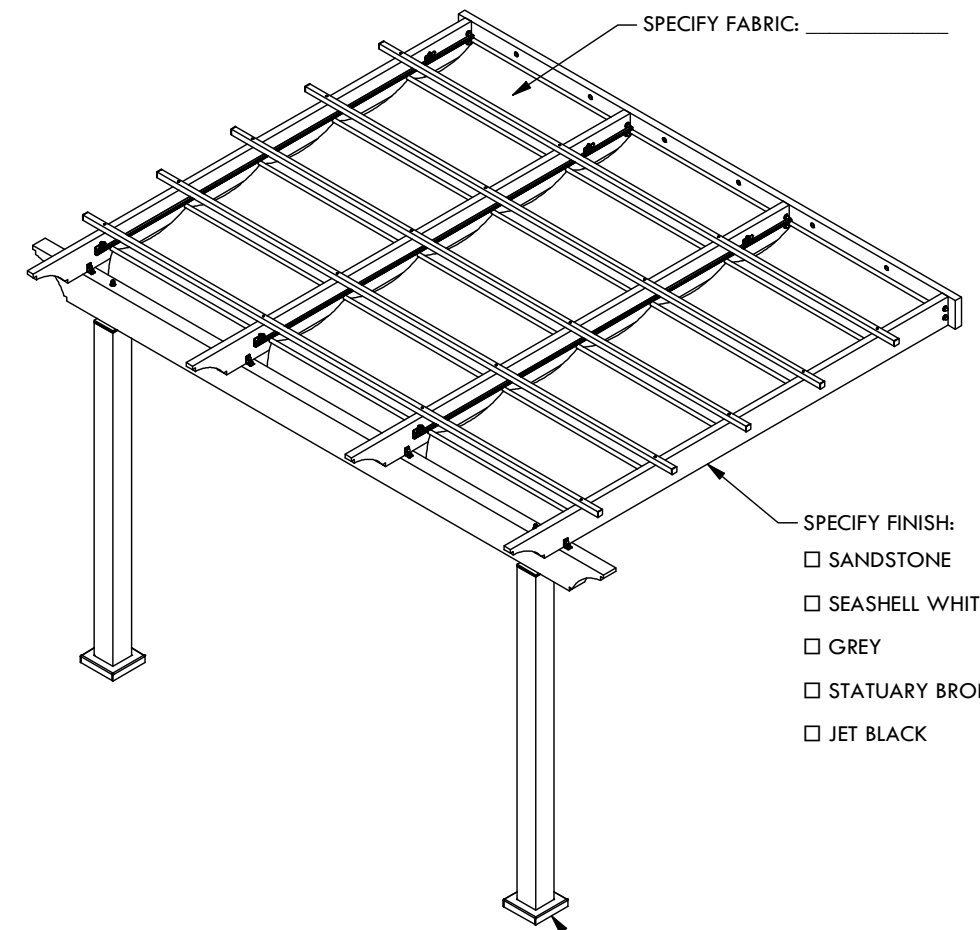
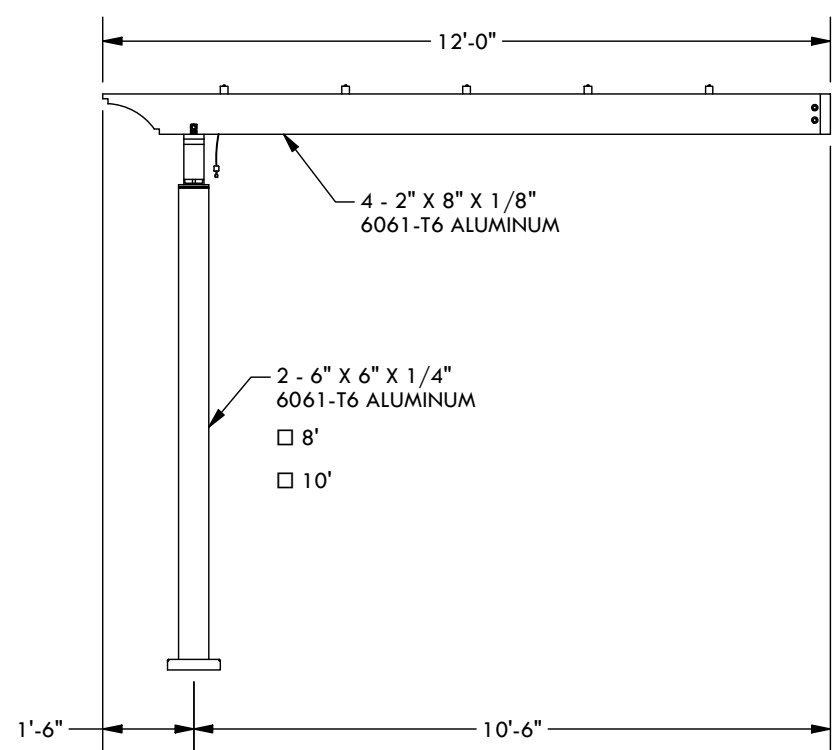


PLAN VIEW



WIDTH ELEVATION



PROJECTION ELEVATION

DESCRIPTION			
15' WIDE X 12' PROJECTION ATTACHED ATLAS			
REV	BY	DESCRIPTION	DATE
	CL	INITIAL RELEASE	1/13/2026

STRUCTUREWORKS™
 www.structureworks.com 877.489.8064

© 2026 Structureworks