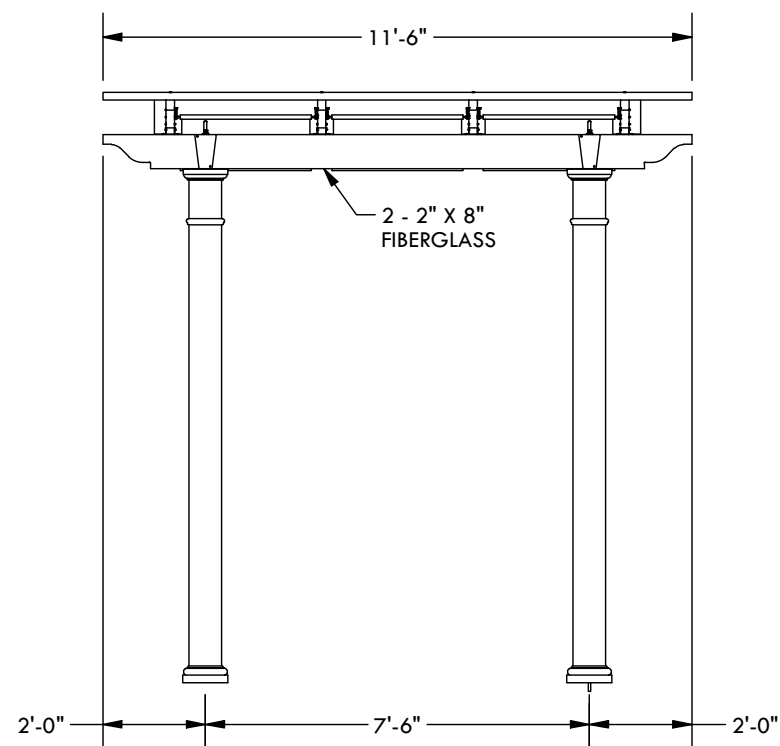
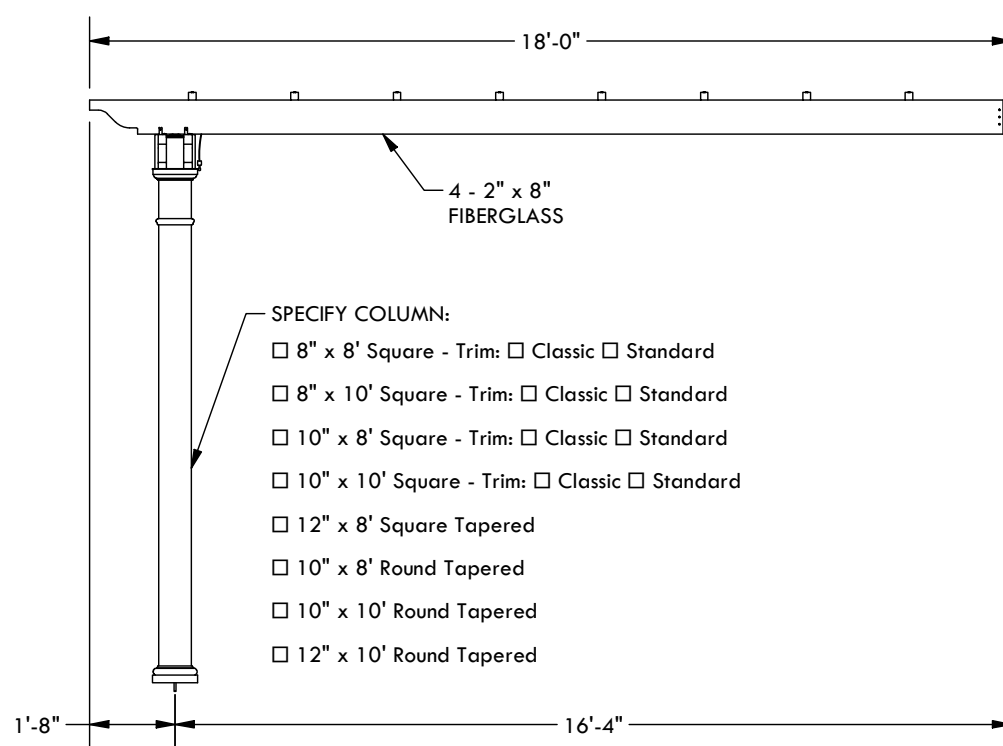


PLAN VIEW

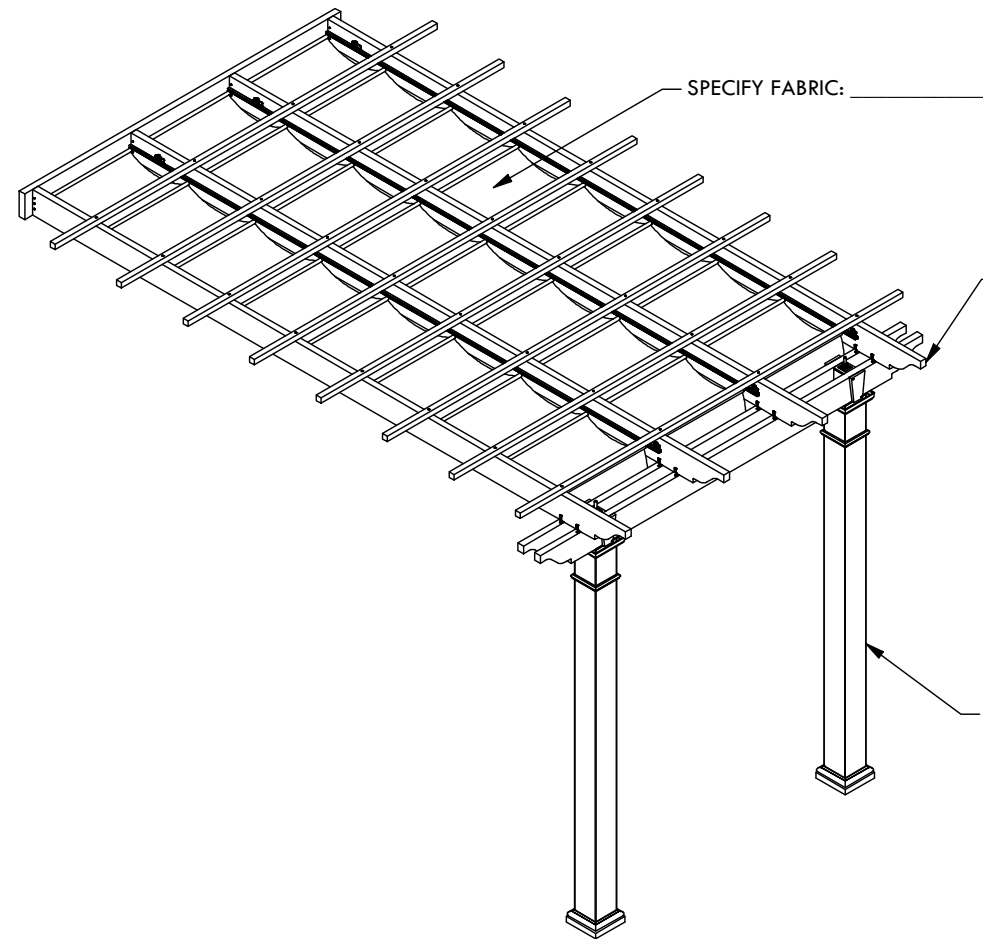


WIDTH ELEVATION

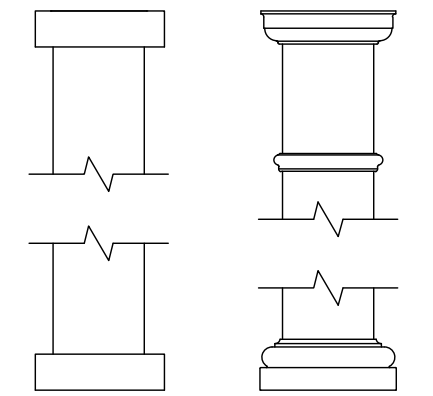


PROJECTION ELEVATION

- SPECIFY COLUMN:
- 8" x 8' Square - Trim:  Classic  Standard
  - 8" x 10' Square - Trim:  Classic  Standard
  - 10" x 8' Square - Trim:  Classic  Standard
  - 10" x 10' Square - Trim:  Classic  Standard
  - 12" x 8' Square Tapered
  - 10" x 8' Round Tapered
  - 10" x 10' Round Tapered
  - 12" x 10' Round Tapered

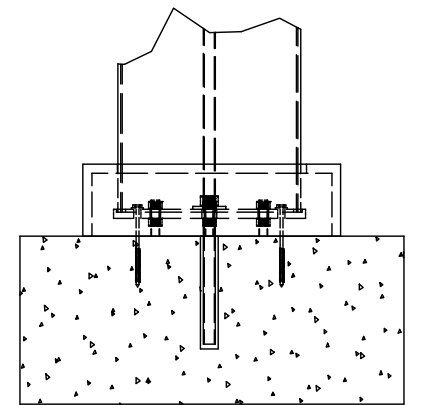


- SPECIFY END STYLE:
- ARCADIA
  - BELMONT
  - CLASSIC
  - CLIP
  - COAST
  - FLAT
  - SLIGHT
  - TRADITIONAL

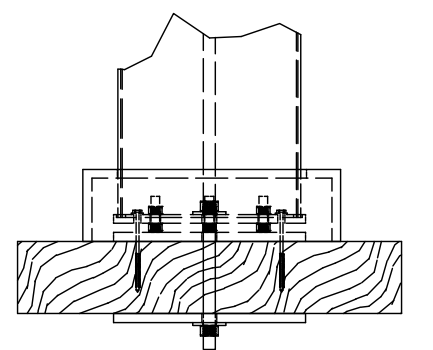


CLASSIC TRIM      STANDARD TRIM

- SPECIFY FINISH:
- CLASSIC WHITE
  - DRIFT
  - FOREST BROWN
  - WALNUT
  - GRANITE
  - GRAPHITE
  - MEDITERRANEAN
  - MIST
  - WALNUT



CONCRETE MOUNT



FRAMING MOUNT

DESCRIPTION			
<b>12' WIDE X 18' PROJECTION ATTACHED WINDSOR</b>			
REV	BY	DESCRIPTION	DATE
	CL	INITIAL RELEASE	1/13/2026

© 2026 Structureworks

**STRUCTUREWORKS™**

www.structureworks.com 877.489.8064