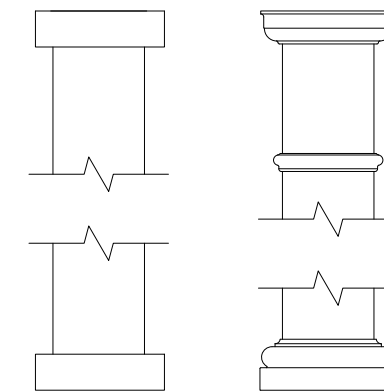


SPECIFY FINISH - STRUCTURE:
 UNPAINTED WHITE
 COLORLAST: _____

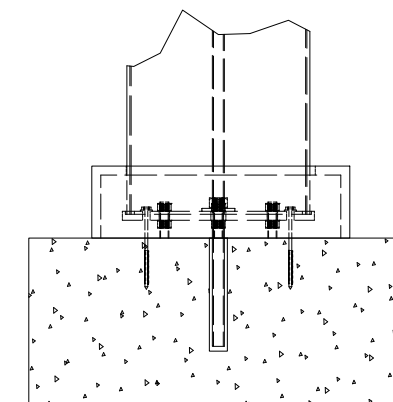
SPECIFY FINISH - COLUMN: _____

SPECIFY BASE CONNECTION:
 CONCRETE MOUNT
 FRAMING MOUNT

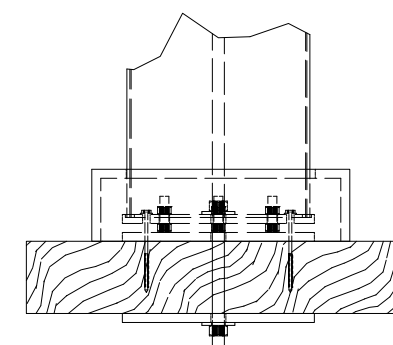


CLASSIC TRIM

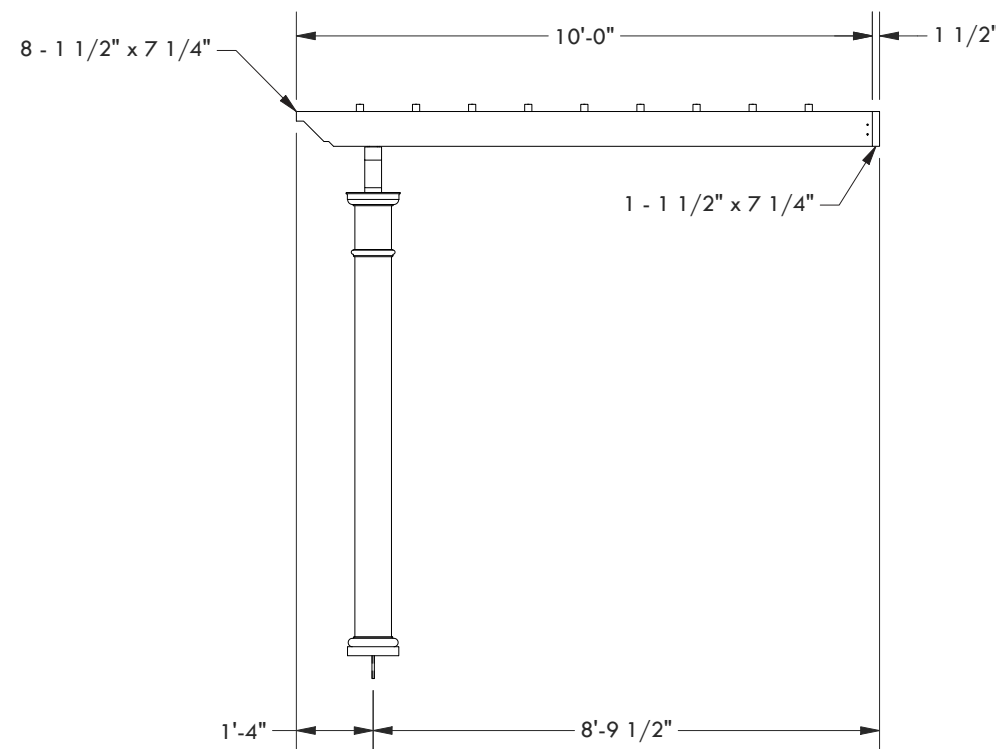
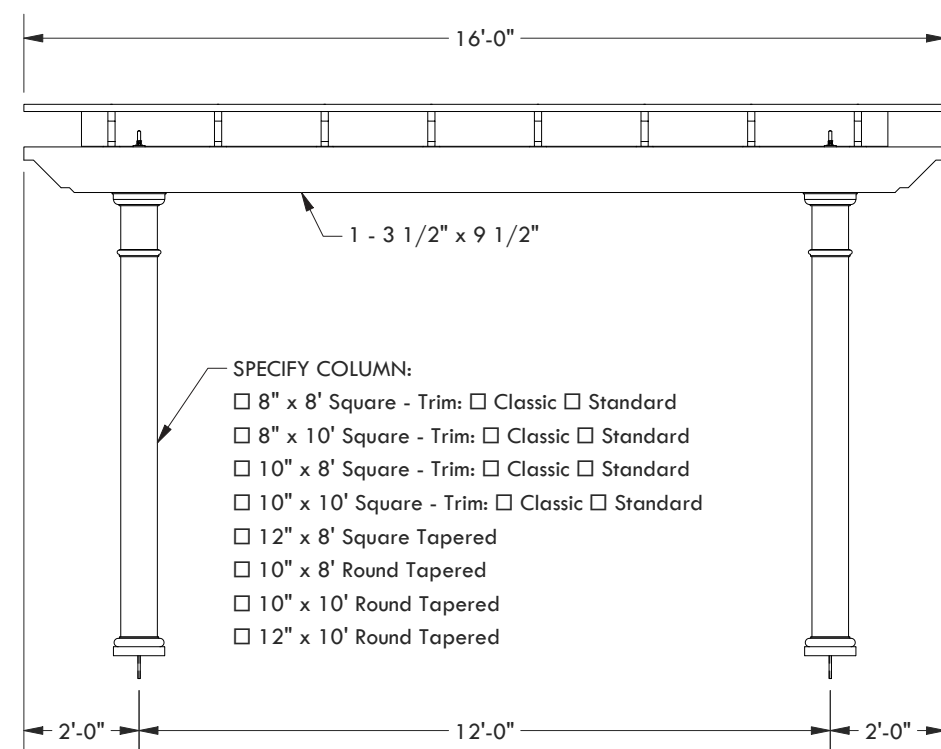
STANDARD TRIM



CONCRETE MOUNT



FRAMING MOUNT



© 2021 Structureworks

DESCRIPTION			
16' WIDE X 10' PROJECTION ATTACHED TREX PERGOLA			
REV	BY	DESCRIPTION	DATE
1	NB	INITIAL RELEASE	03/31/21

Trex® Pergola™

www.trexpergola.com 888.908.4965