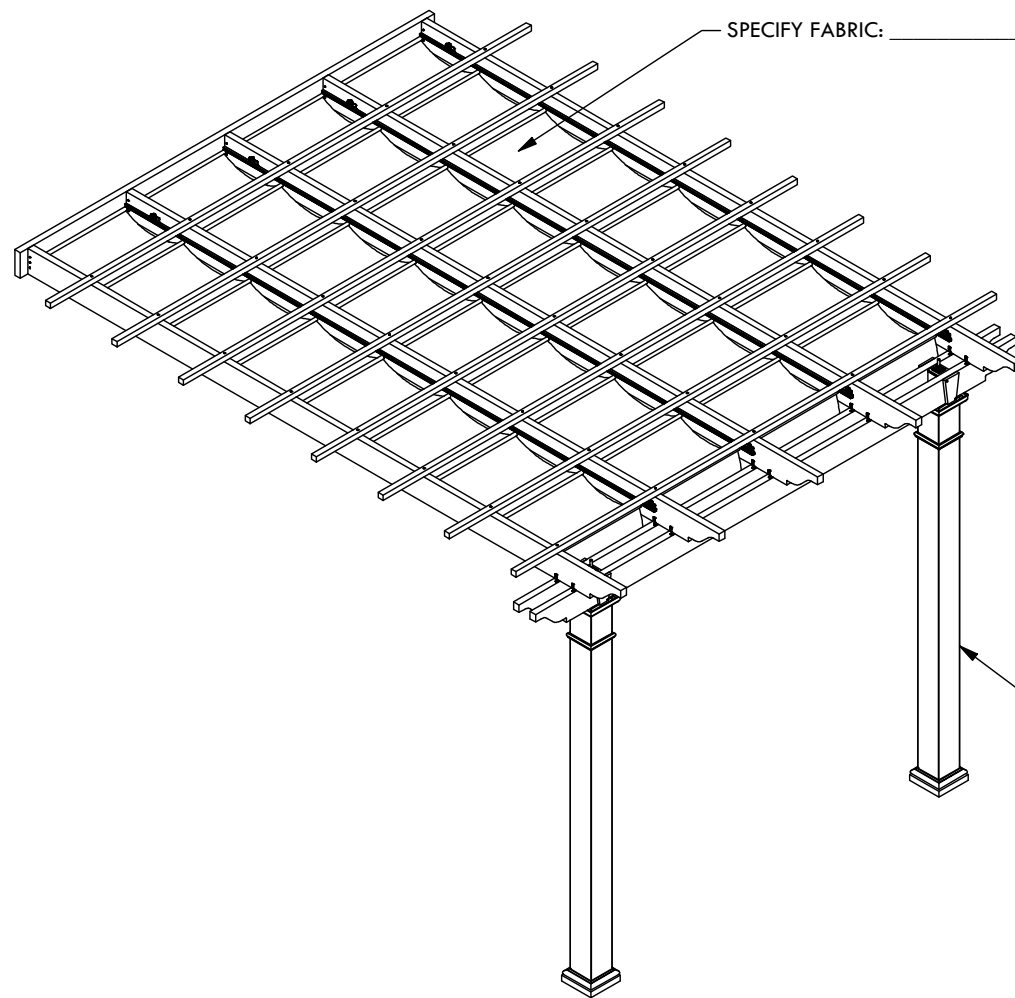
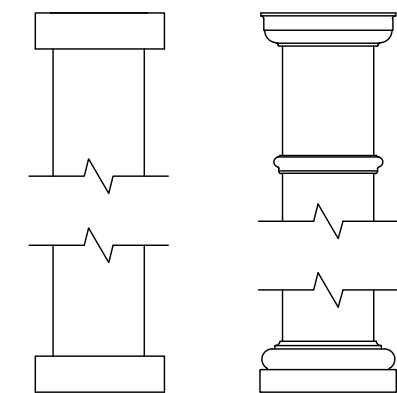


PLAN VIEW

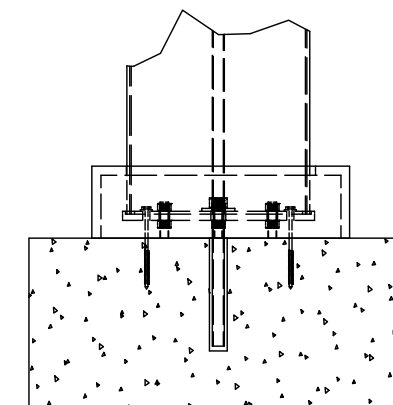


- SPECIFY END STYLE:
- ARCADIA
 - BELMONT
 - CLASSIC
 - CLIP
 - COAST
 - FLAT
 - SLIGHT
 - TRADITIONAL

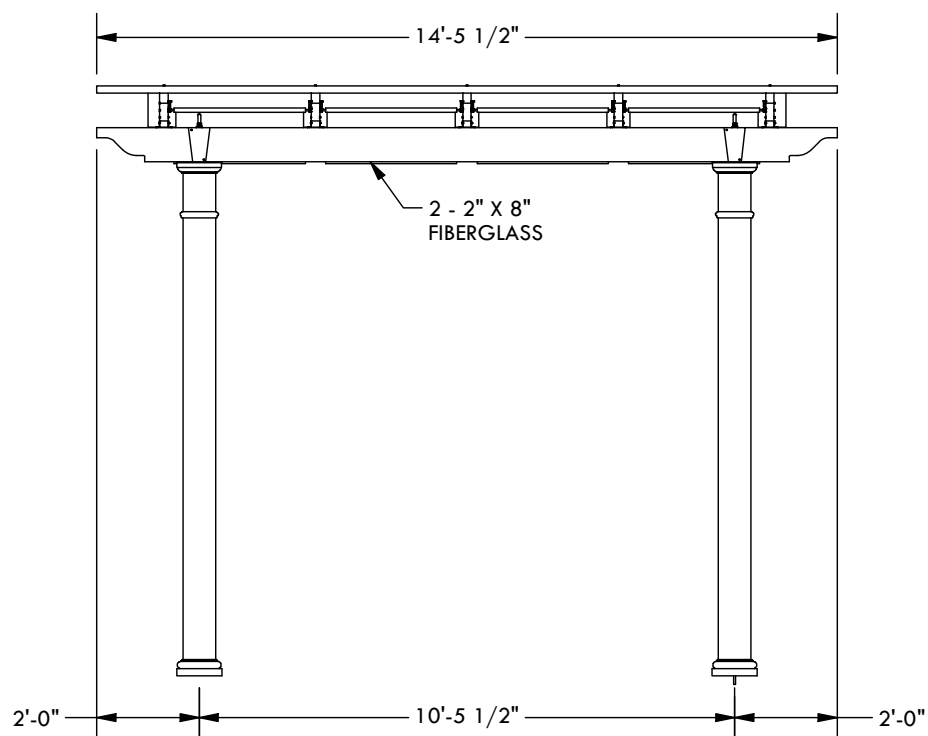


CLASSIC TRIM STANDARD TRIM

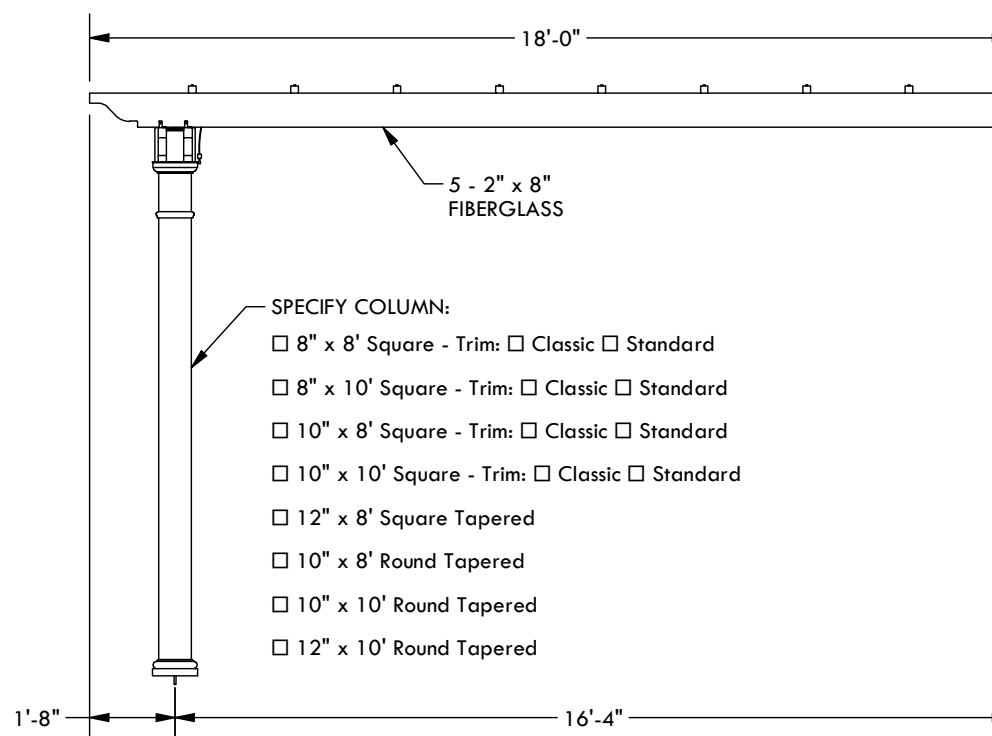
- SPECIFY FINISH:
- CLASSIC WHITE
 - DRIFT
 - FOREST BROWN
 - WALNUT
 - GRANITE
 - GRAPHITE
 - MEDITERRANEAN
 - MIST
 - WALNUT



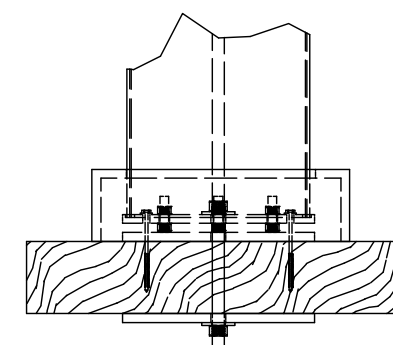
CONCRETE MOUNT



WIDTH ELEVATION



PROJECTION ELEVATION



FRAMING MOUNT

- SPECIFY COLUMN:
- 8" x 8' Square - Trim: Classic Standard
 - 8" x 10' Square - Trim: Classic Standard
 - 10" x 8' Square - Trim: Classic Standard
 - 10" x 10' Square - Trim: Classic Standard
 - 12" x 8' Square Tapered
 - 10" x 8' Round Tapered
 - 10" x 10' Round Tapered
 - 12" x 10' Round Tapered

DESCRIPTION			
14' WIDE X 18' PROJECTION ATTACHED WINDSOR			
REV	BY	DESCRIPTION	DATE
	CL	INITIAL RELEASE	1/13/2026

© 2026 Structureworks

STRUCTUREWORKS™

www.structureworks.com 877.489.8064