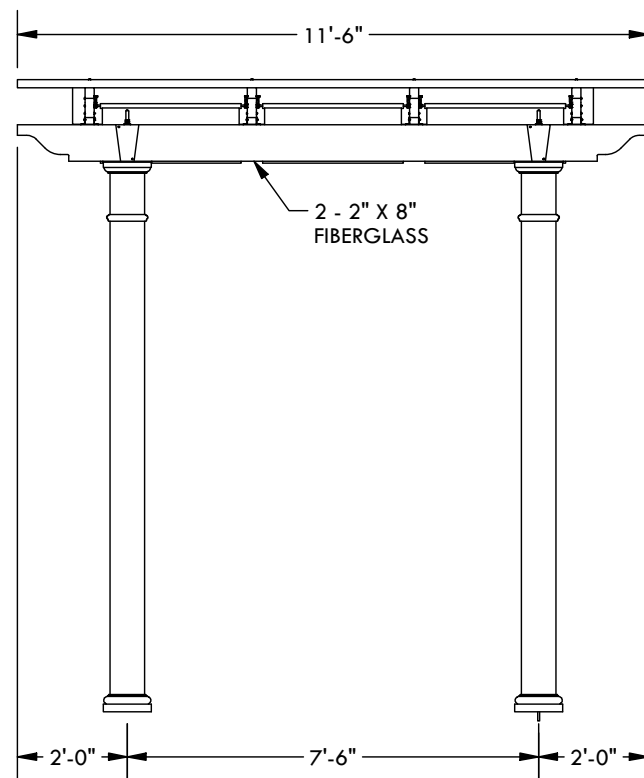
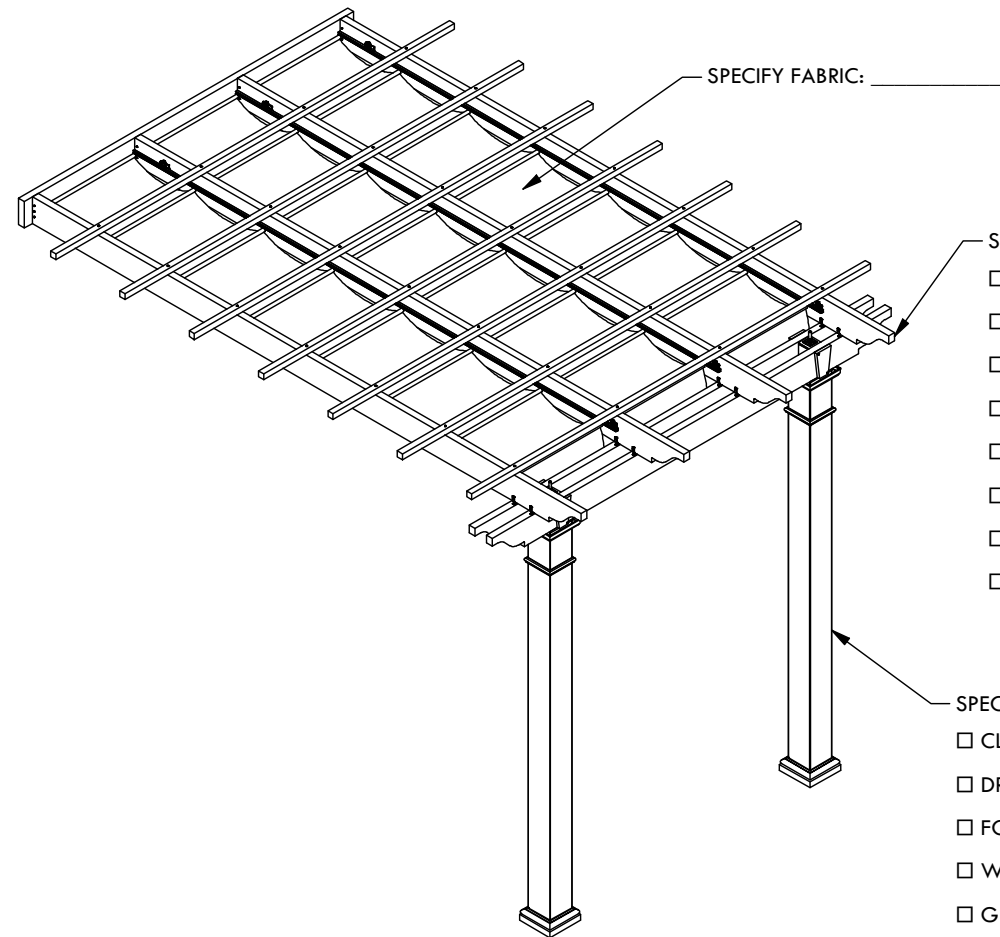


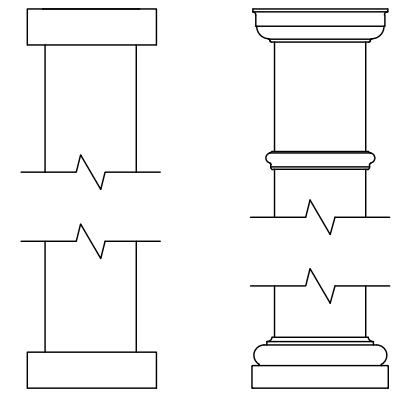
**PLAN VIEW**



**WIDTH ELEVATION**

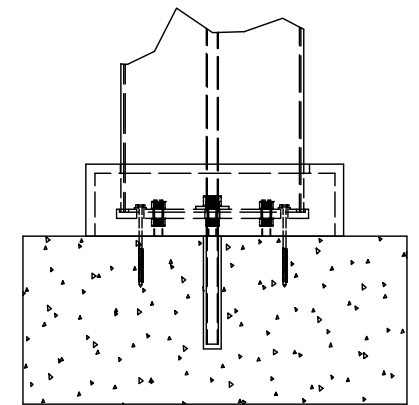


- SPECIFY END STYLE:
- ARCADIA
  - BELMONT
  - CLASSIC
  - CLIP
  - COAST
  - FLAT
  - SLIGHT
  - TRADITIONAL

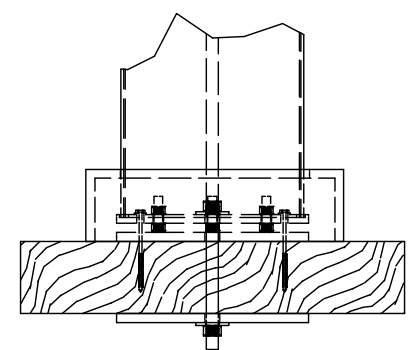


**CLASSIC TRIM    STANDARD TRIM**

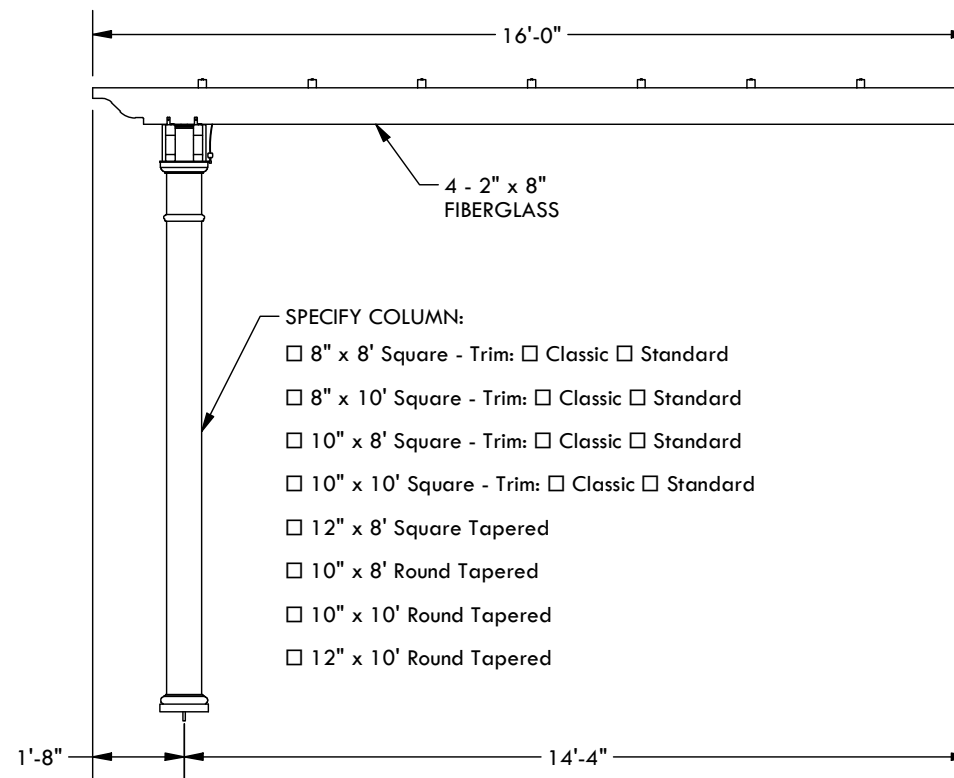
- SPECIFY FINISH:
- CLASSIC WHITE
  - DRIFT
  - FOREST BROWN
  - WALNUT
  - GRANITE
  - GRAPHITE
  - MEDITERRANEAN
  - MIST
  - WALNUT



**CONCRETE MOUNT**



**FRAMING MOUNT**



**PROJECTION ELEVATION**

DESCRIPTION			
<b>12' WIDE X 16' PROJECTION ATTACHED WINDSOR</b>			
REV	BY	DESCRIPTION	DATE
	CL	INITIAL RELEASE	1/13/2026

© 2026 Structureworks

**STRUCTUREWORKS™**

www.structureworks.com 877.489.8064