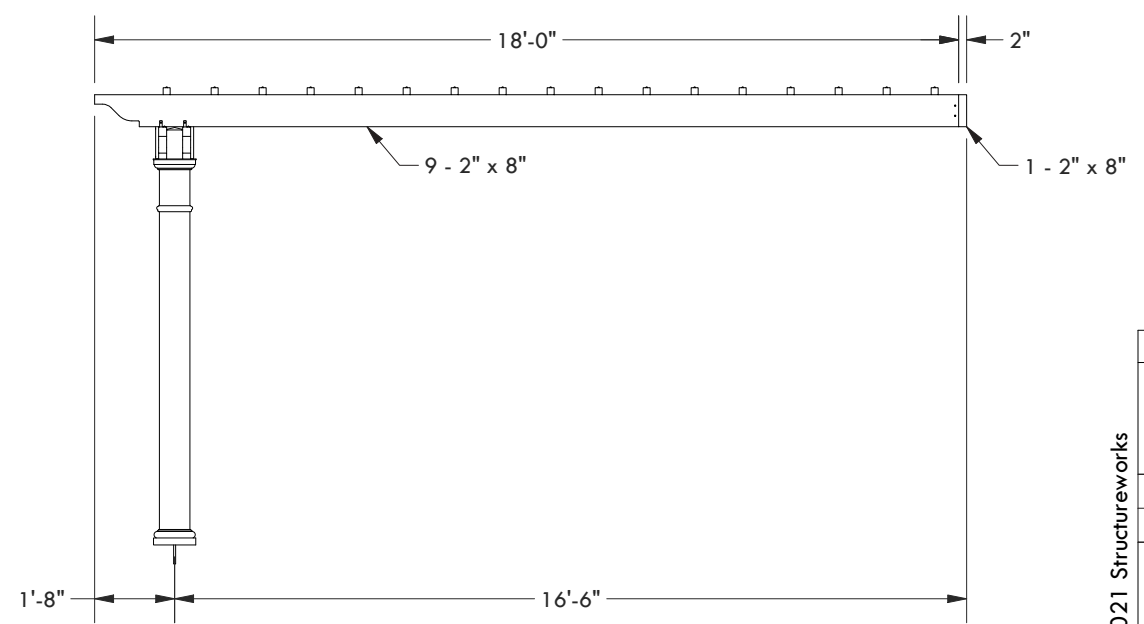
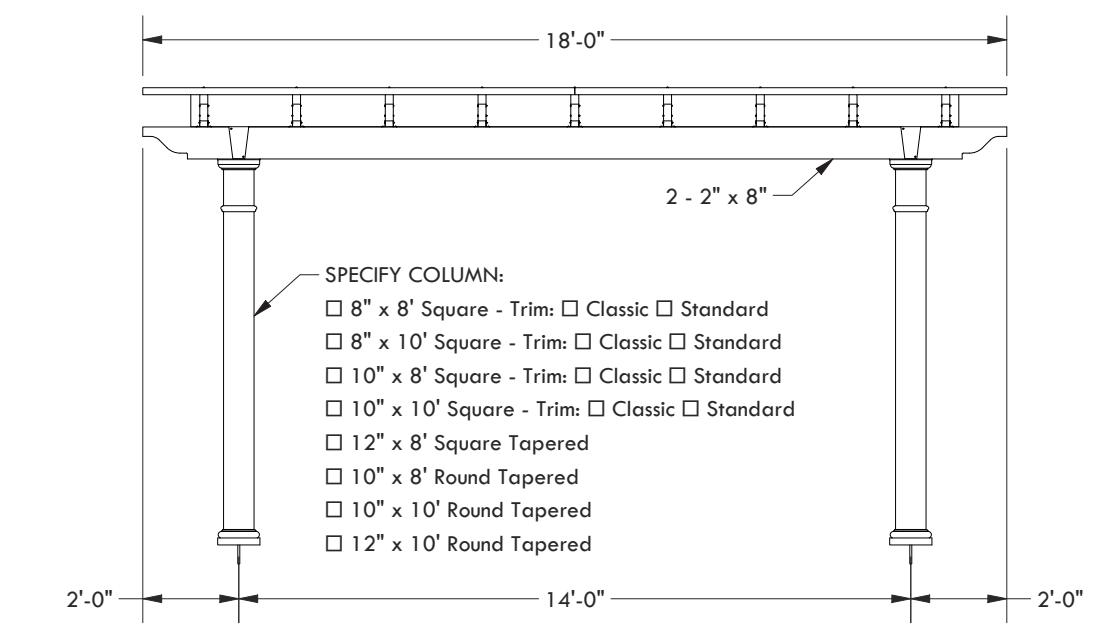
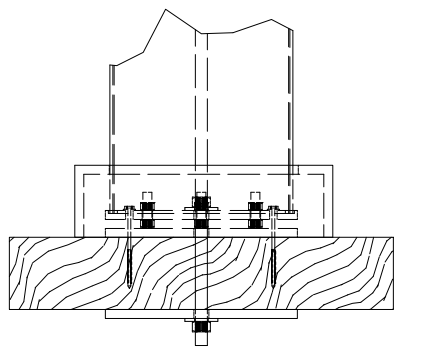
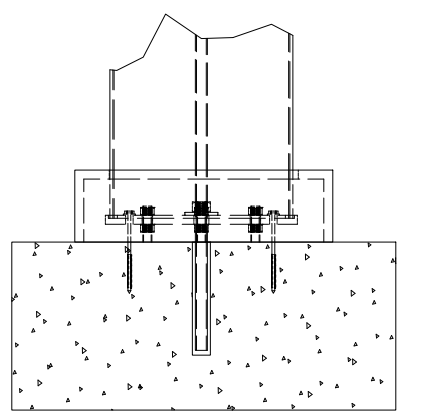


SPECIFY BASE CONNECTION:
 CONCRETE MOUNT
 FRAMING MOUNT



DESCRIPTION			
18' WIDE X 18' PROJECTION ATTACHED WILLIAMSBURG			
REV	BY	DESCRIPTION	DATE
1	NB	INITIAL RELEASE	04/02/21

© 2021 Structureworks

STRUCTUREWORKS™

www.structureworks.com 877.489.8064