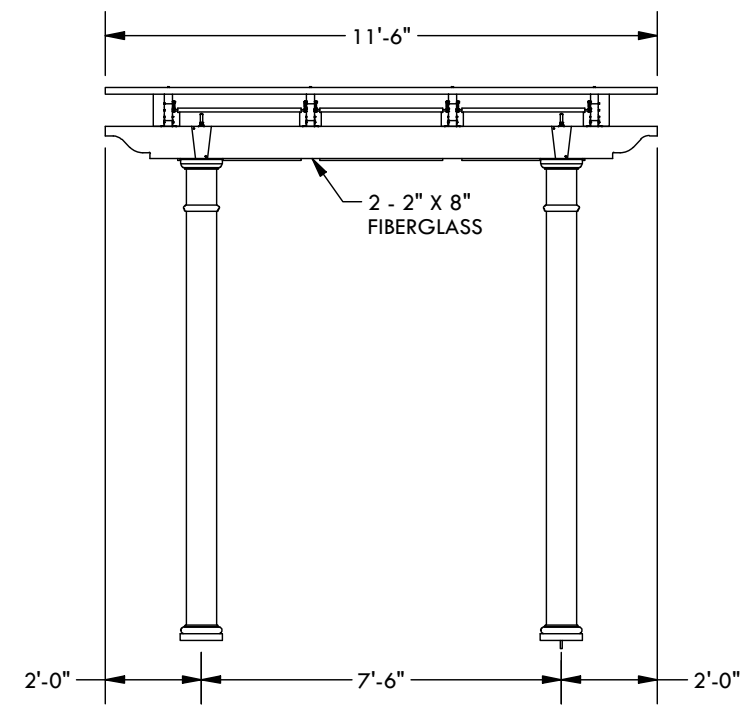
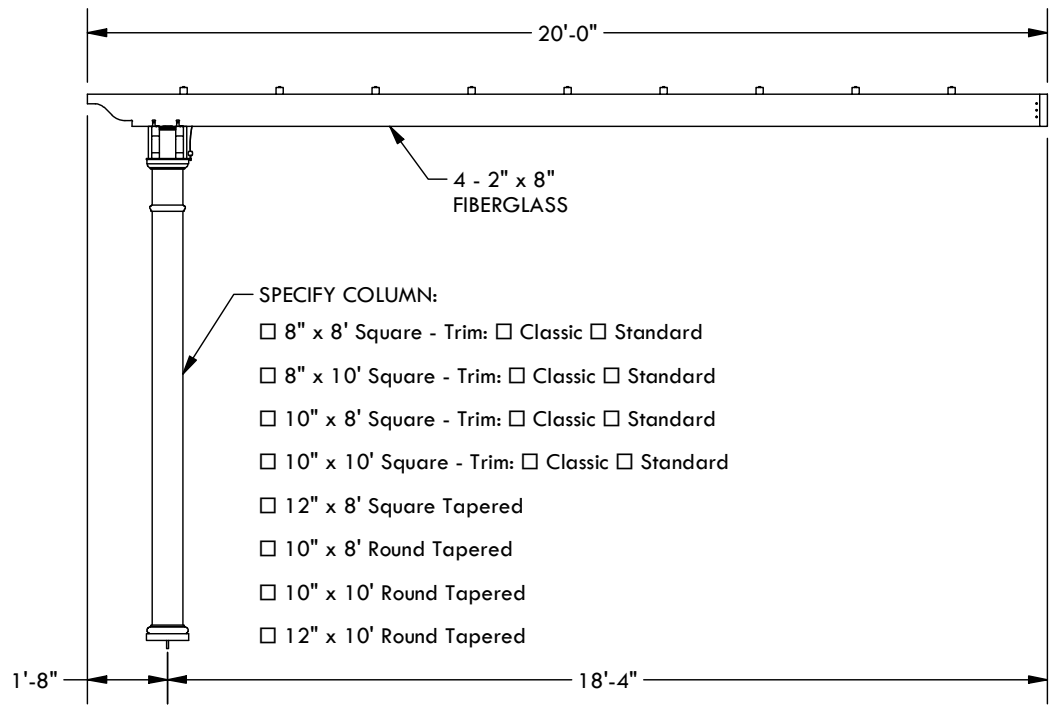


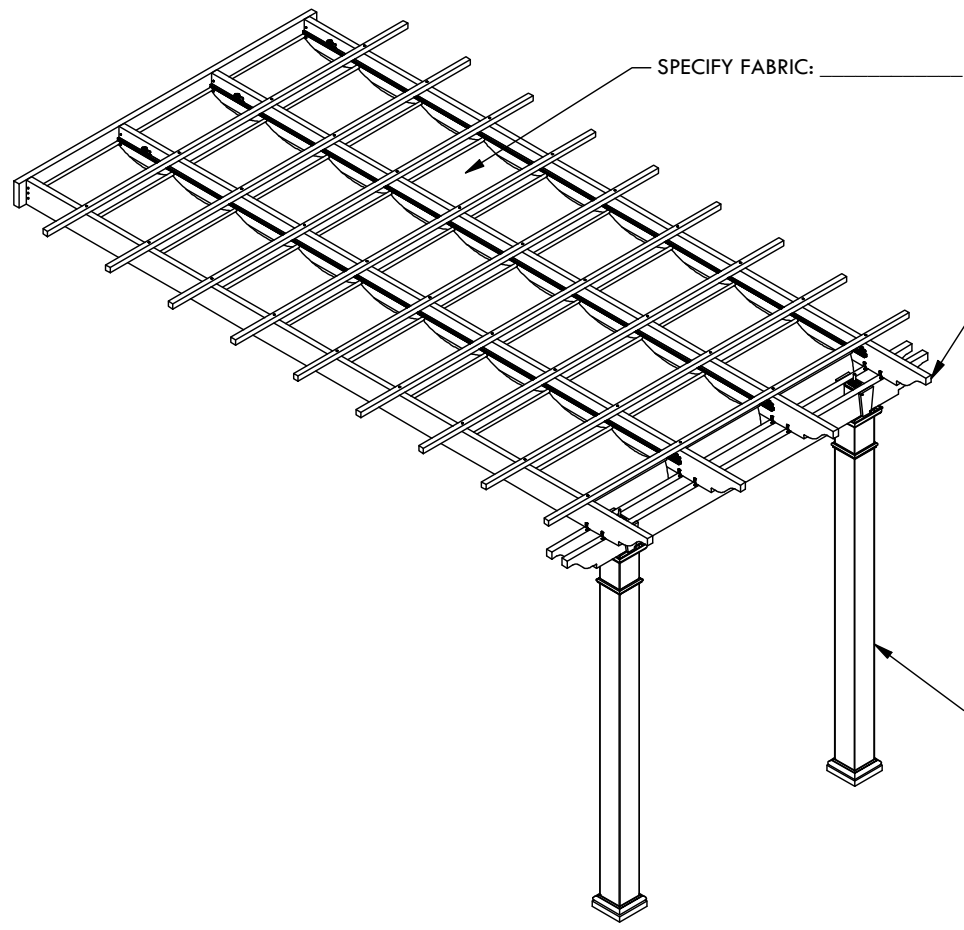
PLAN VIEW



WIDTH ELEVATION

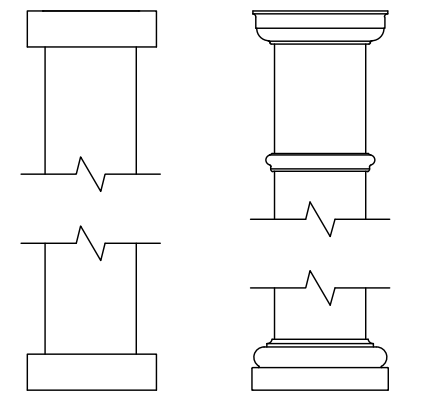


PROJECTION ELEVATION

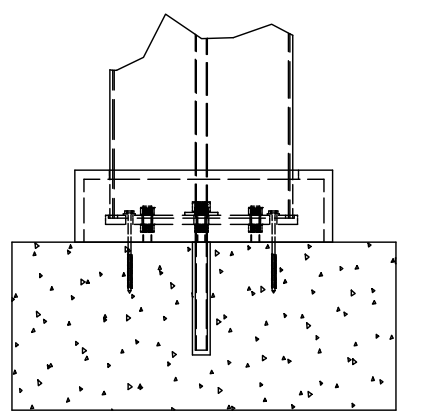


- SPECIFY END STYLE:
- ARCADIA
 - BELMONT
 - CLASSIC
 - CLIP
 - COAST
 - FLAT
 - SLIGHT
 - TRADITIONAL

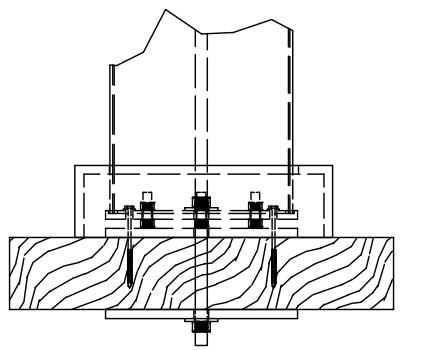
- SPECIFY FINISH:
- CLASSIC WHITE
 - DRIFT
 - FOREST BROWN
 - WALNUT
 - GRANITE
 - GRAPHITE
 - MEDITERRANEAN
 - MIST
 - WALNUT



CLASSIC TRIM STANDARD TRIM



CONCRETE MOUNT



FRAMING MOUNT

DESCRIPTION			
12' WIDE X 20' PROJECTION ATTACHED WINDSOR			
REV	BY	DESCRIPTION	DATE
	CL	INITIAL RELEASE	1/13/2026

© 2026 Structureworks