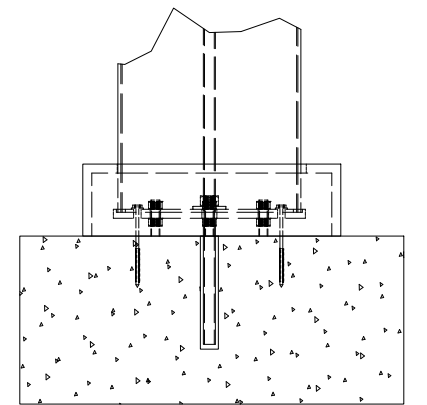
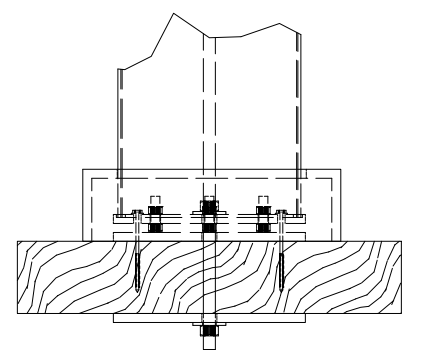


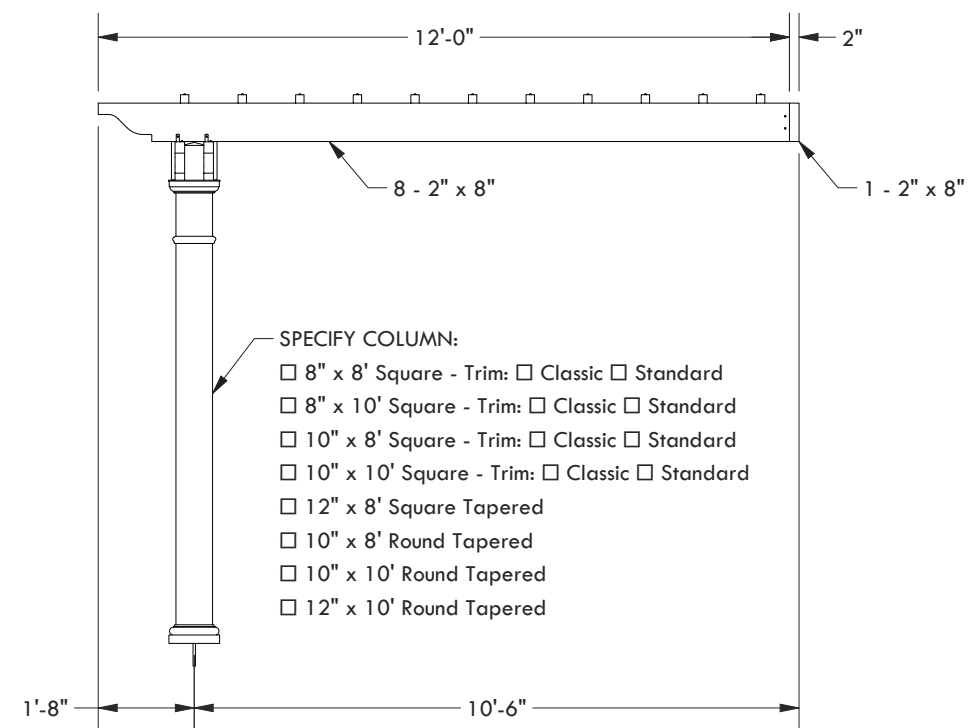
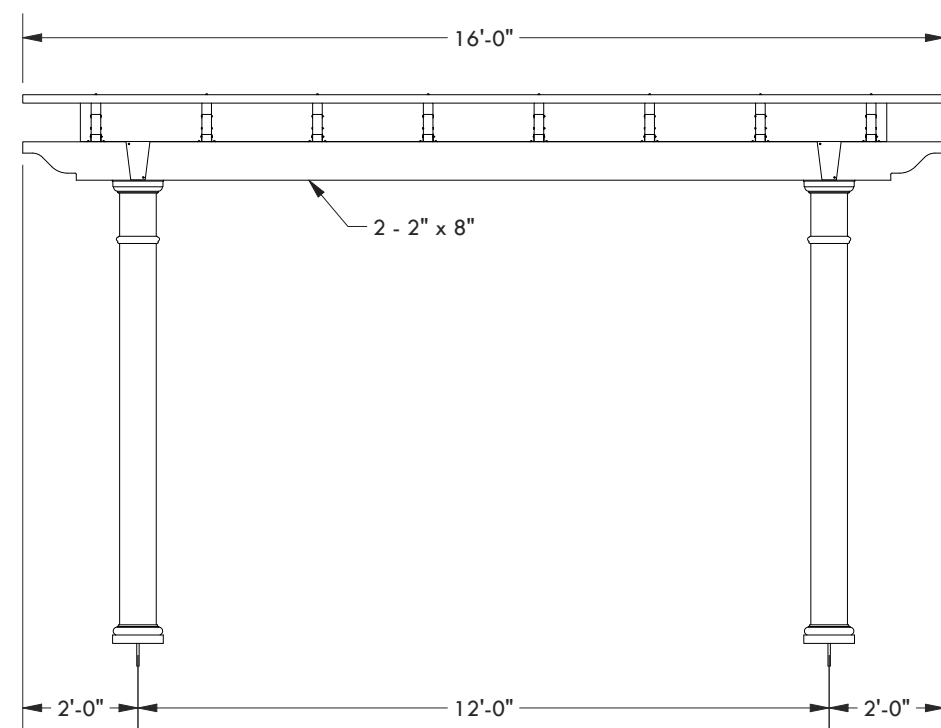
CLASSIC TRIM STANDARD TRIM



CONCRETE MOUNT



FRAMING MOUNT



DESCRIPTION			
16' WIDE X 12' PROJECTION ATTACHED WILLIAMSBURG			
REV	BY	DESCRIPTION	DATE
1	NB	INITIAL RELEASE	04/02/21

STRUCTUREWORKSTM
www.structureworks.com 877.489.8064

© 2021 Structureworks